

SI Programmable Drivers

- Provides Aux Power
- Programmable Current and Dimming Control
- Smooth Dimming, Dim to Off

- Phase and 0-10V Dimming

CONSTANT CURRENT - 120V-277V AC								
Wattage	Output	Part Number	Input Voltage	Output Current	Output Voltage (min.)	Output Voltage (max.)	Dimming	Form Factor
15W	Linear	DS15W3001000CMB1UDSI	120V - 277V AC	300 -1000mA	9V	20V	Tri-Mode	MB1/F4
15W	Linear	DS15W120500C2050F4UDSI		120-500mA	20V	50V	Tri-Mode	MB1/F4
45W	Linear	DS45W6001500C2450SM2UDSI		600-1500mA	24V	50V	Tri-Mode	SM2

UNIDRIVER[®] Constant Current

- Requires external power supply 12V - 24V DC
- True-Tri-Mode dimming (ELV, TRIAC, 0-10V)
- Smooth Dimming, 100%-0.1%

- Universal Input Voltage (120 - 277V)
- 100mA - 5000mA Constant Current Options

CONSTANT CURRENT - 120V-277V AC								
Wattage	Output	Part Number	Input Voltage	Output Current	Output Voltage (min.)	Output Voltage (max.)	Dimming	Form Factor
3W	Linear	DS3W150C1520MB1UD-0000	120V-277V AC	150mA	15V	20V	Tri Mode	MB1
5W	Linear	DS5W300C081603UD-0000		300mA	8V	16V	Tri Mode	D3
5W	Linear	DS5W350C1013T11UD-0000		350mA	10V	13V	Tri Mode	T11
6W	Linear	DS6W120C3550MB1UD-0000		120mA	35V	50V	Tri Mode	MB1
6W	Linear	DS6W150C2542WB1UD-0000		150mA	25V	42V	Tri Mode	MB1
6W	Linear	DS6W180C1833MB1UD-0000		180mA	18V	33V	Tri Mode	MB1
6W	Linear	DS6W200C1530MB1UD-0000		200mA	15V	30V	Tri Mode	MB1
6W	Linear	DS6W230C1526MB1UD-0000		230mA	15V	26V	Tri Mode	MB1
6W	Linear	DS6W280C1524MB1UD-0000		280mA	15V	24V	Tri Mode	MB1
6W	Linear	DS6W300C1020MB1UD-0000		300mA	10V	20V	Tri Mode	MB1
6W	Linear	DS6W500C0512MB1UD-0000	120V-277V AC	500mA	05V	15V	Tri Mode	MB1
6W	Linear	DS6W700C0509MB1UD-0000		700mA	05V	09V	Tri Mode	MB1
7W	Linear	DS7W500C0715MB1UD-0000		500mA	07V	15V	Tri Mode	MB1
8W	Linear	DS8W150C3050D3UD-0000		150mA	30V	50V	Tri Mode	D3
8W	Linear	DS8W150C3050MB1UD-0000		150mA	30V	50V	Tri Mode	MB1
8W	Linear	DS8W300C1528D3UD-0000		300mA	15V	28V	Tri Mode	D3

- Requires external power supply 12V - 24V DC
- True-Tri-Mode dimming (ELV, TRIAC, 0-10V)
- Smooth Dimming, 100%-0.1%

- Universal Input Voltage (120 - 277V)
- 100mA - 5000mA Constant Current Options

CONSTANT CURRENT - 120V-277V AC								
Wattage	Output	Part Number	Input Voltage	Output Current	Output Voltage (min.)	Output Voltage (max.)	Dimming	Form Factor
8W	Linear	DS8W500C1015D3UD-0000	120V-277V AC	500mA	10V	15V	Tri Mode	D3
10W	Linear	DS10W200C3044MB1UD-0000		200mA	30V	44V	Tri Mode	MB1
10W	Linear	DS10W250C2040MB1UD-0000		250mA	20V	40V	Tri Mode	MB1
10W	Linear	DS10W250C2040UD-3002		250mA	20V	40V	Tri Mode	SM1
10W	Linear	DS10W250C2538MB1UD-0000		250mA	25V	38V	Tri Mode	MB1
10W	Linear	DS10W250C2538SM1UD-0000		250mA	25V	38V	Tri Mode	SM1
10W	Linear	DS10W500C1020MB1UD-0000		500mA	10V	20V	Tri Mode	MB1
12W	Linear	DS12W0250C2048MB1UD-0000		250mA	20V	48V	Tri Mode	MB1
12W	Linear	DS12W250C2048BFUD-0000		250mA	20V	48V	Tri Mode	BF
12W	Linear	DS12W250C2240DR2UD-0000		250mA	22V	40V	Tri Mode	R2
12W	Linear	DS12W0280C2543MB1UD-0000		280mA	25V	43V	Tri Mode	MB1
12W	Linear	DS12W300C2040MB1UD-0000		300mA	20V	40V	Tri Mode	MB1
12W	Linear	DS12W300C2642SIUDBF & SIUD		300mA	26V	42V	Tri Mode	BF
12W	Linear	DS12W330C2436T11UD-0000		330mA	24V	36V	Tri Mode	T11
12W	Linear	DS12W330C2436UD-3002		330mA	24V	36V	Tri Mode	SM1
12W	Linear	DS12W350C1534MB1UD-0000 V.1		350mA	15V	34V	Tri Mode	MB1
12W	Linear	DS12W350C1536MB1UDT24-0000		350mA	15V	36V	Tri Mode	T24
12W	Linear	DS12W350C2534SM1UD-0000	350mA	25V	34V	Tri Mode	SM1	
12W	Linear	DS12W0500C24MB1UD	120V-277V AC	500mA			Tri Mode	MB1
12W	Linear	DS12W500C1524SM1UD-0000		500mA	15V	24V	Tri Mode	SM1
12W	Linear	DS12W550C1522MB1UD-0000		550mA	15V	22V	Tri Mode	MB1
12W	Linear	DS12W1000C1012MB1UD-0000		1000mA	10V	12V	Tri Mode	MB1
15W	Linear	DS15W300C2542SM1UD-0000		300mA	15V	42V	Tri Mode	SM1
15W	Linear	DS15W350C2042SM1UD-3002		350mA	20V	42V	Tri Mode	SM1
15W	Linear	DS15W350C2542B9UD-0000		350mA	25V	42V	Tri Mode	B9
15W	Linear	DS15W350C2542MB1UD-0001		350mA	25V	42V	Tri Mode	MB1

- Requires external power supply 12V - 24V DC
- True-Tri-Mode dimming (ELV, TRIAC, 0-10V)
- Smooth Dimming, 100%-0.1%

- Universal Input Voltage (120 - 277V)
- 100mA - 5000mA Constant Current Options

CONSTANT CURRENT - 120V-277V AC								
Wattage	Output	Part Number	Input Voltage	Output Current	Output Voltage (min.)	Output Voltage (max.)	Dimming	Form Factor
15W	Linear	DS15W350C2542T11UD-0000	120V-277V AC	350mA	25V	42V	Tri Mode	T11
15W	Linear	DS15W350C12042-3002		350mA			Tri Mode	SM1
15W	Linear	DS15W500C1530MB1UD-0000		500mA	15V	30V	Tri Mode	MB1
15W	Linear	DS15W120500C2050MB1UDNFC-0000		500mA	20V	50V	Tri Mode	MB1
15W	Linear	DS15W700C1122SM1UD-3002		700mA	11V	22V	Tri Mode	SM1
15W	Linear	DS15W700C1522F2UD-0000		700mA	15V	22V	Tri Mode	F2
15W	Linear	DS15W3001000C0920MB1UDNFC-0000		1000mA	09V	20V	Tri Mode	MB1
16W	Linear	DS16W350C3046MB1UD-0000		350mA	30V	46V	Tri Mode	MB1
16W	Linear	DS16W400C2040R3UD-0000		400mA	20V	40V	Tri Mode	R3
16W	Linear	DS16W400C2740SM1UD-3002		400mA	27V	40V	Tri Mode	SM1
18W	Linear	DS18W400C2545UD-3002		400mA	25V	45V	Tri Mode	SM1
18W	Linear	DS18W400C3045SM1UD-3002		400mA	30V	45V	Tri Mode	SM1
18W	Linear	DS18W420C2742MB2UD-0000		420mA	27V	42V	Tri Mode	MB2
18W	Linear	DS18W420C2742MB2UD-3001		420mA	27V	42V	Tri Mode	MB2
20W	Linear	DS20W0350C3058L12UD-0000		350mA	30V	58V	Tri Mode	L12
20W	Linear	DS20W350C3058SM1UD-0000		350mA	30V	58V	Tri Mode	SM1
20W	Linear	DS20W350C3058MB2UD-0000	350mA	30V	58V	Tri Mode	MB2	
20W	Linear	DS20W350C3058F2UD-0000	350mA	30V	58V	Tri Mode	F2	
20W	Linear	DS20W400C2542BF1UD-0000	400mA	25V	42V	Tri Mode	BF1	
20W	Linear	DS20W400C2542SM1UD-0000	400mA	25V	42V	Tri Mode	SM1	
20W	Linear	DS20W400C3652SM1UD-3002	400mA	36V	52V	Tri Mode	SM1	
20W	Linear	DS20W420C2040R3UD-0000	420mA	20V	40V	Tri Mode	R3	
20W	Linear	DS20W440C2045BF1UD-0000	500mA	20V	45V	Tri Mode	BF1	
20W	Linear	DS20W500C2040BF1UD-0000	500mA	20V	40V	Tri Mode	BF1	
20W	Linear	DS20W500C2040MB2UD-0000	500mA	20V	40V	Tri Mode	MB2	
20W	Linear	DS20W500C2040SM1UD-0000	500mA	20V	40V	Tri Mode	SM1	
20W	Linear	DS20W500C2740SM1UD-3002	500mA	27V	40V	Tri Mode	SM1	

- Requires external power supply 12V - 24V DC
- True-Tri-Mode dimming (ELV, TRIAC, 0-10V)
- Smooth Dimming, 100%-0.1%

- Universal Input Voltage (120 - 277V)
- 100mA - 5000mA Constant Current Options

CONSTANT CURRENT - 120V-277V AC								
Wattage	Output	Part Number	Input Voltage	Output Current	Output Voltage (min.)	Output Voltage (max.)	Dimming	Form Factor
20W	Linear	DS20W600C2033SM1UD-0000	120V-277V AC	600mA	20V	33V	Tri Mode	SM1
20W	Linear	DS20W700C1528F2UD-0000		700mA	15V	28V	Tri Mode	F2
20W	Linear	DS20W700C1528L12D010-0000		700mA	15V	28V	Tri Mode	L12
20W	Linear	DS20W700C1528MB2UD-0000		700mA	15V	28V	Tri Mode	MB2
20W	Linear	DS20W700C1528SM1UD-0000		700mA	15V	28V	Tri Mode	SM1
20W	Linear	DS20W1000C1520LI1UD-0000		1000mA	15V	20V	Tri Mode	LI1
25W	Linear	DS25W500C3050SM2UD-0000		500mA	30V	50V	Tri Mode	SM2
25W	Linear	DS25W600C2742BF1UD-0000		600mA	27V	42V	Tri Mode	BF1
25W	Linear	DS25W600C3042SM1UD-0000		600mA	30V	42V	Tri Mode	SM1
25W	Linear	DS25W700C1535LI2UD-0000		700mA	15V	35V	Tri Mode	LI2
25W	Linear	DS25W700C2036F2UD-0000		700mA	20V	36V	Tri Mode	F2
25W	Linear	DS25W700C2036SM1UD-0001		700mA	20V	36V	Tri Mode	SM1
25W	Linear	DS25W700C2636OC-3002		700mA	26V	36V	Tri Mode	OC
25W	Linear	DS25W700C2636SM2UD-3002		700mA	26V	36V	Tri Mode	SM2
25W	Linear	DS25W750C1533SM1UD-0000		750mA	15V	33V	Tri Mode	SM1
25W	Linear	DS25W900C1528BF1UD-0000		900mA	15V	28V	Tri Mode	BF1
25W	Linear	DS25W1040C1524L12UD-0000	1040mA	15V	24V	Tri Mode	LI2	
25W	Linear	DS25W1050C1524MB2UD-0000	1050mA	15V	24V	Tri Mode	MB2	
25W	Linear	DS25W1300C1956SI	1300mA	19V	56V	Tri Mode	SI	
25W	Linear	DS25W2100C12VBF1UD	2100mA			Tri Mode	BF1	
25W	Linear	DS25W2100C0912BF1UD-0000	2100mA	09V	12V	Tri Mode	BF1	
26W	Linear	DS26W0620C2040MB2UD-0000	620mA	20V	40V	Tri Mode	MB2	
30W	Linear	DS30W0500C3060LI2UD-0000	500mA	30V	60V	Tri Mode	LI2	
30W	Linear	DS30W550C3058BF2UD-0000	550mA	30V	58V	Tri Mode	BF2	
30W	Linear	DS30W550C3058LI2UD-0000	550mA	30V	58V	Tri Mode	LI2	
30W	Linear	DS30W700C2042LI2UD-0000	700mA	20V	42V	Tri Mode	LI2	
30W	Linear	DS30W700C2042LI2UD-0000	700mA	20V	42V	Tri Mode	LI2	

- Requires external power supply 12V - 24V DC
- True-Tri-Mode dimming (ELV, TRIAC, 0-10V)
- Smooth Dimming, 100%-0.1%

- Universal Input Voltage (120 - 277V)
- 100mA - 5000mA Constant Current Options

CONSTANT CURRENT - 120V-277V AC								
Wattage	Output	Part Number	Input Voltage	Output Current	Output Voltage (min.)	Output Voltage (max.)	Dimming	Form Factor
30W	Linear	DS30W700C2042SM2UD-0000	120V-277V AC	700mA	20V	42V	Tri Mode	BF2
30W	Linear	DS30W700C2542BF2UD-0000		700mA	25V	42V	Tri Mode	F2
30W	Linear	DS30W700C2542F2UD-0000		700mA	25V	42V	Tri Mode	F2
30W	Linear	DS30W700C2542F3UD-0000		700mA	25V	42V	Tri Mode	F3
30W	Linear	DS30W350700C3042SM2UDNFC-0000		700mA	30V	42V	Tri Mode	SM2
30W	Linear	DS30W830C2436UD-3002		830mA	24V	36V	Tri Mode	SM2
30W	Linear	DS30W900C2034F3UD-0000		900mA	20V	34V	Tri Mode	F3
30W	Linear	DS30W900C2034LI2UD-0000		900mA	20V	34V	Tri Mode	LI2
30W	Linear	DS30W900C2034SM2UD-0000		900mA	20V	34V	Tri Mode	SM2
30W	Linear	DS30W1000C2030LI2UD-0000		1000mA	20V	30V	Tri Mode	LI2
35W	Linear	DS35W0500C3060LI2UD-0000		500mA	30V	60V	Tri Mode	LI2
35W	Linear	DS35W700C3050LI2UD-0000		700mA	30V	50V	Tri Mode	LI2
35W	Linear	DS35W750C3046F3UD-0000		750mA	30V	46V	Tri Mode	F3
35W	Linear	DS35W750C3046UD-3002		750mA	30V	46V	Tri Mode	SM2
35W	Linear	DS35W900C2839UD-3002		900mA	28V	39V	Tri Mode	SM2
35W	Linear	DS35W1050C1834F3UD-0000		1050mA	18V	34V	Tri Mode	F3
35W	Linear	DS35W2000C1015SMI2UD-0000	2000mA	10V	15V	Tri Mode	SM1	
36W	Linear	DS36W1000C2436UD-3002	1000mA	24V	36V	Tri Mode	SM2	
40W	Linear	DS40W700C3057BF21UD-0000	120V-277V AC	700mA	30V	57V	Tri Mode	BF2
40W	Linear	DS40W700C3057SM2UD-0000		700mA	30V	57V	Tri Mode	SM2
40W	Linear	DS40W700C3058F2UD-0000		700mA	30V	58V	Tri Mode	F2
40W	Linear	DS40W700C3058LI2UD-0000		700mA	30V	58V	Tri Mode	LI2
40W	Linear	DS40W750C3054LI2UD-0000		750mA	30V	54V	Tri Mode	LI2
40W	Linear	DS40W900C2543F3UD-0000		900mA	25V	43V	Tri Mode	F3
40W	Linear	DS40W5001200C36ADJUD-0000		1200mA			Tri Mode	J2
40W	Linear	DS40W1400C2028LI2UD-0000		1400mA	20V	28V	Tri Mode	LI2
40W	Linear	DS40W1400C2028F3UD-0000		1050mA	20V	28V	Tri Mode	F3
42W	Linear	DS42W1050C2040SM2UD-0000		1100mA	20V	40V	Tri Mode	SM2

- Requires external power supply 12V - 24V DC
- True-Tri-Mode dimming (ELV, TRIAC, 0-10V)
- Smooth Dimming, 100%-0.1%

- Universal Input Voltage (120 - 277V)
- 100mA - 5000mA Constant Current Options

CONSTANT CURRENT - 120V-277V AC

Wattage	Output	Part Number	Input Voltage	Output Current	Output Voltage (min.)	Output Voltage (max.)	Dimming	Form Factor
42W	Linear	DS42W1100C2038BF2UD-0000	120V-277V AC	1100mA	20V	38V	Tri Mode	F2
42W	Linear	DS42W1100C2438F2UDNFC-0000		1100mA	24V	38V	Tri Mode	F2
42W	Linear	DS42W1200C1535SM2UD-3002		1200mA	15V	35V	Tri Mode	SM2
45W	Linear	DS45W6001200C3042SM2UDNFC-0000		1200mA	30V	42V	Tri Mode	SM2
45W	Linear	DS45W1200C2036F5UD-3002		1200mA	20V	36V	Tri Mode	F5
45W	Linear	DS45W2036UD-3002			20V	36V	Tri Mode	SM2
50W	Linear	DS50W1050C3048RUD-0000		1050mA	30V	48V	Tri Mode	R
50W	Linear	DS50W1050C3248BR2UD-3002		1050mA	32V	48V	Tri Mode	BR2
50W	Linear	DS50W1250C2040RUD-0000		1250mA	20V	40V	Tri Mode	R
50W	Linear	DS50W1400C2036F5UD-0000		1400mA	20V	36V	Tri Mode	F5
50W	Linear	DS50W1400C2036F5UD-3002		1400mA	20V	36V	Tri Mode	F5
50W	Linear	DS50W1400C2036L13UD-0000		1400mA	20V	36V	Tri Mode	LI3
50W	Linear	DS50W1400C2036UD-0000		1400mA	20V	36V	Tri Mode	F5
50W	Linear	DS50W1800C1828F5UD-0000		1800mA	18V	28V	Tri Mode	F5
50W	Linear	DS50W2100C1824BR2UD-3002		2100mA	18V	24V	Tri Mode	BR2
50W	Linear	DS50W2400C1621BR2UD-3002	2400mA	16V	21V	Tri Mode	BR2	
60W	Linear	DS60W1050C3058BR2UD-3002	120V-277V AC	1050mA	30V	58V	Tri Mode	BR2
60W	Linear	DS60W1100C4055BR2UD-0000		1100mA	40V	55V	Tri Mode	BR2
60W	Linear	DS60W1100C4055BR2UD-3002		1100mA	40V	55V	Tri Mode	BR2
60W	Linear	DS60W1200C3050BR2UD-0000		1200mA	30V	50V	Tri Mode	BR2
60W	Linear	DS60W1250C3052F5UD-0000		1250mA	30V	52V	Tri Mode	F5
60W	Linear	DS60W1300C3046RUD-0000		1300mA	30V	46V	Tri Mode	R
60W	Linear	DS60W1400C2843BR2UD-0000		1400mA	28V	43V	Tri Mode	BR2
60W	Linear	DS60W1400C2843BR2UD-3002		1400mA	28V	43V	Tri Mode	BR2
60W	Linear	DS60W1500C2540RUD-0000		1500mA	25V	40V	Tri Mode	R
60W	Linear	DS60W1560C2637RUD-0000		1560mA	26V	37V	Tri Mode	R

- Requires external power supply 12V - 24V DC
- True-Tri-Mode dimming (ELV, TRIAC, 0-10V)
- Smooth Dimming, 100%-0.1%

- Universal Input Voltage (120 - 277V)
- 100mA - 5000mA Constant Current Options

CONSTANT CURRENT - 120V-277V AC								
Wattage	Output	Part Number	Input Voltage	Output Current	Output Voltage (min.)	Output Voltage (max.)	Dimming	Form Factor
60W	Linear	DS60W1600C2637BR2UD-0000	120V-277V AC	1600mA	26V	37V	Tri Mode	BR2
60W	Linear	DS60W1600C2637RUD-0000		1600mA	26V	37V	Tri Mode	R
60W	Linear	DS60W1600C2637UD-3002		1600mA	26V	37V	Tri Mode	BR2
60W	Linear	DS60W1800C2233RUD-0000		1800mA	22V	33V	Tri Mode	R
60W	Linear	DS60W2100C1728F5UD-3002		2100mA	17V	28V	Tri Mode	F5
60W	Linear	DS60W2100C1830BR2UD-3002		2100mA	18V	30V	Tri Mode	BR2
65W	Linear	DS65W1250C3052BF5UD-3001		1250mA	30V	52V	Tri Mode	F5
65W	Linear	DS65W1500C3043RUD-0000		1500mA	30V	43V	Tri Mode	R
75W	Linear	DS75W1050C4872BR2UD-3002		1050mA	48V	72V	Tri Mode	BR2
75W	Linear	DS75W1330C3056BR2UD-3002		1330mA	30V	56V	Tri Mode	BR2
75W	Linear	DS75W1330C3056MB2UD-3002		1330mA	30V	56V	Tri Mode	MB2
75W	Linear	DS75W1330C3056UD-3002		1330mA	30V	56V	Tri Mode	BR2
75W	Linear	DS75W1400C3054D010-0020		1400mA	30V	54V	Tri Mode	L19
75W	Linear	DS75W1740C2243UD-3002		1740mA	22V	43V	Tri Mode	BR2
75W	Linear	DS75W1900C3042BR2UD-3002		1900mA	30V	42V	Tri Mode	BR2
75W	Linear	DS75W1900C3042UD-3002		1900mA	30V	42V	Tri Mode	BR2
96W	Linear	DS96W700C85137BR1UD-3002	120V-277V AC	700mA			Tri Mode	BR1
96W	Linear	DS96W1600C4060BR1UD-3002		1600mA	40V	60V	Tri Mode	BR1
96W	Linear	DS96W2000C3248BR1UD-3002		2000mA	32V	48V	Tri Mode	BR1
96W	Linear	DS96W2000C3248LI15UD-3002		2000mA	32V	48V	Tri Mode	LI15
96W	Linear	DS96W2000C3248R6UD-3002		2000mA	32V	48V	Tri Mode	R6
96W	Linear	DS96W2100C3046BR1UD-3002		2100mA	30V	46V	Tri Mode	BR1
96W	Linear	DS96W2400C2840BR1UD-3002		2400mA	28V	40V	Tri Mode	BR1
96W	Linear	DS96W1660C2436BR1UD-3002		1600mA	24V	36V	Tri Mode	BR1
16W	Linear	LDS16W400C2040SM1UD-0000		400mA	20V	40V	Tri Mode	SM1

- Requires external power supply 12V - 24V DC
- True-Tri-Mode dimming (ELV, TRIAC, 0-10V)
- Dim to Off

- Universal Input Voltage (120 - 277V)
- 100mA - 5000mA Constant Current Options

CONSTANT CURRENT - 120V-277V AC

Wattage	Output	Part Number	Input Voltage	Output Current	Output Voltage (min.)	Output Voltage (max.)	Dimming	Form Factor
15W	Linear	DS15W300C3652SM1UD-3002	120V - 277V AC	300mA	36V	52V	Tri Mode	SM1
20W	Linear	DS20W400C3550SM1UD-3002		400mA	35V	50V	Tri Mode	SM1
50W	Linear	DS50W1100C3146F5UD-3002		1100mA	31V	46V	Tri Mode	F5
9W	Linear	DS9W700C0412T11D010-0041		700mA	04V	12V	0-10V	T11
10W	Linear	DS10W250C2040D010-3001		250mA	20V	40V	0-10V	T11
10W	Linear	DS10W550C1518D010-0020		550mA	15V	18V	0-10V	L5
10W	Linear	DS10W700C1014D010-0020		700mA	10V	14V	0-10V	L5
10W	Linear	DS10W700C1014D010-3001		700mA	10V	14V	0-10V	L5
12W	Linear	DS12W250C2548D010-3001		250mA	25V	48V	0-10V	T11
12W	Linear	DS12W0280C2543D010-3001		280mA	25V	43V	0-10V	T11
12W	Linear	DS12W0350C2034D010-0020		350mA	20V	34V	0-10V	L5
12W	Linear	DS12W700C1017T11D010-3001	700mA	10V	17V	0-10V	T11	
15W	Linear	DS15W300C2850D010-3001	120V - 277V AC	300mA	28V	50V	0-10V	T11
15W	Linear	DS15W350C1542D0010-3001		350mA	15V	42V	0-10V	T11
15W	Linear	DS15W350C1542D0010BF-3001		350mA	15V	42V	0-10V	BF
15W	Linear	DS10W1100C0813T11D010-3001		1100mA	8V	13V	0-10V	T11
18W	Linear	DS18W450C3040SM1D010-3001		450mA	30V	40V	0-10V	SM1
18W	Linear	DS18W450C3040F4D010		450mA	30V	40V	0-10V	F4
20W	Linear	DS20W350C3048D010-0020		350mA	30V	48V	0-10V	L5
25W	Linear	DS25W600C3042SM1D010-3001		600mA	30V	42V	0-10V	SM1
25W	Linear	DS25W620C3141SM1D010-3001		620mA	31V	41V	0-10V	SM1
50W	Linear	DS50W1200C2042LTLI5-0060		1200mA	20V	42V	0-10V	LI5

0 - 10V Constant Current Drivers

- Require External Power Supply 12-24V DC
- Only 0 - 10V Dimmable

- Dims to less than 10%
- Universal Input Voltage (120V - 277V)

CONSTANT CURRENT - 120V-277V AC

Wattage	Output	Part Number	Input Voltage	Output Current	Output Voltage (min.)	Output Voltage (max.)	Dimming	Form Factor
14W	Linear	DS14W350C3040F4D010	120V - 277V AC	350mA	30V	40V	0-10V	F4
20W	Linear	DS20W350C3058LI2D010-0000		400mA	30V	58V	0-10V	LI2
20W	PWM	DS20W2300C0709SM1D010-0011		2300mA	07V	09V	0-10V	SM1
30W	Linear	DS30W700C2043LTI6-0060		700mA	20V	43V	0-10V	LI6
50W	Linear	LDS50W1400C1255SIL4-0020		1400mA	12V	55V	0-10V	L4
75W	Linear	DS75W1050C5072BR2D010-0000		1050mA	50V	72V	0-10V	BR2
75W	Linear	DS75W1050C5072D010-0020		1050mA	50V	72V	0-10V	L19
75W	Linear	DS75W1400C3054BR2D010-0000		1400mA	30V	54V	0-10V	BR2

277V, 0-10V Drivers

- Require External Power Supply 12-24V DC
- Only 0-10V Dimmable

- Dims to less than 10%
- Input Voltage (277V)

CONSTANT CURRENT - 277V

Wattage	Output	Part Number	Input Voltage	Output Current	Output Voltage (min.)	Output Voltage (max.)	Dimming	Form Factor
5W	Linear	DU5W1200C04LPD010-0000	277V	1200mA	-	4V	0-10V	

120V, 0-10V Drivers

- Require External Power Supply 12-24V DC
- Only 0-10V Dimmable

- Dims to less than 1%
- Input Voltage (120V)

CONSTANT CURRENT - 120V AC

Wattage	Output	Part Number	Input Voltage	Output Current	Output Voltage (min.)	Output Voltage (max.)	Dimming	Form Factor
4W	-	DA4W700C0506LPD010-0000	120V AC	700mA	05V	06V	0-10V	B5
6W	-	DA6W150C2040LPD010-0014		150mA	20V	40V	0-10V	B5
12W		DA12W350C1834D010-0014		350mA	18V	34V	0-10V	B5
55W		DA55W2X550C3648		550 x 2	36V	48V	0-10V	BR2

UNIDRIVER[®] Constant Voltage

- Requires external power supply 12V - 24V DC
- True-Tri-Mode dimming (ELV, TRIAC, 0-10V)
- Smooth Dimming, 100%-0.1%
- Universal Input Voltage (120 - 277V)

- 12V, 24V, 36V, and 48V Constant Voltage Options

CONSTANT VOLTAGE - 120V-277V AC

Wattage	Output	Part Number	Input Voltage	Output Current	Output Voltage (min.)	Output Voltage (max.)	Dimming	Form Factor
10W	Linear	DS10W12VMB1UD-0000	120V-277V AC	833mA	-	12V	Tri Mode	MB1
12W	Linear	DS12W12VMB1UD-0000		1000mA	-	12V	Tri Mode	MB1
20W	Linear	DS20W12VUD-3002		1666mA	-	12V	Tri Mode	SM1
25W	Linear	DS25W12VBF1UD-0000		2083mA	-	12V	Tri Mode	BF1
40W	Linear	DS40W12VSM2UB-0000		3333mA	-	12V	Tri Mode	SM2
60W	Linear	DS60W12VL5UD-0000		5000mA	-	12V	Tri Mode	L5
60W	PWM	DS60W12VUDPL-4002		5000mA	-	12V	Tri Mode	PL
96W	PWM	DS96W12VUD-4002		8000mA	-	12V	Tri Mode	BR4
180W	PWM	DS180W12VUD3CH-4002		500mA x 3	-	12V	Tri Mode	BR4
300W	PWM	DS300W12VBR4UD-4002		25000mA	-	12V	Tri Mode	BR4
6W	Linear	DS6W24VMB1UD-0000		120V - 277V AC	250mA	-	24V	Tri Mode
10W	Linear	DS10W24VMB1UD-0000	614mA		-	24V	Tri Mode	MB1
12W	Linear	DS12W24VMB1UD-0000	500mA		-	24V	Tri Mode	MB1
16W	Linear	DS16W24VUD-3002	666mA		-	24V	Tri Mode	SM1
20W	PWM	DS20W24VOCUD-0011	833mA		-	24V	Tri Mode	OC
20W	Linear	DS20W24VOCUDT24-0000	833mA		-	24V	Tri Mode	OC
20W	Linear	DS20W24VSMUD-0000	833mA		-	24V	Tri Mode	SM1
20W	Linear	DS20W24VUD-3002	833mA		-	24V	Tri Mode	SM1
25W	Linear	DS25W24VBF1UD-0000	1041mA		-	24V	Tri Mode	BF1
25W	Linear	DS25W24VMB2UD-0001	1041mA		-	24V	Tri Mode	MB2
25W	Linear	DS25W24VUDRE	1040mA		-	24V	Tri Mode	G2
30W	Linear	DS30W24VLI2UD-0000	1250mA		-	24V	Tri Mode	LI2
30W	Linear	DS30W24VSM2UD-0000	1250mA		-	24V	Tri Mode	SM2
30W	Linear	DS30W24VUD-3002	1250mA		-	24V	Tri Mode	G5
40W	Linear	DS40W24V-3001	1666mA		-	24V	Tri Mode	SM2
40W	Linear	DS40W24VLSUD-0019	1666mA		-	24V	Tri Mode	LS

- Requires external power supply 12V - 24V DC
- True-Tri-Mode dimming (ELV, TRIAC, 0-10V)
- Smooth Dimming, 100%-0.1%
- Universal Input Voltage (120 - 277V)

- 12V, 24V, 36V, and 48V Constant Voltage Options

CONSTANT VOLTAGE - 120V-277V AC

Wattage	Output	Part Number	Input Voltage	Output Current	Output Voltage (min.)	Output Voltage (max.)	Dimming	Form Factor
40W	PWM	DS40W24VOCUD-0011	120V-277V AC	1666mA	-	24V	Tri Mode	OC
40W	PWM	DS40W24VOCUD-DTW-0011		1666mA	-	24V	Tri Mode	OC
40W	Linear	DS40W24VSM2UD-0000		1666mA	-	24V	Tri Mode	SM2
40W	Linear	DS40W24VUD-3002		1666mA	-	24V	Tri Mode	SM2
60W	Linear	DS60W24V-3001		2500mA	-	24V	Tri Mode	BR2
60W	Linear	DS60W24VBR2UD-3002		2500mA	-	24V	Tri Mode	BR2
60W	Linear	DS60W24VF5UD-0000		2500mA	-	24V	Tri Mode	F5
60W	PWM	DS60W24VRUD-0011		2500mA	-	24V	Tri Mode	R
60W	Linear	DS60W24VRUDT24-0000		2500mA	-	24V	Tri Mode	R
60W	Linear	DS60W24VUD-3001		2500mA	-	24V	Tri Mode	BR2
60W	Linear	DS60W24VUDRE-3002		2500mA	-	24V	Tri Mode	G2
96W	Linear	DS96W24VBR1UD-3002 Rev1		4000mA	-	24V	Tri Mode	BR1
96W	Linear	DS96W24VBR1UD-3002 Rev2.0		4000mA	-	24V	Tri Mode	BR1
96W	Linear	DS96W24VBR1UD-3002 REV2.1		4000mA	-	24V	Tri Mode	BR1
96W	Linear	DS96W24VBR1UD-3002		4000mA	-	24V	Tri Mode	BR1
96W	PWM	DS96W24VBR1UD-3002R1		4000mA	-	24V	Tri Mode	BR1
96W	PWM	DS96W24VBR1UDRE-3002		4000mA	-	24V	Tri Mode	BR1
96W	PWM	DS96W24VLI14UD-3002		4000mA	-	24V	Tri Mode	LI14
96W	PWM	DS96W24VLI15UD-3002	4000mA	-	24V	Tri Mode	LI15	
96W	PWM	DS96W24VLI15UD-3002R1	4000mA	-	24V	Tri Mode	LI15	
96W	Linear	DS96W24VRUD-3002	4000mA	-	24V	Tri Mode	R	
96W	Linear	DS96WCV24V4000C-3002	4000mA	-	24V	Tri Mode	BR1	
192W	PWM	DS192W24VUD2CH-4002	4000 x 2	-	24V	Tri Mode	BR3	
200W	PWM	DS200W24VBR3UD-4002	2778 x 3	-	24V	Tri Mode	BR3	
288W	PWM	DS288W24VUD3CH-4002	4000 x 3	-	24V	Tri Mode	BR5	
300W	PWM	DS300W24VBR4-4002	4100 x 4	-	24V	Tri Mode	BR4	

UNIDRIVER[®] Constant Voltage

- Requires external power supply 12V - 24V DC
- True-Tri-Mode dimming (ELV, TRIAC, 0-10V)
- Smooth Dimming, 100%-0.1%

- Universal Input Voltage (120 - 277V)
- 12V, 24V, 36V, and 48V Constant Voltage Options

CONSTANT VOLTAGE - 120V-277V AC

Wattage	Output	Part Number	Input Voltage	Output Current	Output Voltage (min.)	Output Voltage (max.)	Dimming	Form Factor
20W	PWM	LDS20W24VUDRE-3002	120V-277V AC	833mA	-	24V	Tri Mode	G5
40W	PWM	LDS40W24VUDRE-3002		1666mA	-	24V	Tri Mode	G5
60W	PWM	LDS60W24VUDRE-3002		2500mA	-	24V	Tri Mode	G2
16W	PWM	LDS16W24VUDRE-3002		666mA	-	24V	Tri Mode	G5
25W	PWM	LDS25W24VUDRE-3002		1041mA	-	24V	Tri Mode	G5
96W	Linear	DS96W48VBR1UD-3002		2000mA	-	24V	Tri Mode	BR1
96W	PWM	DS96W48VBR1UD-3002R1		2000mA	-	24V	Tri Mode	BR1

0 - 10V Constant Voltage Drivers

- Require External Power Supply 12-24V DC
- Only 0 - 10V Dimmable

- Dims to less than 10%
- Universal Input Voltage (120V - 277V)

CONSTANT VOLTAGE - 120V-277V AC

Wattage	Output	Part Number	Input Voltage	Output Current	Output Voltage (min.)	Output Voltage (max.)	Dimming	Form Factor
12W	Linear	DS12W24VLS010-0000	120V-277V AC	500mA	-	24V	0-10V	LS
40W	Linear	DS40W24VLS010-0000		1666mA	-	24V	0-10V	LS
60W	Linear	DS60W24VD010-0020		2500mA	-	24V	0-10V	L19
96W	PWM	DS96W24V2CH		4000mA	-	24V	0-10V	BR4
96W	Linear	DS96W24VD010-0020		4000mA	-	24V	0-10V	L17

Phase Dimmable Constant Voltage Drivers

- Require External Power Supply 12-24V DC
- Only 0 - 10V Dimmable

- Dims to less than 10%
- Universal Input Voltage (120V - 277V)

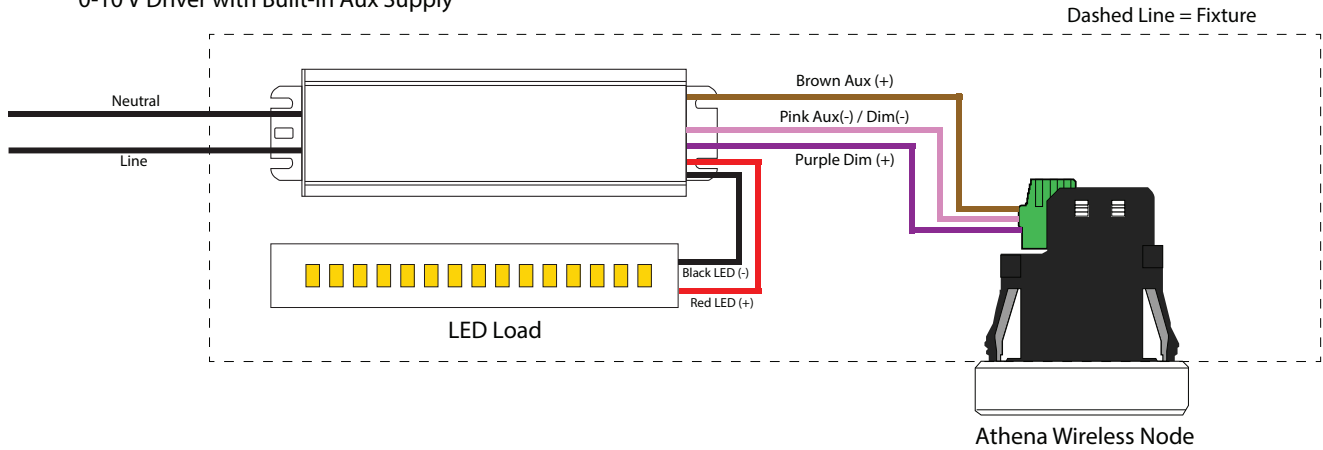
CONSTANT VOLTAGE - 120V AC

Wattage	Output	Part Number	Input Voltage	Output Current	Output Voltage (min.)	Output Voltage (max.)	Dimming	Form Factor
12W		DA12W12VLI-0022	120V AC	1000mA	-	12V	Phase	A4
30W	Linear	DA30W12V-3001		2500mA	-	12V	Phase	SM2
30W	PWM	DA30W12V-3001P		2500mA	-	12V	Phase	PT2
40W	Linear	DA40W12VLI-0000		3333mA	-	12V	Phase	F2
6W		DA6W24VLIT-0000		250mA	-	24V	Phase	A4
12W		DA12W24V-0000		500mA	-	24V	Phase	A4
12W		DA12W24VLIT-0000		500mA	-	24V	Phase	A4
30W		DA30W24ADJ-0000		1250mA	-	24V	Phase	A4
40W		DA40W24VACT24-0000		1666mA	-	24V	Phase	F3
40W		DA40W24VLI-0000		1666mA	-	24V	Phase	F2
40W		DA40W24VOC-0000		1666mA	-	24V	Phase	F3
60W		DA60W24VL5T24-0000		2500mA	-	24V	Phase	F5

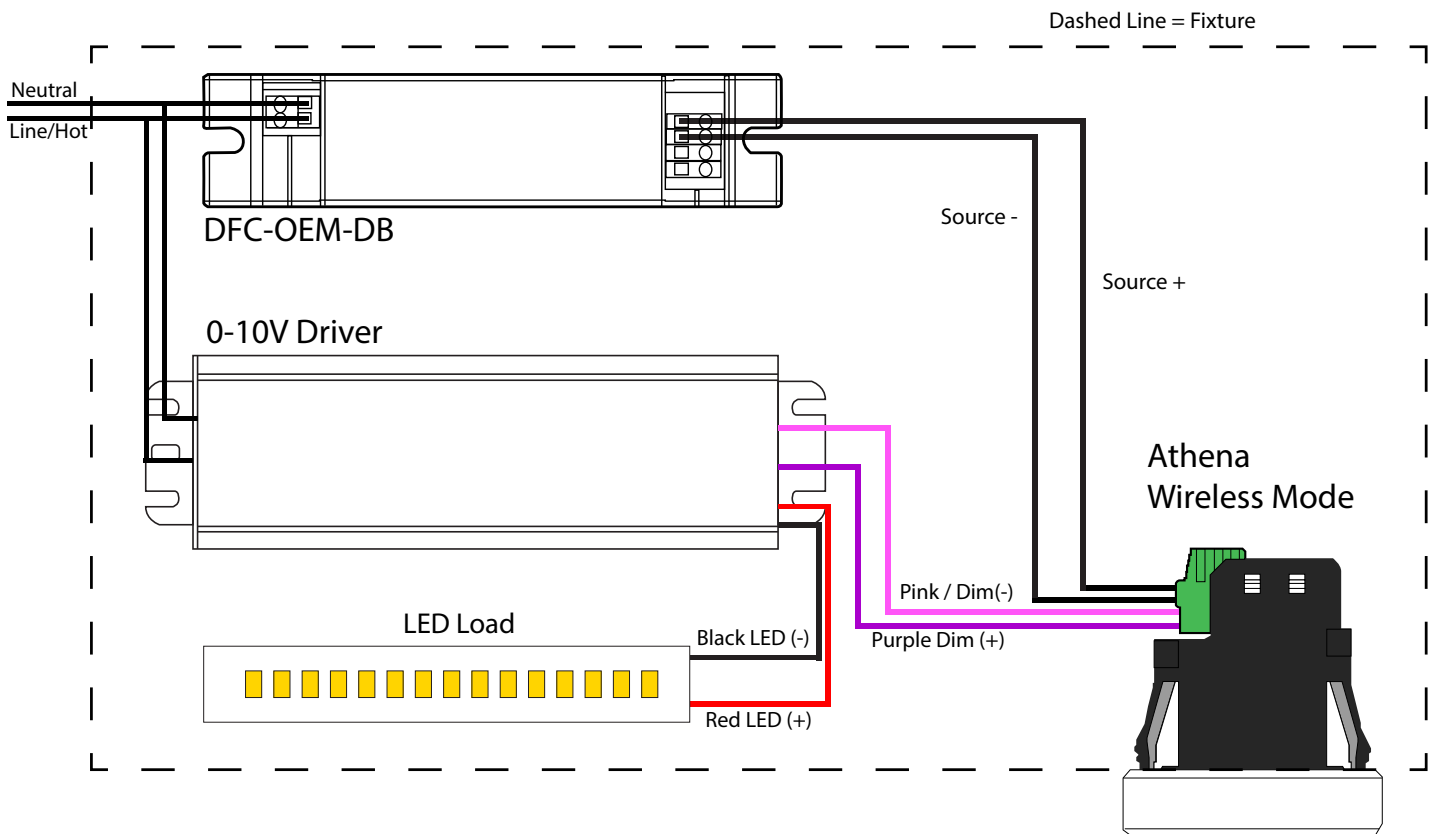
1. CC drivers with No output current at 0V dimming voltage are good for Athena 0-10V dimming controller.
2. For 12V and 24V CV driver, PWM output CV driver is good at 0-10V Athena dimming controller and drivers with no output current with 6LED 24V tape are good with Athena controller. Other CV Drivers with small output current for 6LED 24V tape at 0V dimming voltage need to be checked with real tape load to make a decision by customer.
3. Phase dimming drivers are not suitable with Athena controllers.

LTF LED Drivers Compatibility list with Lutron Athena Wireless Node

0-10 V Driver with Built-In Aux Supply



0-10 V Driver without Built-in Aux Supply



**Note external power supply needed for this configuration*