

**DS6W-0000/3002 120-277V SERIES**  
Constant Current / Constant Voltage

**UNIDRIVER**



Efficiency	>77%
Power Factor	>0.90
Case TC	90°C Max.
Protection	Input / Output
Storage	-30°C / +90°C
Humidity	95% RH Max.
IP Rating	IP67
Class	Class 2 Power Supply
Dimming	ELV, TRIAC, 0-10V
Output Voltage or Constant Current	12V - 48V or 120-700mA



- Universal Input 120V - 277V AC 50/60Hz
- True Tri Mode dimming at all input voltages ELV, TRIAC, 0-10V
- Smooth, flicker free deep dimming 100% - 0.1%
- Title 24 compliant, AAA rating
- Class 2 power supply
- Isolated output power per NEC and UL safety requirements

**FEATURES**

- UL recognized/listed, meets UL 8750, 1310 requirements
- Auto-reset; short circuit, overload and thermal protection
- Low profile, small form factor, junction box mountable
- Efficient, high power factor >0.90

**MODEL KEY**

Model Number Key - Constant Current

(L)	DS	96W	2800C	1834	BR1	UD	(REO)	-3002
UL Listed (Option)	Input Voltage DS = 120-277VAC DA = 120VAC DE = 277VAC DU = 220-240VAC	Wattage	2800mA Constant Current	18V-34V DC Output Voltage Range	Case Form Factor	UniDriver Series Tri-Mode Dimmable	Remote Enclosure RE = Indoor REO = Outdoor (Option)	Manufacturer Code

Model Number Key - Constant Voltage

(L)	DS	96W	24V	BR1	UD	(REO)	-3002
UL Listed (Option)	Input Voltage DS = 120-277VAC DA = 120VAC DE = 277VAC DU = 220-240VAC	Wattage	24V DC Constant Voltage	Case Form Factor	UniDriver Series Tri-Mode Dimmable	Remote Enclosure RE = Indoor REO = Outdoor (Option)	Manufacturer Code

**MODEL SPECIFICATIONS**

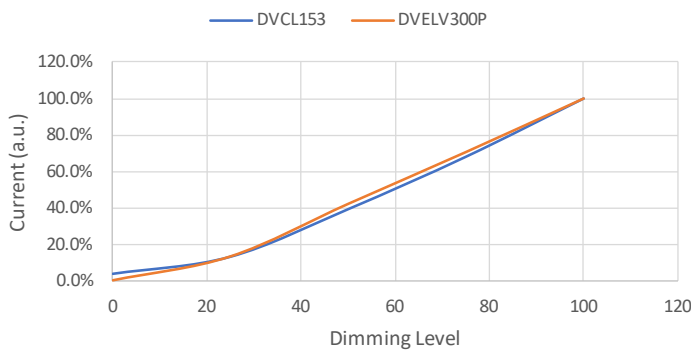
CONSTANT CURRENT					
Model Number	Input Voltage	Wattage	Output Voltage	Output Current	Available Form Factor
DS6W100C4560UD-0000	120-277V AC 0.06A, 50/60Hz	6W	45-60V DC	100mA	MB1

CONSTANT CURRENT					
Model Number	Input Voltage	Wattage	Output Voltage	Output Current	Available Form Factor
DS6W120C3550UD-0000	120-277V AC 0.06A, 50/60Hz	6W	35-50V DC	120mA	MB1
DS6W150C2542UD-0000		6W	25-42V DC	150mA	MB1
DS6W150C2542UD-3002		6W	25-42V DC	150mA	T11
DS6W180C1833UD-0000		6W	18-33V DC	180mA	MB1
DS6W200C1530UD-0000		6W	15-30V DC	200mA	MB1
DS6W230C1126UD-0000		6W	11-26V DC	230mA	MB1
DS6W250C1024UD-0000		6W	10-24V DC	250mA	MB1
DS6W280C1021UD-0000		6W	10-21V DC	280mA	MB1
DS6W300C1020UD-0000		6W	10-20V DC	300mA	MB1
DS6W320C1018UD-0000		6W	10-18V DC	320mA	MB1
DS6W500C0512UD-0000		6W	05-12V DC	500mA	MB1
DS6W700C0509UD-0000		6W	05-09V DC	700mA	MB1

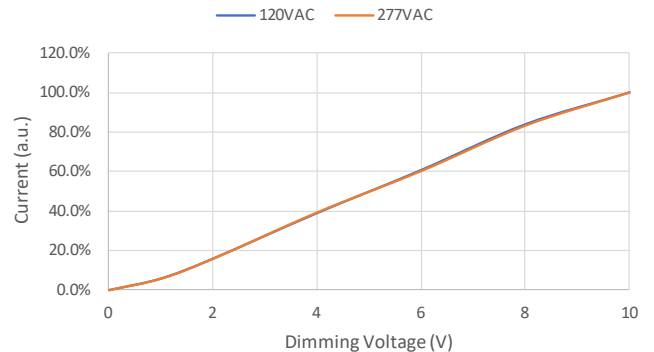
CONSTANT VOLTAGE					
Model Number	Input Voltage	Wattage	Output Voltage	Load	Available Form Factor
DS6W12VUD-0000	120-277V AC, 0.06A, 50/60Hz	6W	12V DC	0.5A DC LED	MB1
DS6W24VUD-0000		6W	24V DC	0.25A DC LED	MB1
DS6W36VUD-0000		6W	36V DC	0.17A DC LED	MB1
DS6W48VUD-0000		6W	48V DC	0.125A DC LED	MB1

### DIMMING CURVES

Phase-cutting Dimming



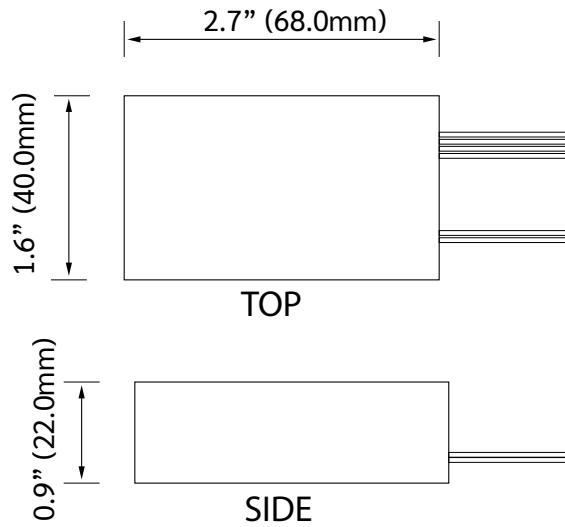
0-10V Dimming



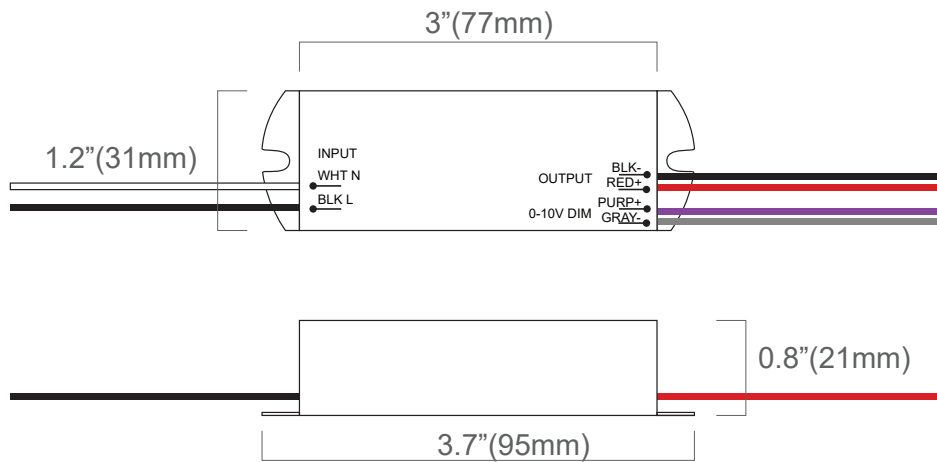
**MECHANICAL SPECS**

FORM FACTOR	DIMENSIONS
MB1	2.7"(68mm) x 1.6"(40mm) x 0.9"(22mm)
T11	3.7"(95mm) x 1.2"(31mm) x 0.8"(21mm)

**MB1**



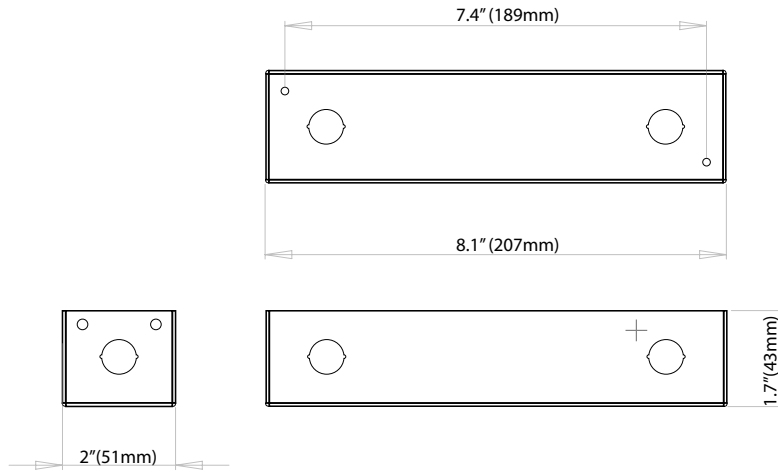
**T11**



### REMOTE ENCLOSURES

FORM FACTOR	DIMENSIONS
G1 (indoor)	8.1”(207mm) x 2”(51mm) x 1.7”(43mm)
G4 (outdoor)	9.4”(238mm) x 2.6”(66mm) x 1.9”(48mm)

#### G1



#### G4

