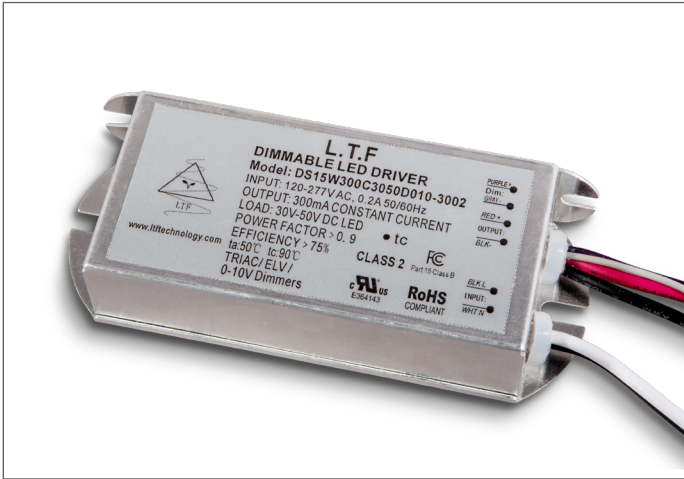


20W DS20W 100-305V Series

Constant Current - Constant Voltage

UNIDRIVER



Efficiency	>85%
Power Factor	>95%
Case TC	90°C Max.
Protection	Input / Output
Storage	-30°C / +90°C
Humidity	95% RH Max.
IP Rating	IP 67
Class	Class 2
Dimming	Triac / ELV / 0-10V
Output Voltage or Constant Current	100V - 305V or 350mA - 1400mA



RoHS



- Universal Input 100 - 305V AC 50/60Hz
- True Tri Mode Dimming at all input voltages Triac, ELV & 0-10V
- Smooth, flicker free dimming 100%~0.1%
- Class 2 power supply
- Isolated output power per NEC and UL safety requirements

FEATURES

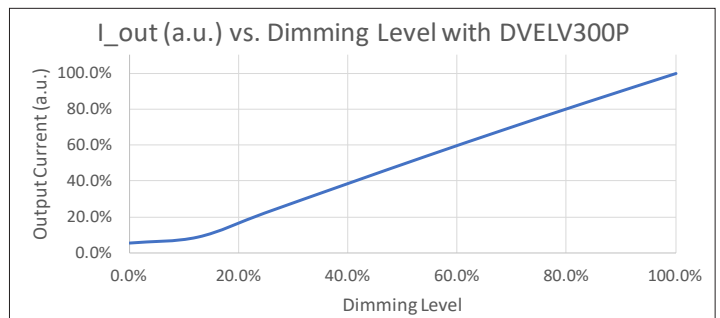
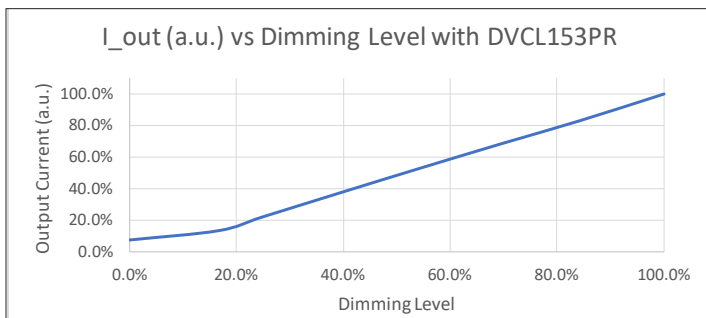
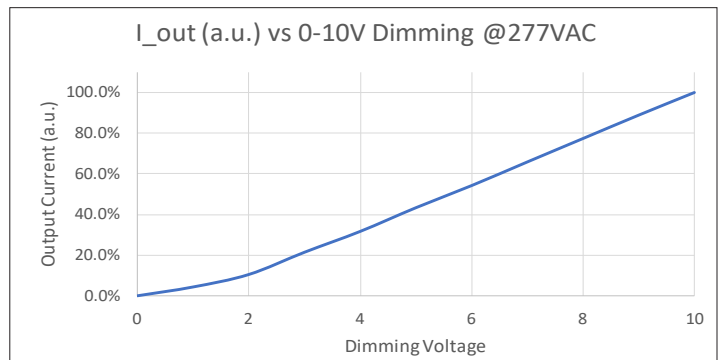
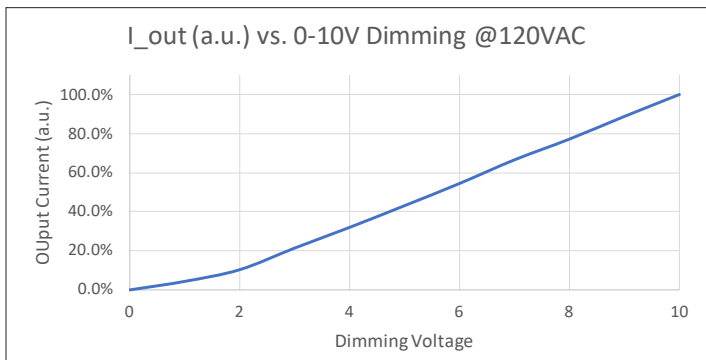
- UL & ETL recognized/listed, meets UL 8750, 1310 requirements
- Auto-reset; short circuit, overload and thermal protection
- Low profile, small form factor, junction box mountable
- Efficient, High power factor >0.90

ELECTRICAL SPECIFICATIONS

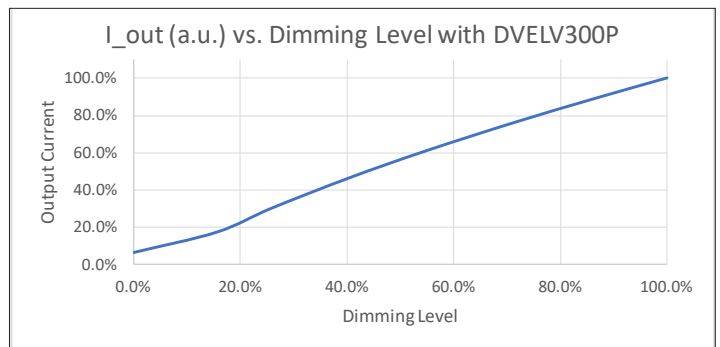
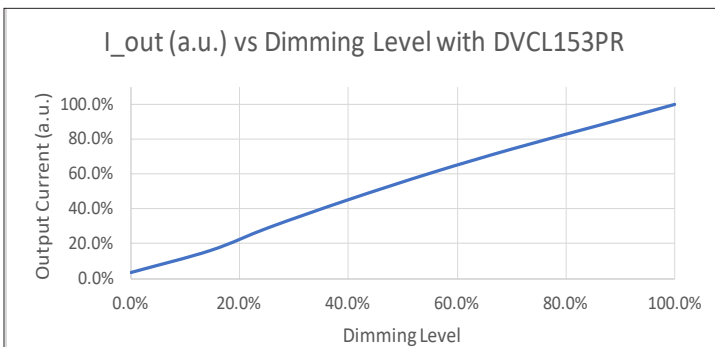
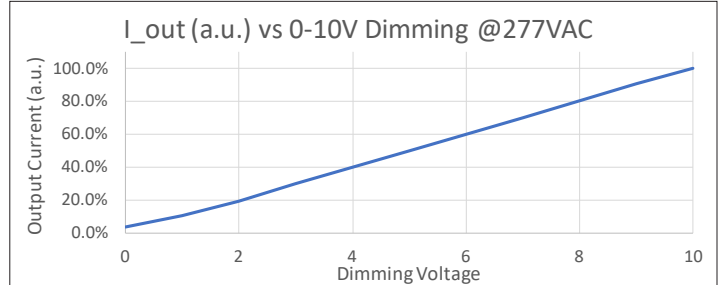
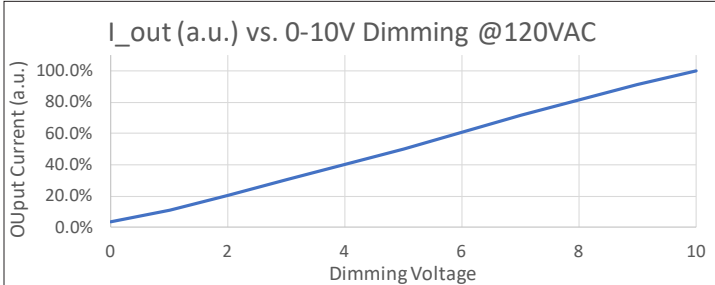
Constant Current				
Model Number	Input Voltage	Output Voltage	Output Current	Available Form Factor
DS20W350C3058UD-0000/-3002	100 - 305V AC 50/60 Hz >0.90 PF < 20% THD	30V - 58VDC	350mA	BF1, LI1, F2, F3, SM1, MB2
DS20W400C2542UD-0000/-3002		25V - 42VDC	400mA	BF1, LI1, F2, F3, SM1, MB2
DS20W440C2045UD-0000/-3002		20V - 45VDC	440mA	BF1, LI1, F2, F3, SM1, MB2
DS20W500C2040UD-0000		20V - 40VDC	500mA	BF1, LI1, F2, F3, SM1, MB2
DS20W500C2740UD-3002		27V - 40VDC	500mA	BF1, SM1
DS20W600C2033UD-0000/-3002		15V - 33VDC	600mA	BF1, LI1, F2, F3, SM1, MB2
DS20W700C1528UD-0000/-3002		15V - 28VDC	700mA	BF1, LI1, F2, F3, SM1, MB2
DS20W750C1527UD-0000/-3002		15V - 27VDC	750mA	BF1, LI1, F2, F3, SM1, MB2
DS20W1000C1020UD-0000/-3002		10V - 20VDC	1000mA	BF1, LI1, F2, F3, SM1, MB2
DS20W1100C1018UD-0000/-3002		10V - 18VDC	1100mA	BF1, LI1, F2, F3, SM1, MB2
DS20W1400C1014UD-0000/-3002		10V - 14VDC	1400mA	BF1, LI1, F2, F3, SM1, MB2

Constant Voltage				
Model Number	Input Voltage	Output Voltage	Output Current	Available Form Factor
DS20W12VUD-0000/-3002	100 - 305V AC 50/60 Hz > 0.90 PF < 20% THD	12VDC	1700mA	SM1, LS1, BF, BF1, F2, F3, MB2
DS20W24VUD-0000/-3002		24VDC	830mA	SM1, LS1, BF, BF1, F2, F3, MB2

DIMMING CURVE CHARTS (constant current)



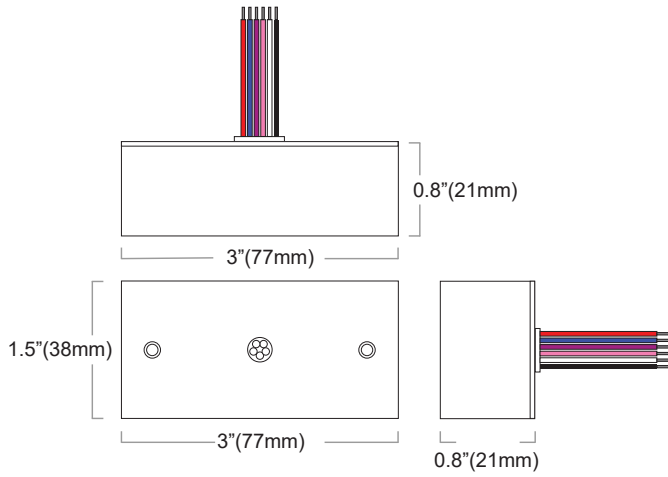
DIMMING CURVE CHARTS (constant voltage)



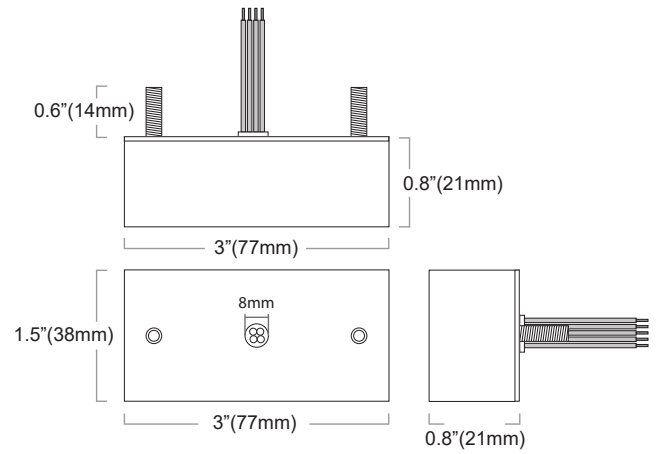
MECHANICAL SPECIFICATIONS

FORM FACTOR	DIMENSIONS
BF (with studs)	3"(77mm) x 1.5"(38mm) x .8"(21mm), 0.6"(14mm studs)
BF1 (without studs)	3"(77mm) x 1.5"(38mm) x .8"(21mm)
LI1	4.9"(124mm) x 1.6"(40mm) x 0.9"(22mm)
LS1	7.6"(193mm) x 1.2"(30mm) x 0.8"(20mm)
F2	5.8"(148mm) x 1.5"(35mm) x 0.96"(24mm)
F3	3.5"(89.6mm) x 2.5"(62.6mm) x 1.2"(30mm)
SM1	4.3"(108mm) x 1.7"(44mm) x 1"(25mm)
MB2	3.1"(78mm) x 1.57"(40mm) x 0.87"(22.1mm)

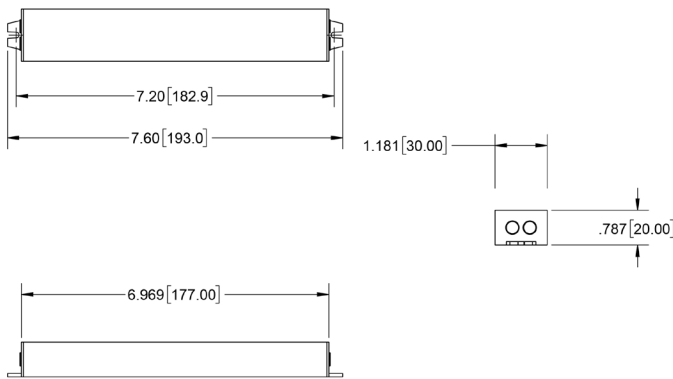
BF1



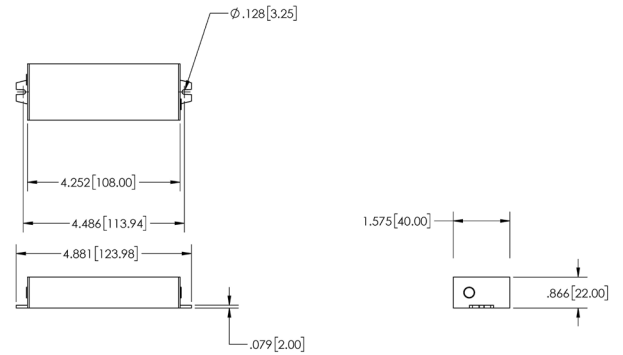
BF



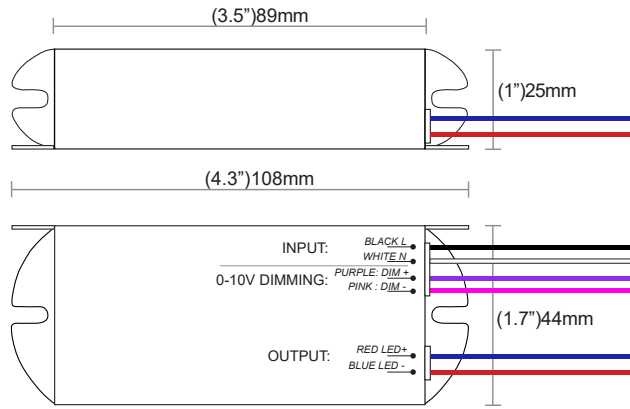
LS1



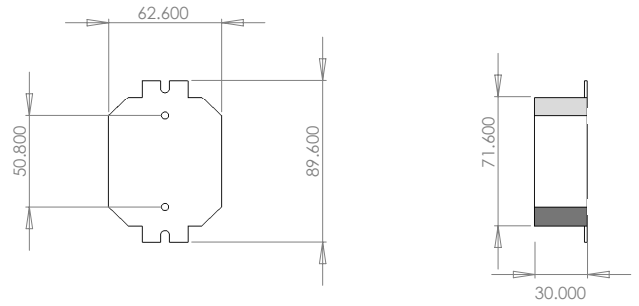
LI1



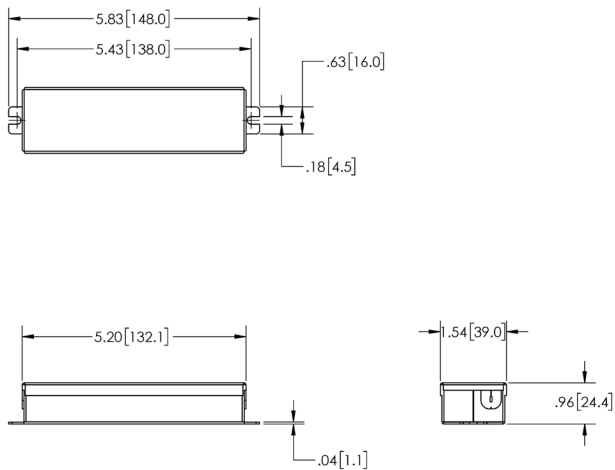
SM1



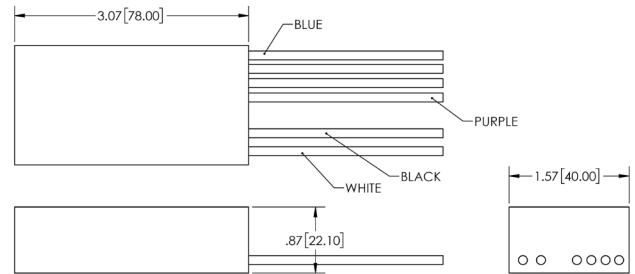
F3



F2

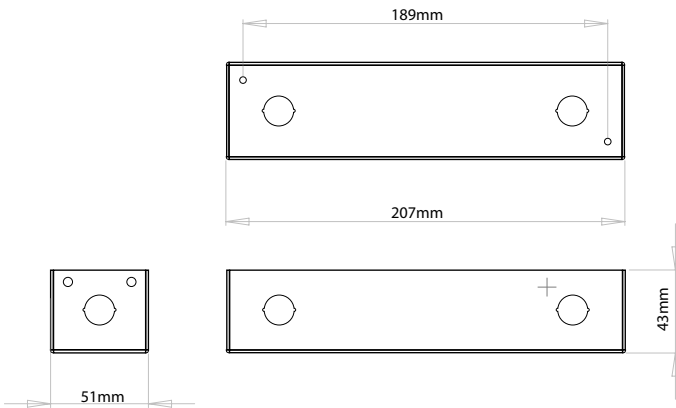


MB2



REMOTE ENCLOSURE OPTIONS		
MODEL NUMBER	REMOTE ENCLOSURE	DIMENSIONS
LDS20WXXXXRE	G1	207 x 50.8 x 43mm
LDS20WXXXXREO	G4	238 x 66 x 48mm

G1



G4

