

DS15W350C2542LTLI7-000*
15W Light Tune™ Dual Channel LED Driver



Efficiency	>86%
Power Factor	>0.90
Case TC	90°C Max.
Protection	Input / Output
Storage	-30°C / +90°C
Humidity	95% RH Max.
IP Rating	IP60
Class	Class 2 Power Supply
Dimming	0-10V, PWM

RoHS

FC
Part 15 Class B
Compliant

CE

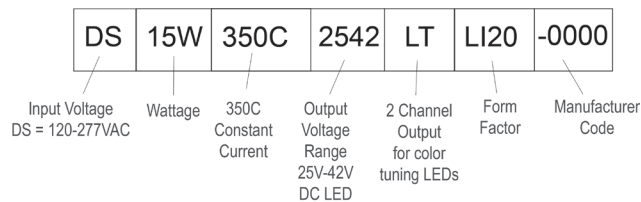
TITLE 24
COMPLIANT

5
7*10*
YEAR WARRANTY

FEATURES

- Dual channel output for color mixing applications
- 0 -10V or PWM dimmable
- Universal input 100V - 277V AC 50/60Hz
- Smooth, flicker free dimming 100% - 0.1%
- Title 24/JA10 standard, AAA rating
- Class 2 power supply
- Auto-reset; short circuit, overload and thermal protection
- Efficient, high power factor >0.90
- Aluminum casing for optimal heat dissipation
- Small form factor

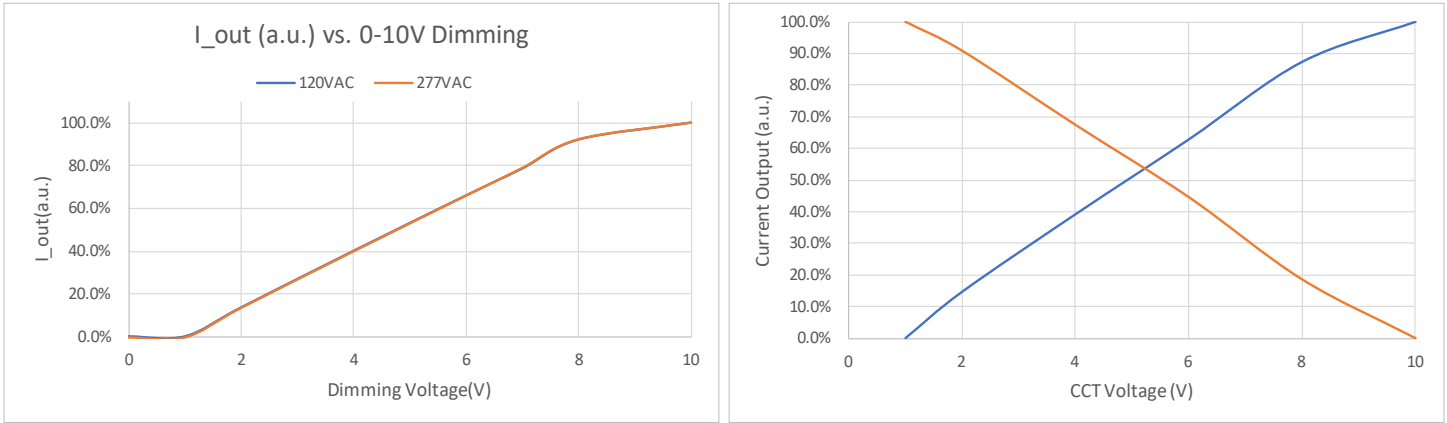
MODEL KEY



MODEL SPECIFICATIONS

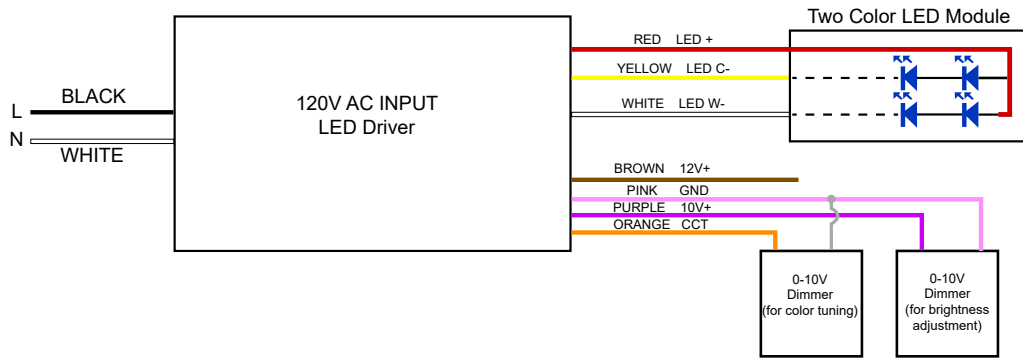
Model Number	Input Voltage	Wattage	Output Channels	Constant Current Output	Load	Dimming	Form Factor
DS15W350C2542LTLI7-0000	100 - 277V AC 0.15A, 50/60Hz	15W	2 Channels for Color Mixing	350mA	25V - 42V DC LED	0-10V, PWM	L20
DS15W350C2542LTLI7-0001		15W		350mA		0-10V, PWM	L20-01

DIMMING CURVES

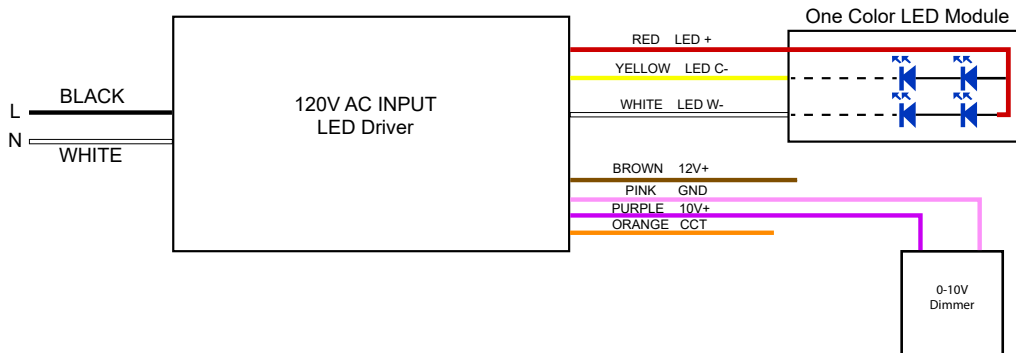


WIRING DIAGRAM

2 Channel LED with 0-10V Tuning and 0-10V Dimming



Single Channel LED with 0-10V Dimming



ELECTRICAL SPECIFICATIONS

Output	DC Voltage Range	25 - 42V DC
	Constant Current	350mA
	Rated Power	15W
	Ripple Current < 120Hz	<2%
	Current Tolerance	±5%
	Line Regulation	±1.0%
	Load Regulation	±5.0%
	Setup Time	1s / 277VAC at full load
Input	Voltage Range	108~305VAC
	Frequency Range	47~63Hz
	Power Factor (typ.)	PF>0.98/120VAC.PF>0.92/277VAC at full load
	Total Harmonic Distortion	THD<20% when output loading ≤75% at 277VAC input
	Efficiency (typ.)	>80%
	AC Current (typ.)	0.3A/120VAC, 0.14A/277VAC
	Inrush Current (typ.)	Cold Start 6.5A
	Leakage Current	<0.75mA/277AC
Protection	Over Current	Current limiting, recovers automatically after fault condition is removed
	Over Load	Power limiting, recovers automatically after fault condition is removed
	Short Circuit	Hiccup mode, recovers automatically after fault condition is removed
	Over Temperature	Protection type: Shut down o/p voltage.re-power on to recover
Environment	Working Temp.	-40~+60°C
	Max. Case Temp. (Tc)	90°C
	Storage Temp.	-40~+80°C
	Humidity	10~95% RH
	Temp. Coefficient	±0.03%/°C(0~50°C)
	Location	Dry and Damp Location
Safety & EMC	Safety Standards	UL8750
	Withstands Voltage	2500V AC
	Isolation Resistance	10M
	EMC Emission	FCC PART 15B
	Surge	1KV DM, 2KV CM
Other	Rated Lifetime	50,000Hrs

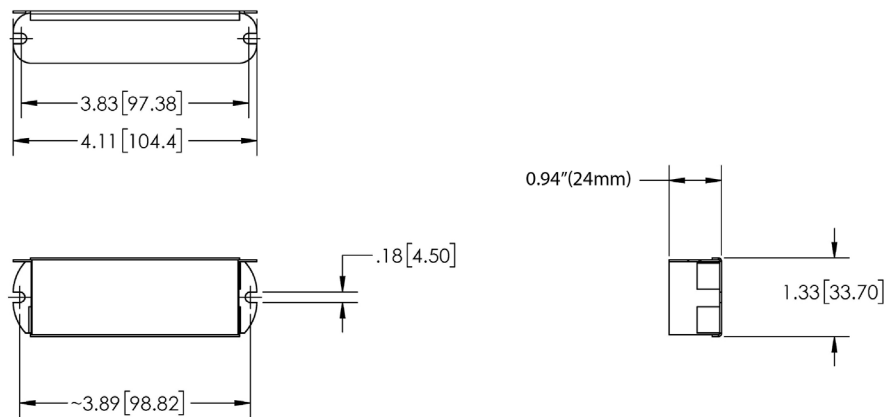
COMPATIBLE COB

Model	Size	Channels	Tuneable CCT	CRI	R9	Lumens
LTCOBI161605727	16 x 16mm	Dual	2200K - 6600K CCT	90+	60+	1080 lm

MECHANICAL SPECS

FORM FACTOR	DIMENSIONS	Mounting
L20	4.1”(104.4mm) x 1.3”(33.7mm) x 0.94”(24mm)	Side & Bottom
L20-01	4.1”(104.4mm) x 1.3”(33.7mm) x 0.88”(22.4mm)	Bottom

L20



L20-01

