

LDS200W24VUD Series
Constant Voltage

UNIDRIVER[®]



Efficiency	>87
Power Factor	>0.95
Case TC	90°C Max.
Protection	Input / Output
Storage	-30°C / +90°C
Humidity	95% RH Max.
IP Rating	IP67
Class	Class 1 Power Supply
Dimming	ELV, TRIAC, 0-10V
Output Voltage or Constant Current	24V



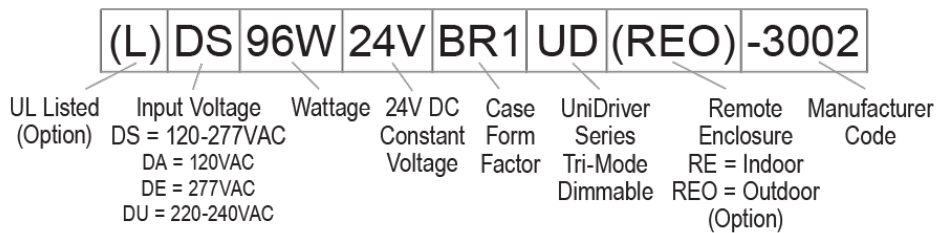
- Universal input 120 - 277V AC 50/60Hz
- True Tri Mode dimming at all input voltages: ELV, TRIAC, 0-10V
- Smooth dimming 100% - 0.1%
- Title 24 compliant, AAA rating
- Isolated output per NEC and UL safety requirements
- UL & EL recognized/listed, meets UL8750, 1310 requirements

FEATURES

- Auto-reset; short circuit, overload and thermal protection
- Low profile, small form factor, junction box mountable
- Efficient, high power factor >0.95

MODEL KEY

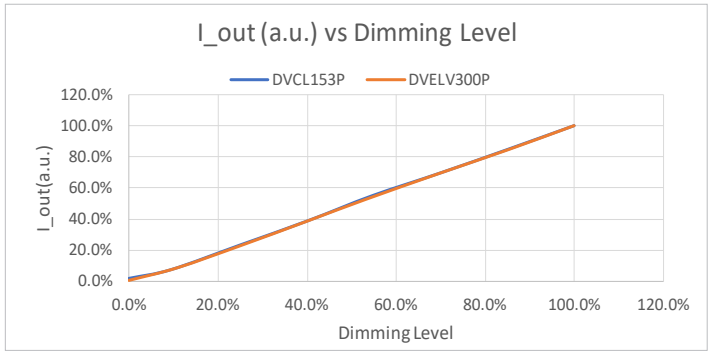
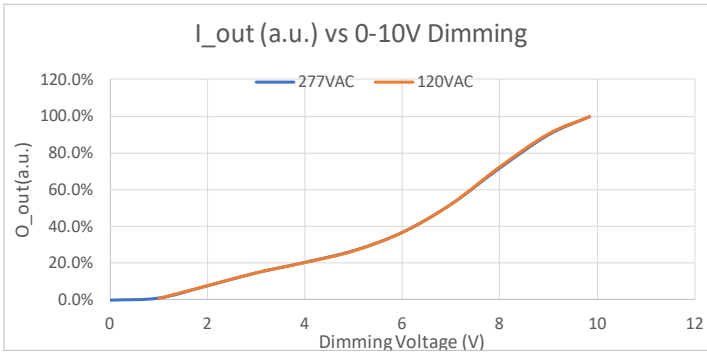
Model Number Key - Constant Voltage



MODEL SPECIFICATIONS

Constant Voltage						
Model Number	Input Voltage	Wattage	Output Voltage	Output Current	Weight	Available Form Factor
LDS200W24VUD-4002R1	120 - 277V AC 50/60 Hz	200W	24V DC	24V DC LED, 8.33A Max.	3.0 lbs.	BR3
LDS200W24VUDRE-J		200W	24V DC		4.0 lbs.	JR7

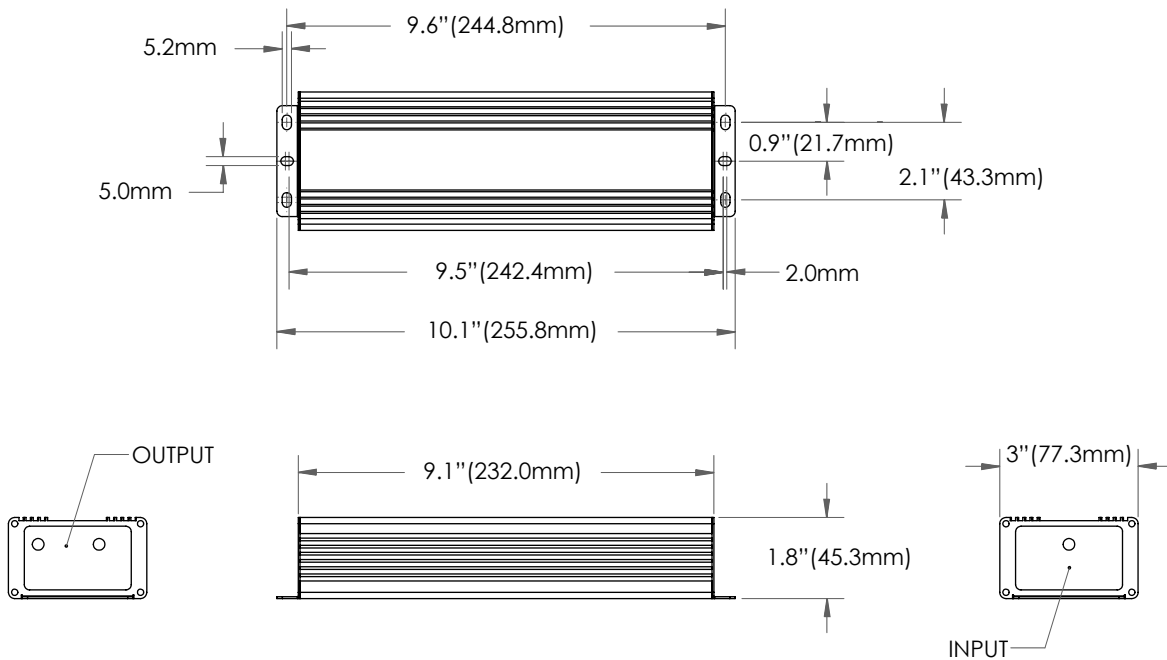
DIMMING CURVES



MECHANICAL SPECS

MODEL	DIMENSIONS
BR3	10"(255.8mm) x 3"(77.25mm) x 1.7"(45.25mm)
JR7	16.8"(425.5mm) x 3.2"(81mm) x 2.1"(52.3mm)

BR3



JR7

