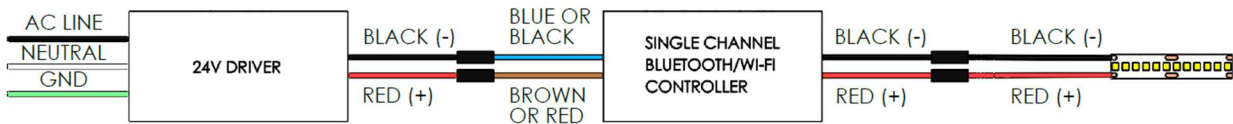


**Single Channel Controller with 24V Single CCT LED Tape:**

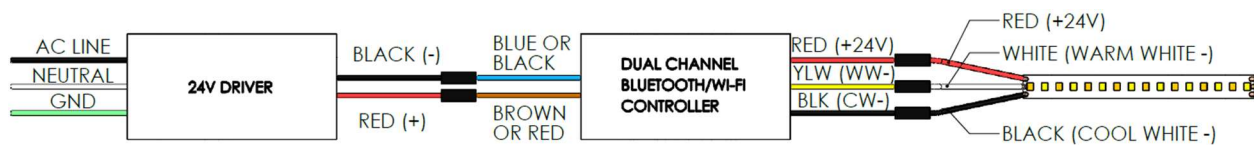


**Dual Channel Controller with 24V 2CH Light Tunable LED Tape:**

**A) Red, White and Yellow Tape Wires:**



**B) Red, White, and Black Tape Wires:**



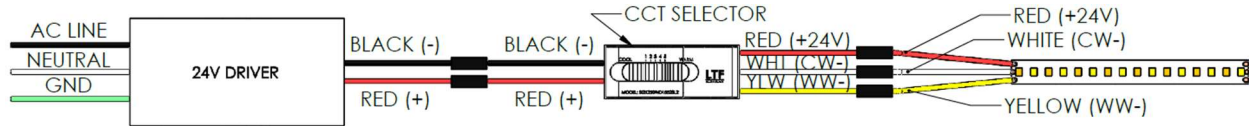
**NOTE:** If colors on controller output are different than shown, refer to label on controller for correct wiring.

**NOTE:** Match wires with same purpose (+24V, WW, CW) from controller to your version of LED tape. If you are soldering your own wires on LED tape, labels can be found near solder pads on the tape.

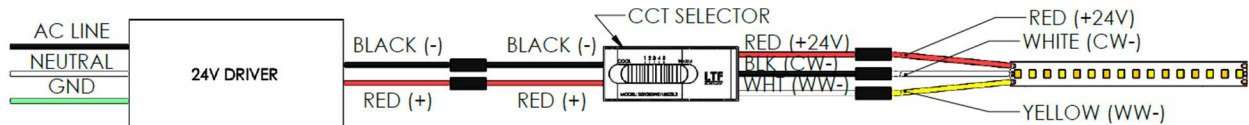
## Application Note – Wiring LED Tapes

### CCT Selectable Module with 24V 2CH Light Tunable LED Tape:

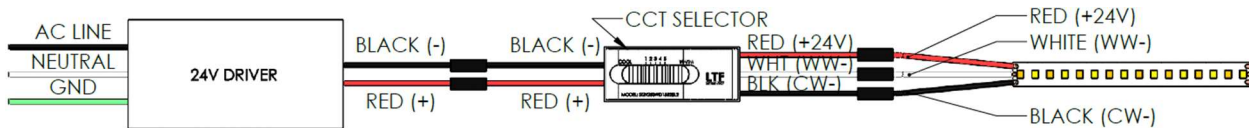
#### A) Red, White, Yellow Module Wires / Red, White, and Yellow Tape Wires:



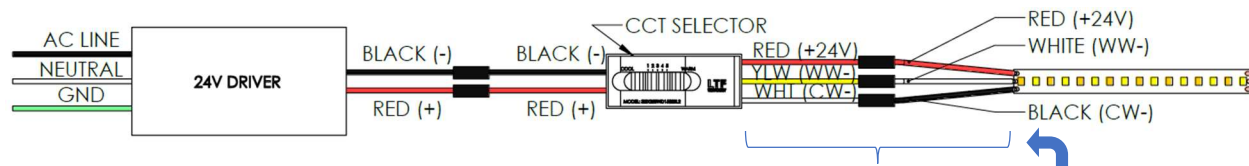
#### B) Red, White, and Black Module Wires / Red, White, and Yellow Tape Wires:



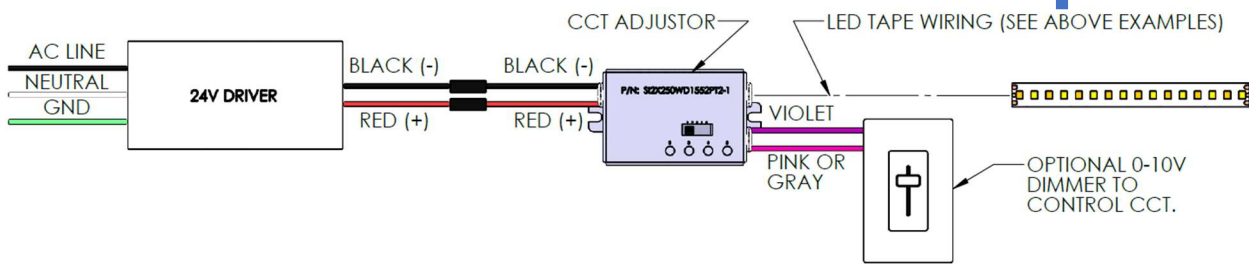
#### C) Red, White, and Black Module Wires / Red, White, and Black Tape Wires:



#### D) Red, White, and Yellow Module Wires / Red, White, and Black Tape Wires:

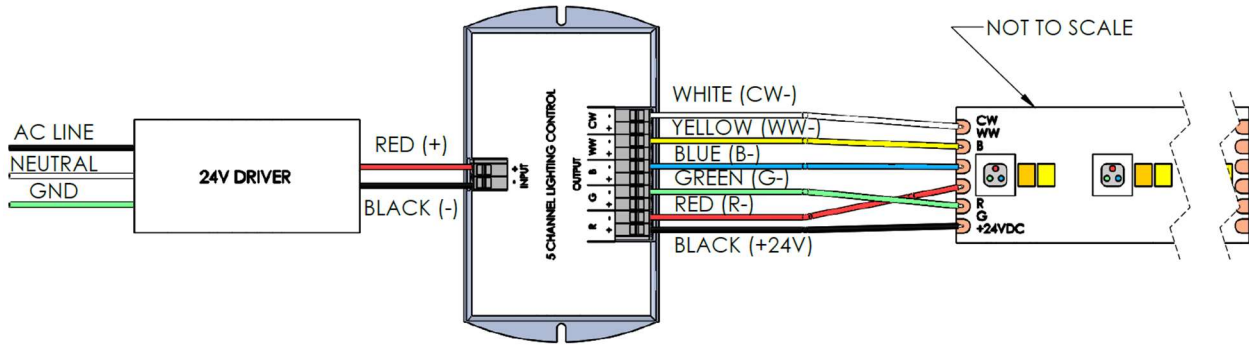


### CCT Adjustable Module with 24V 2CH Light Tunable LED Tape:

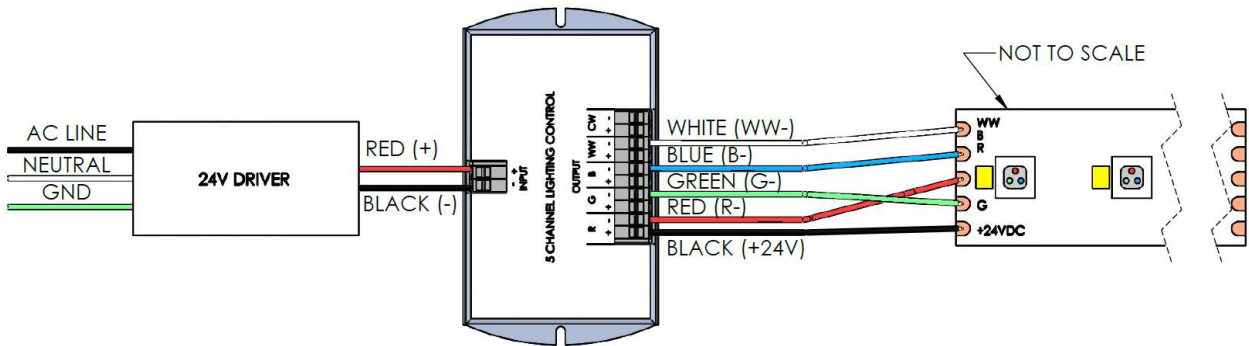


## Application Note – Wiring LED Tapes

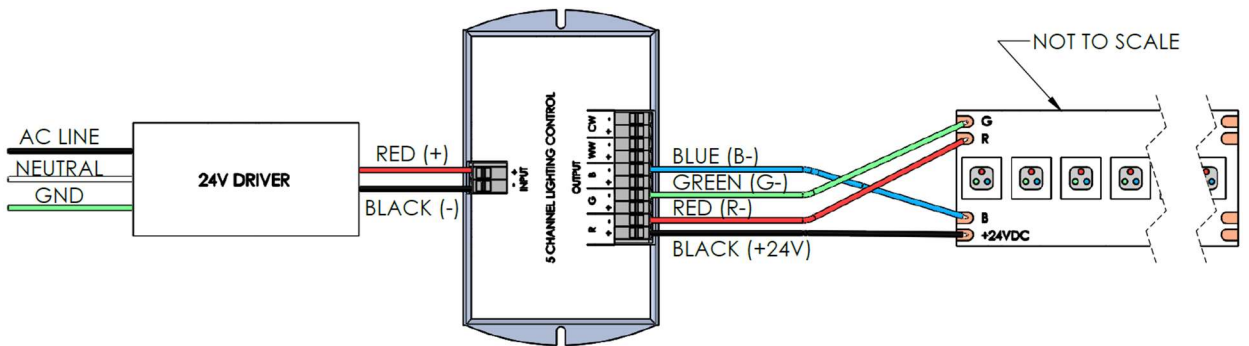
### Five Channel Controller with 24V RGBWW (6-Wires) LED Tape:



### Five Channel Controller with 24V RGBW (5-Wires) LED Tape:



### Five Channel Controller with 24V RGB (4-Wires) LED Tape:



**Pairing Note:** When pairing Five Channel Controller to **App** when controlling **4-Wire (RGB)** tape, temporarily move the **BLUE** wire to the **WW(-)** terminal during the pairing process so that the blue LEDs will act as a pairing indicator. After successful pairing, move the blue wire back to the **B(-)** terminal for normal operation.