

DS50W-3002/-0000 SERIES
Constant Current

UNIDRIVER[®]



Efficiency	>83%
Power Factor	>0.95
Case TC	90°C Max.
Protection	Input / Output
Storage	-30°C / +90°C
Humidity	95% RH Max.
IP Rating	IP44
Class	Class 2 Power Supply
Dimming	ELV, TRIAC, 0-10V
Constant Current	700mA - 2400mA



- Universal Input 120V - 277V AC 50/60Hz
- True Tri Mode dimming at all input voltages ELV, TRIAC, 0-10V
- Smooth, flicker free deep dimming 100% - 0.1%
- Title 24 compliant, AAA rating
- Class 2 power supply
- Isolated output power per NEC and UL safety requirements

FEATURES

- UL recognized/listed, meets UL 8750, 1310 requirements
- Auto-reset; short circuit, overload and thermal protection
- Low profile, small form factor, junction box mountable
- Efficient, high power factor >0.90

MODEL KEY

Model Number Key - Constant Current

(L)	DS	96W	2800C	1834	BR1	UD	(REO)	-3002
UL Listed (Option)	Input Voltage DS = 120-277VAC DA = 120VAC DE = 277VAC DU = 220-240VAC	Wattage	2800mA Constant Current	18V-34V DC Output Voltage Range	Case Form Factor	UniDriver Series Tri-Mode Dimmable	Remote Enclosure RE = Indoor REO = Outdoor (Option)	Manufacturer Code

MODEL SPECIFICATIONS

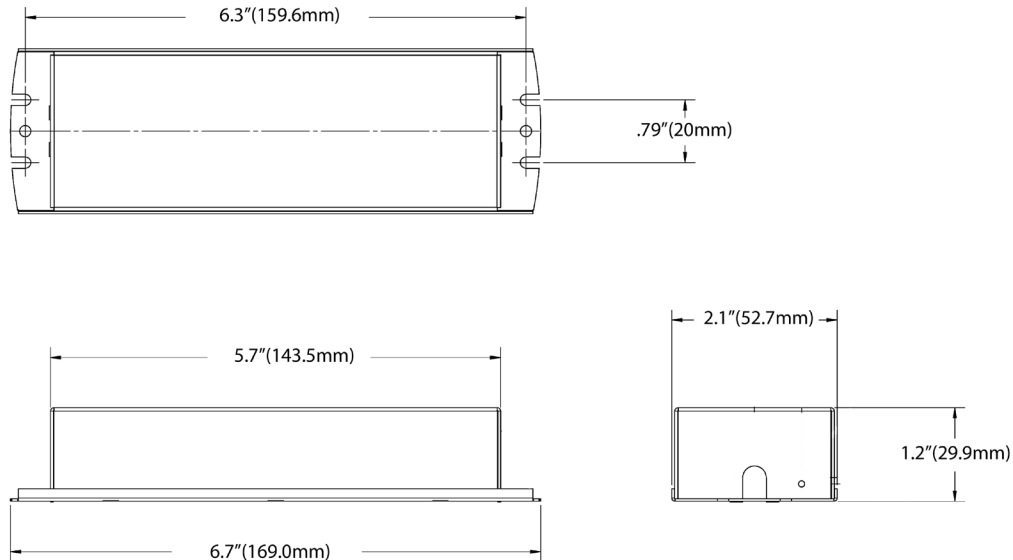
CONSTANT CURRENT					
Model Number	Input Voltage	Wattage	Output Voltage	Output Current	Available Form Factor
DS50W700CUD-3002/-0000	120-277V AC 47-63Hz	50W	56-71V DC	700mA	F5, R

CONSTANT CURRENT					
Model Number	Input Voltage	Wattage	Output Voltage	Output Current	Available Form Factor
DS50W900CUD-3002/-0000	120-277V AC 47-63Hz	50W	41-55V DC	900mA	F5, R
DS50W1100CUD-3002/-0000		50W	31-46V DC	1100mA	F5, R
DS50W1250CUD-3002/0000		50W	20-40V DC	1250mA	F5, R
DS50W1400CUD-3002/0000		50W	21-36V DC	1400mA	F5, R
DS50W1800CUD-3002/-0000		50W	13-28V DC	1800mA	F5, R
DS50W2100CUD-3002/-0000		50W	09-24V DC	2100mA	F5, R
DS50W2400CUD-3002/-0000		50W	06-21V DC	2400mA	F5, R

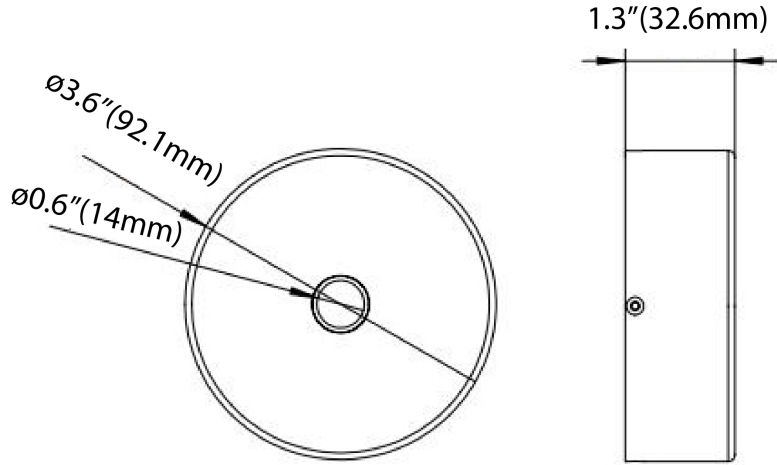
MECHANICAL SPECS

FORM FACTOR	DIMENSIONS
F5	6.7”(169mm) x 2.1”(52.7mm) x 1.2”(29.9mm)
R	ø3.6”(92.1mm) x 1.3”(32.6mm)

F5

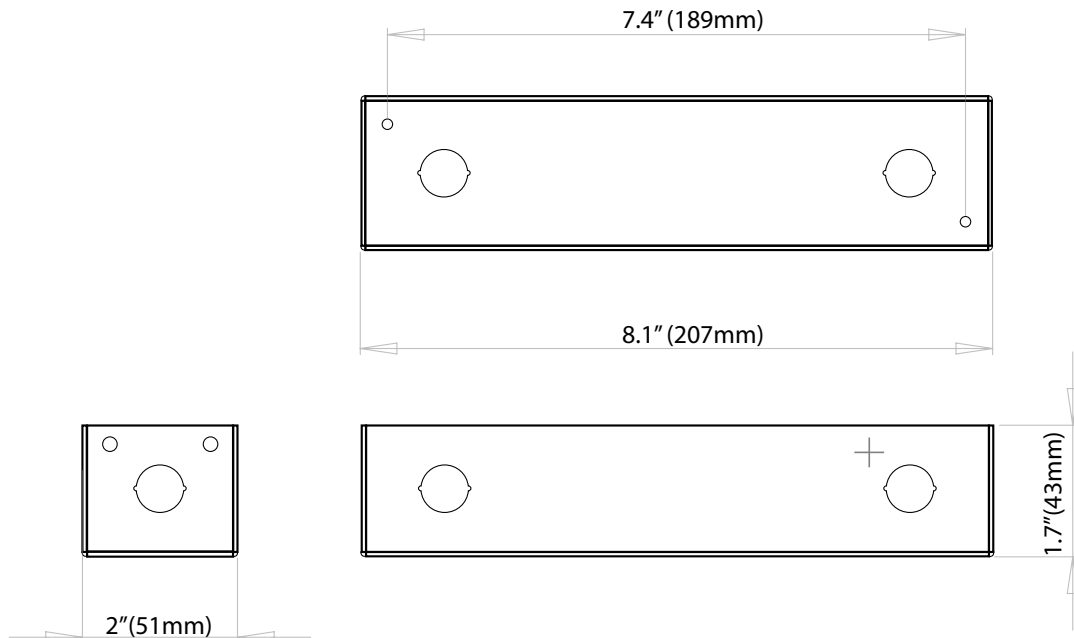


R



REMOTE ENCLOSURES	
FORM FACTOR	DIMENSIONS
G1 (Indoor)	8.1" (207mm) x 1.7" (43mm) x 2" (51mm)
G4 (Outdoor)	9.4" (238mm) x 2.6" (66mm) x 1.9" (48mm)

G1



G4

