

DA50W-3001 SERIES
50W Constant Current Driver



Efficiency	>80%
Power Factor	>0.95
Case TC	90°C Max.
Protection	Input / Output
Storage	-25°C / +80°C
Humidity	90% RH Max.
IP Rating	IP44
Class	Class 2 power supply
Dimming	ELV, TRIAC
Constant Current	700mA - 1400mA

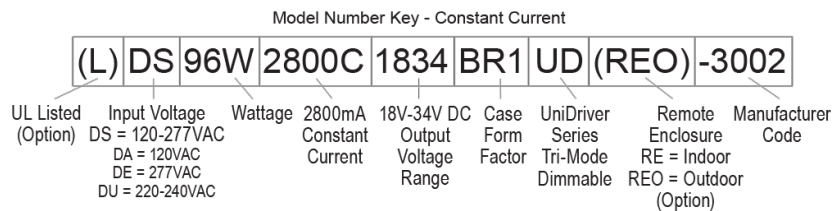


- California Title 24 compliant
- Isolated output power per NEC and UL safety requirements
- UL and ETL recognized/Listed UL 8750
- Auto-reset; short circuit, overload and thermal protection
- Dimmable with ELV and Triac dimming type dimmers

FEATURES

- Aluminum casing for optimal heat dissipation
- Low profile, small form factor
- Flicker free dimming and excellent dimming range
- Class 2 and other than Class 2 power supply
- Efficient, high power factor >0.90
- Low THD, FCC Compliant

MODEL KEY



MODEL SPECIFICATIONS

CONSTANT CURRENT

Model Number	Input Voltage	Wattage	Input Current	Output Voltage	Output Current	Available Form Factor
DA50W700C	120V AC 50/60Hz	50W	0.42A	50-70V DC	700mA	F5, R

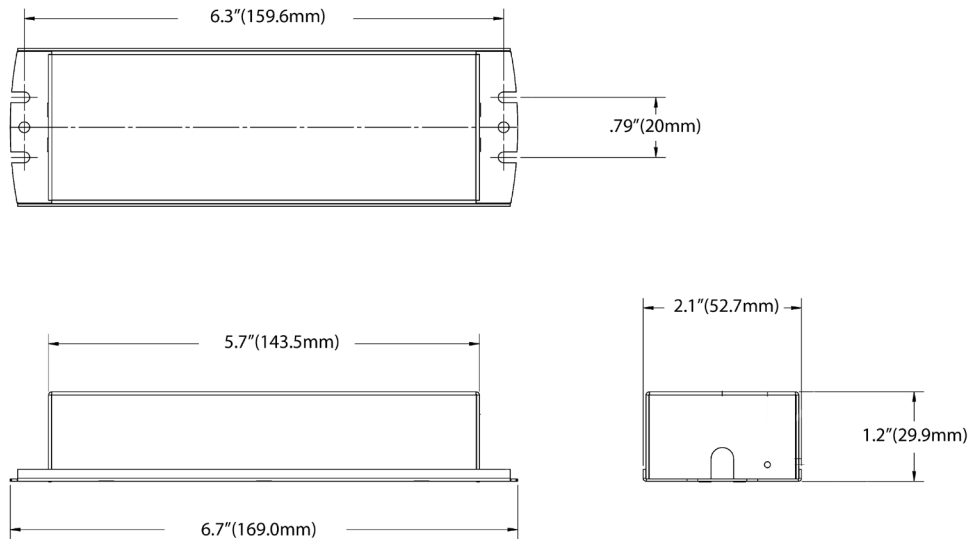
CONSTANT CURRENT

Model Number	Input Voltage	Wattage	Input Current	Output Voltage	Output Current	Available Form Factor
DA50W780C	120V AC 50/60Hz	50W	0.42A	45-64V DC	780mA	F5, R
DA50W850C		50W	0.42A	40-59V DC	850mA	F5, R
DA50W950C		50W	0.42A	34-53V DC	950mA	F5, R
DA50W1050C		50W	0.42A	29-18V DC	1050mA	F5, R
DA50W1100C		50W	0.42A	26-45V DC	1100mA	F5, R
DA50W1200C		50W	0.42A	23-42V DC	1200mA	F5, R
DA50W1250C		50W	0.42A	20-40V DC	1250mA	F5, R
DA50W1400C		50W	0.42A	17-36V DC	1400mA	F5, R

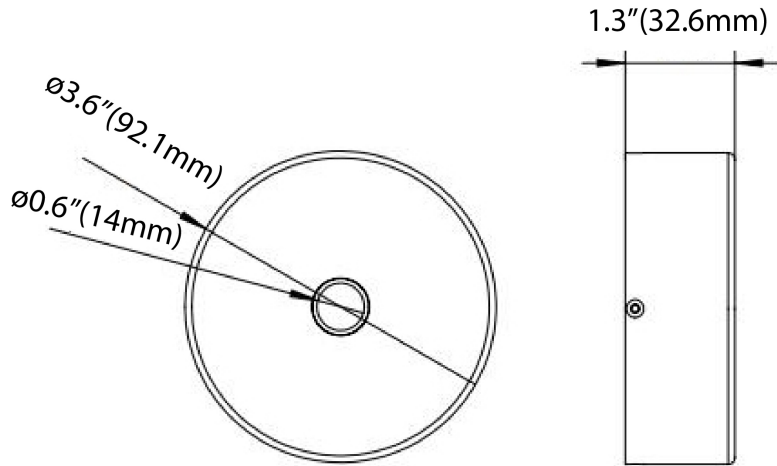
MECHANICAL SPECS

FORM FACTOR	DIMENSIONS
F5	6.7"(169mm) x 2.1"(52.7mm) x 1.2"(29.9mm)
R	ø3.6"(92.1mm) x 1.3"(32.6mm)

F5

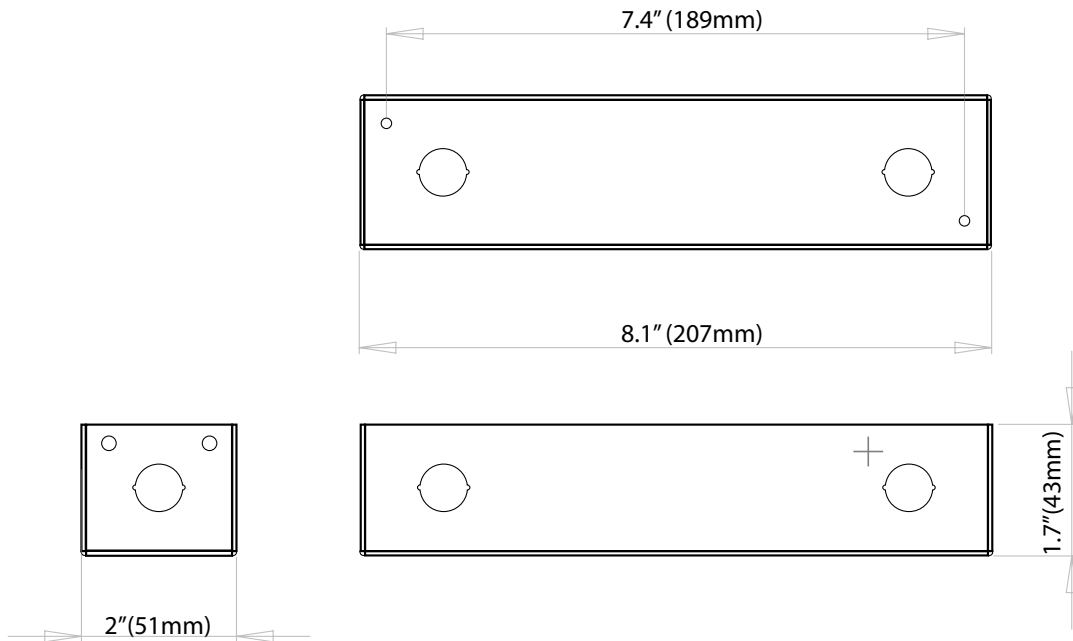


R



REMOTE ENCLOSURES	
FORM FACTOR	DIMENSIONS
G1 (Indoor)	8.1" (207mm) x 1.7" (43mm) x 2" (51mm)
G4 (Outdoor)	9.4" (238mm) x 2.6" (66mm) x 1.9" (48mm)

G1



G4

