

DS60W8001500C40BTW3-0000

CCT Tuning or Color Mixing



Efficiency	> 80%
Power Factor	> 0.90
Case TC	90°C Max
Protection	Input / Output
Storage	-30°C / +90°C
Humidity	95% RH Max.
IP Rating	IP44
Class	Class 2 Power Supply
Dimming	ELV, Triac, 0-10V
Output Voltage	800mA - 1500mA



- DIP Switch Adjustable Constant Current Output 800mA - 1500mA
- Fully dimmable with ELV, Triac & 0-10V dimmers 0-100%
- Flicker free dimming
- Title 24 Compliant, AAA rating
- Aluminum casing for optimal heat dissipation
- Isolated output power per NEC and UL safety requirements

FEATURES

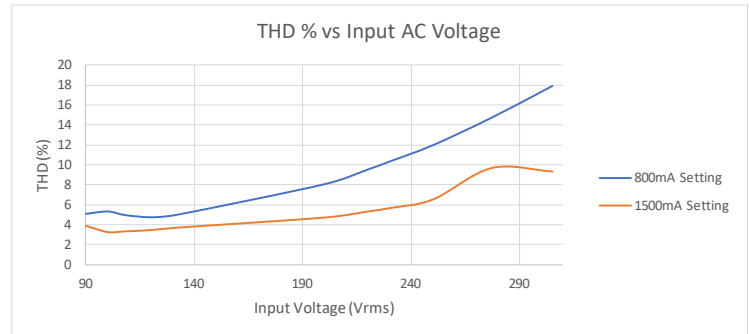
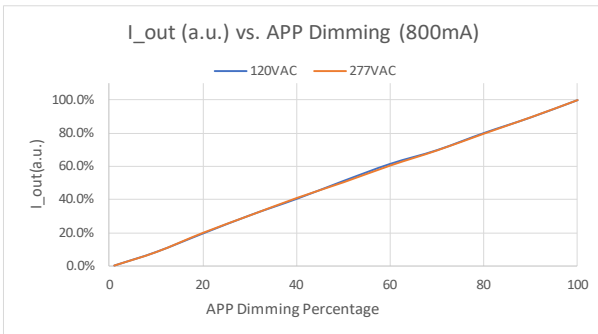
- UL & ETL recognized/ listed, meets UL 8750, 1310 requirements
- Auto-reset; short circuit, overload and thermal protection
- Low profile, small form factor
- Class 2 power supply
- Efficient, High power factor > 0.90

ELECTRICAL SPECIFICATIONS

Constant Current					
Model Number	Input Voltage	Wattage	Output Current	Load	Form Factor
DS50W6001300C40BTW3-0000	120-277V AC, 0.5A 50/60Hz	50W	600 mA	25V - 40V DC LED 3CH	F7
			700 mA		
			800 mA		
			900 mA		
			1000 mA		
			1100 mA		
			1200 mA		
			1300 mA		

Constant Current					
Model Number	Input Voltage	Wattage	Output Current	Load	Form Factor
DS60W8001500C40BTW3-0000	120-277V AC, 0.6A 50/60Hz	60W	800 mA	25V - 40V DC LED 3 CH	F7
			900 mA		
			1000 mA		
			1100 mA		
			1200 mA		
			1300 mA		
			1400 mA		
			1500 mA		

DIMMING CHARACTERISTICS

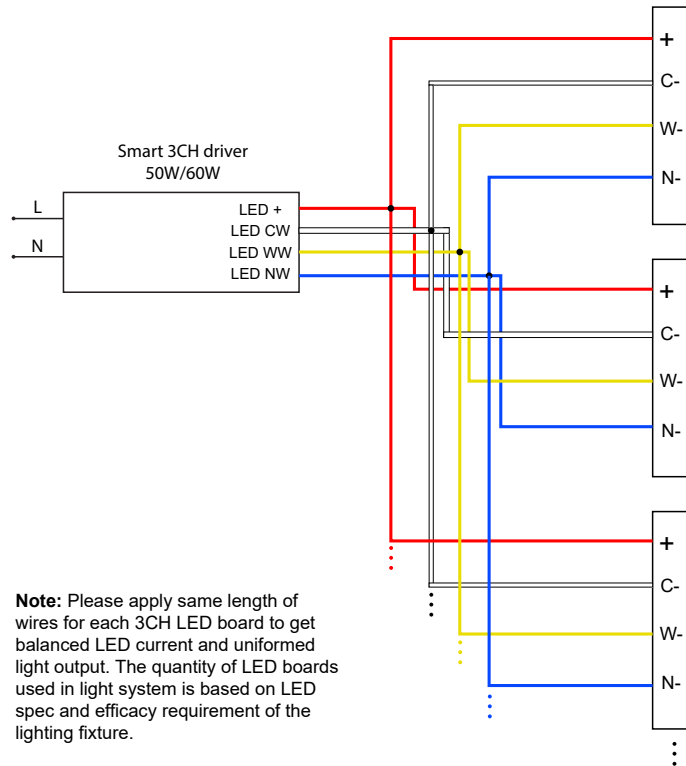


DIP SWITCH SETTINGS

● On
○ Off

1	2	3	Constant Current Output	Load
○	○	○	1500 mA	25V - 40V DC LED
●	○	○	1400 mA	
○	●	○	1300 mA	
●	●	○	1200 mA	
○	○	●	1100 mA	
●	○	●	1000 mA	
○	●	●	900 mA	
●	●	●	800 mA	

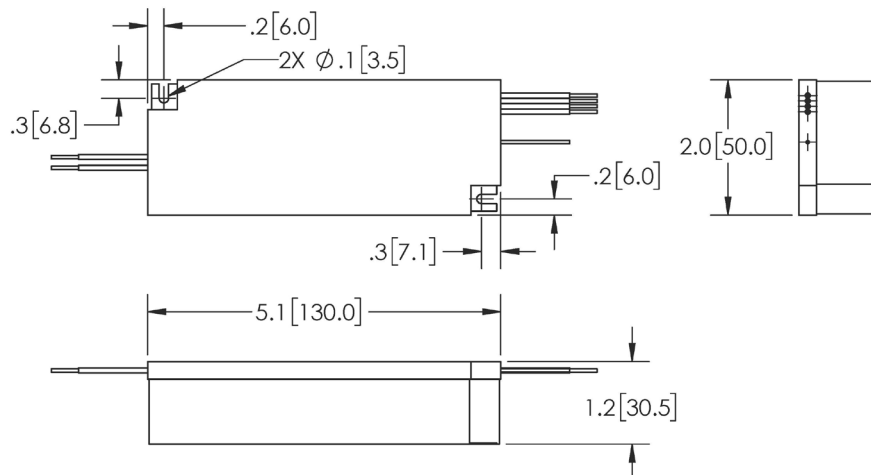
WIRING DIAGRAM



MECHANICAL SPECS

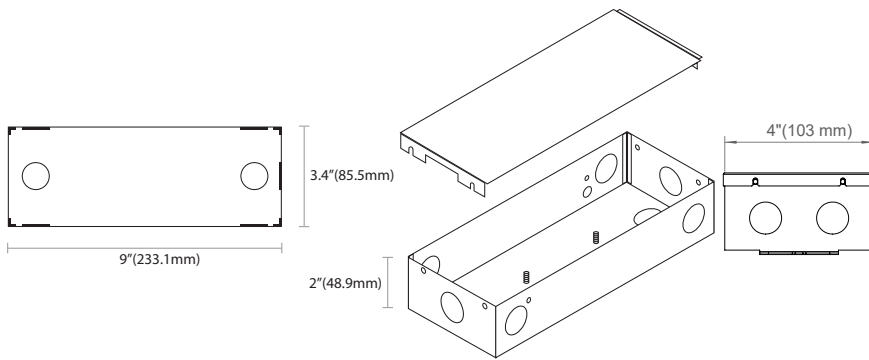
Form Factors	Dimintions
F7	5.1"(130mm) x 2"(50mm) x 1.2"(30.5mm)

F7



Remote Enclosure Option	
Form Factor	Dimensions
"G2"	233x85.5x49mm
"G3"	280x103x56mm

G2



G3

