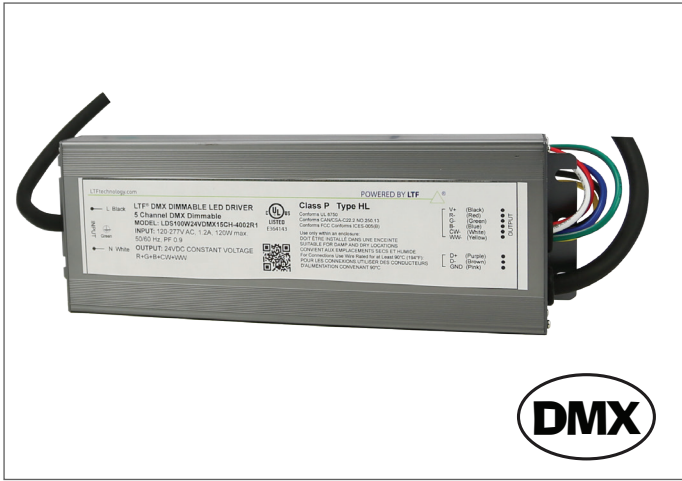


# LDS100W24VDMX15CH-4002R1

## Constant Voltage Driver

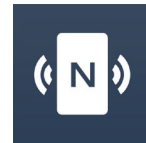


Efficiency	>83%
Power Factor	>0.90
Case TC	90°C Max.
Protection	Input / Output
Storage	-30°C / +90°C
Humidity	95% RH Max.
IP Rating	IP64
Class	Class P
Dimming	DMX
Output Voltage	24V



### FEATURES

- Universal Input 120V-277V AC 50/60Hz
- DMX 512 Dimming
- Smooth dimming 100%-0.1%
- Title 24 Compliant, AAA rating
- Isolated output power per NEC and UL safety requirements
- Auto-reset; short circuit, overload and thermal protection
- NFC for Tuning output voltage
- NFC for read and write address
- Low profile, (only 1" tall) small form factor, junction box mountable
- Efficient, high power factor > 0.90
- Type HL



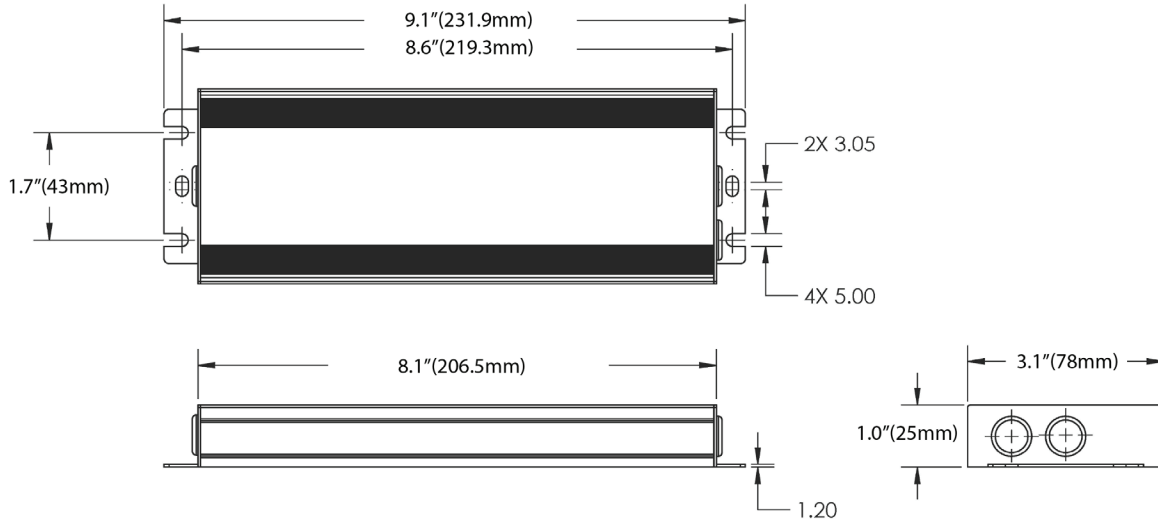
NFC tools  
Pro Edition

### ELECTRICAL SPECIFICATIONS

Constant Voltage					
Model Number	Input Voltage	Output Voltage	Output Current	Color Tuning	Available Form Factor
LDS100W24VDMX15CH-4002R1	120 - 277V AC 1.2A 50/60 Hz	24V	5 X 0.83A	RGBWW	BR6

**MECHANICAL SPECIFICATIONS**

FORM FACTOR	DIMENSIONS
BR6	9.1"(231.9mm) x 3.1"(78mm) x 1"(25mm)



**WIRING DIAGRAM**

INPUT	OUTPUT	DIMMING
Black - Hot White - Neutral Green - Ground	Black (+) Red, Green, Blue, Yellow, White (-)	Purple (+), Brown (-), Pink (Signal Common) Connet to a DMX dimmer positive, negative and ground.

**DIMMING OPERATIONS & CONNECTING DIAGRAM**

