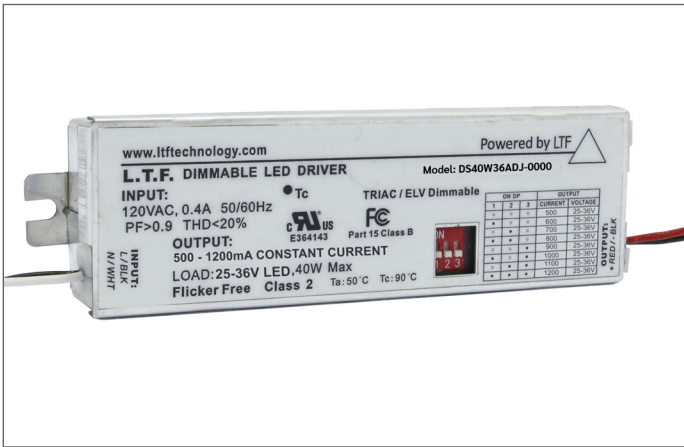


# DS40W36ADJ-0000 120-277V SERIES

## Adjustable Constant Current



Efficiency	> 80%
Power Factor	> 0.90
Case TC	90°C Max
Protection	Input / Output
Storage	-30°C / +90°C
Humidity	95% RH Max.
IP Rating	IP44
Class	Class 2 Power Supply
Dimming	ELV, Triac
Output Voltage	500mA - 1200mA



- DIP Switch Adjustable Constant Current Output 500mA - 1200mA
- Fully dimmable with ELV & Triac dimmers 0-100%
- Flicker free dimming
- Title 24 Compliant, AAA rating
- Aluminum casing for optimal heat dissipation
- Isolated output power per NEC and UL safety requirements

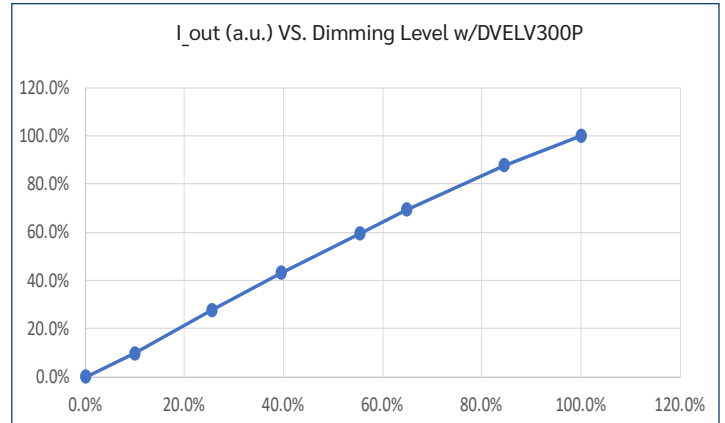
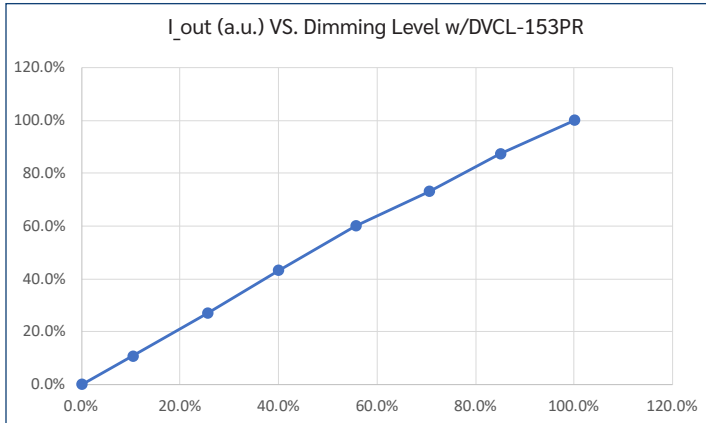
### FEATURES

- UL & ETL recognized/ listed, meets UL 8750, 1310 requirements
- Auto-reset; short circuit, overload and thermal protection
- Low profile, small form factor
- Class 2 power supply
- Efficient, High power factor > 0.90

### ELECTRICAL SPECIFICATIONS

Constant Current					
Model Number	Input Voltage	Wattage	Output Current	Load	Form Factor
DS40W5001200C36ADJUD	120-277V AC 50/60Hz	40W	500 mA	25V - 36V DC LED	J2, G2, G3
			600 mA		
			700 mA		
			800 mA		
			900 mA		
			1000 mA		
			1100 mA		
			1200 mA		

## DIMMING CHARACTERISTICS



## DIP SWITCH SETTINGS

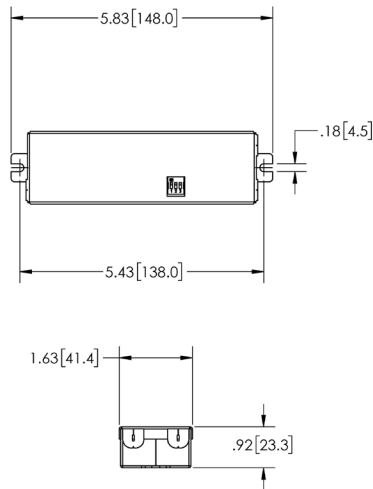
● On  
○ Off

1	2	3	Constant Current Output	Load
○	○	○	500 mA	25V - 36V DC LED
●	○	○	600 mA	
○	●	○	700 mA	
●	●	○	800 mA	
○	○	●	900 mA	
●	○	●	1000 mA	
○	●	●	1100 mA	
●	●	●	1200 mA	

**MECHANICAL SPECS**

Form Factors	Dimensions
"J2"	148x42x24mm

**J2**



Remote Enclosure Option	
Form Factor	Dimensions
"G2"	233x85.5x49mm
"G3"	280x103x56mm

**G2**

**G3**

