

**DS45W1200C2036UD SERIES**  
Constant Current

**UNIDRIVER**<sup>®</sup>



Efficiency	>85%
Power Factor	>0.95
Case TC	90°C Max.
Protection	Input / Output
Storage	-30°C / +90°C
Humidity	95% RH Max.
IP Rating	IP65
Class	Class 2 Power Supply
Dimming	ELV, TRIAC, 0-10V
Output Voltage or Constant Current	1200mA



- Universal dimming; ELV, TRIAC, and 0-10V
- Universal input voltage; 100 - 305V AC
- Exceeds Title 24 requirements
- Isolated output power per NEC and UL safety requirements
- UL recognized / Listed, UL8750, UL1310
- Auto-reset; Short circuit, Overload and thermal protection

**FEATURES**

- Superior thermal performance
- Aluminum case with high W/m.K encapsulating material
- Low profile, small form factor
- Class 2 power supply and other than Class 2 options
- Efficient, high power factor, low THD
- Constant current and constant voltage models

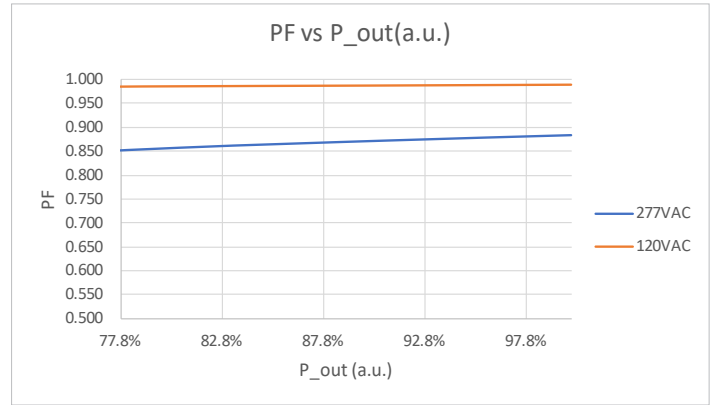
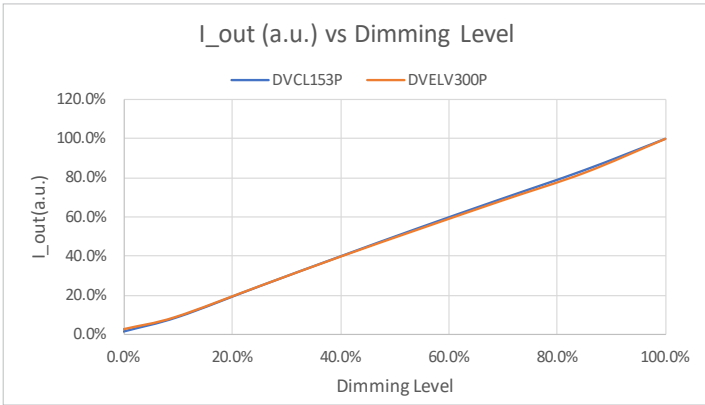
**MODEL KEY**

(L)	DS	96W	2800C	1834	BR1	UD	(REO)	-3002
UL Listed (Option)	Input Voltage DS = 120-277VAC DA = 120VAC DE = 277VAC DU = 220-240VAC	Wattage 96W	2800mA Constant Current	18V-34V DC Output Voltage Range	Case Form Factor	UniDriver Series Tri-Mode Dimmable	Remote Enclosure RE = Indoor REO = Outdoor (Option)	Manufacturer Code

**MODEL SPECIFICATIONS**

CONSTANT CURRENT					
Model Number	Input Voltage	Wattage	Output Voltage	Output Current	Available Form Factor
DS45W1200C2036UD-3002	100 - 305V AC 50/60Hz	45W	20V - 36V DC	1200mA	F5, SM2
DS45W1200C2038UD-0000		45W	20V - 38V DC	1200mA	F3

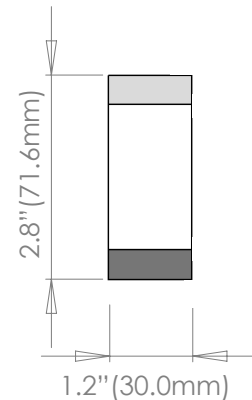
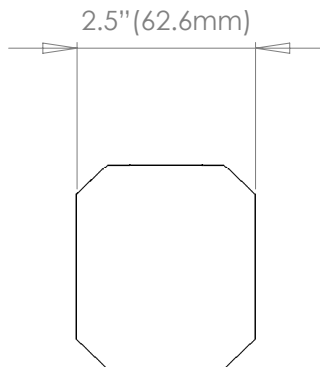
### DIMMING CURVES



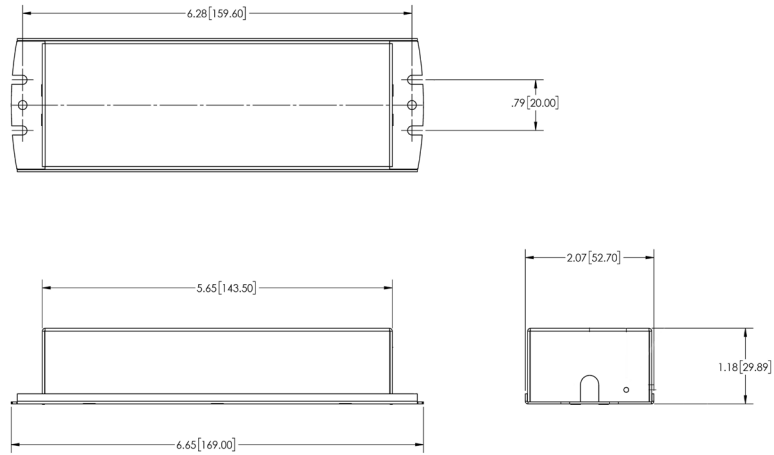
### MECHANICAL SPECS

FORM FACTOR	DIMENSIONS
F3	2.8”(71.6mm) x 2.5”(62.6mm) x 1.2”(30mm)
F5	6.7”(169mm) x 2.1”(52.7mm) x 1.2”(29.9mm)
SM2	4.3”(110mm) x 2.2”(55mm) x 0.9”(24mm)

### F3



**F5**



**SM2**

