

DL 5W-19W, 12V & 24V SERIES

Constant Current Low Voltage Dimmable Driver



Efficiency	>80%
Power Factor	>0.90
Case TC	90°C Max.
Protection	Input / Output
Storage	-30°C / +90°C
Humidity	95% RH Max.
IP Rating	IP 44
Class	Class 2 Power Supply
Dimming	ELV, CL



- Rated for 12V & 24V magnetic & electronic transformers
- Fully dimmable with electronic transformer & magnetic transformer power sources
- Flicker free dimming
- California Title 24 compliant
- Excellent choice to integrate in low voltage LED fixtures
- 150-900mA constant current options
- Aluminum casing for optimal heat dissipation

FEATURES

- Isolated output power per NEC and UL safety requirements
- UL & ETL recognized/listed, meets UL 8750, 1310 requirements
- Auto-reset; short circuit, overload and thermal protection
- Low profile, small form factor, junction box mountable
- Class 2 power supply
- Efficient, high power factor >0.90

MODEL SPECIFICATIONS

5 Watts, 12V Input					
Model Number	Input Voltage	Wattage	Output Voltage	Output Current	Available Form Factor
DL15W250C1420-3011/3001	12V AC 0-50KHz	5W	14-20V DC LED	250mA	A10

6 Watts, 12V Input					
Model Number	Input Voltage	Wattage	Output Voltage	Output Current	Available Form Factor
DL16W150C2940-3011/3001	12V AC 0.6A, 0-50KHz	6W	29-40V DC LED	150mA	A10
DL16W200C2630-3011/3001		6W	26-30V DC LED	200mA	A10
DL16W250C2024-3011/3001		6W	20-24V DC LED	250mA	A10
DL16W300C1721-3011/3001		6W	17-21V DC LED	300mA	A10
DL16W350C1418-3011/3001		6W	14-18V DC LED	350mA	A10
DL16W400C1115-3011/3001		6W	11-15V DC LED	400mA	A10
DL16W450C1014-3011/3001		6W	10-14V DC LED	450mA	A10
DL16W700C0509-3011/3001		6W	05-09V DC LED	700mA	A10

6 Watts, 24V Input					
Model Number	Input Voltage	Wattage	Output Voltage	Output Current	Available Form Factor
DL26W150C2940-3011/3001	24V AC 0.3A, 0.50KHz	6W	29-40V DC LED	150mA	A10
DL26W200C2630-3011/3001		6W	26-30V DC LED	200mA	A10
DL26W250C2124-3011/3001		6W	20-24V DC LED	250mA	A10
DL26W300C1721-3011/3001		6W	17-21V DC LED	300mA	A10
DL26W350C1418-3011/3001		6W	14-18V DC LED	350mA	A10
DL26W400C1115-3011/3001		6W	11-15V DC LED	400mA	A10
DL26W450C1014-3011/3001		6W	03-14V DC LED	450mA	A10
DL26W700C0509-3011/3001		6W	05-09V DC LED	700mA	A10

8 Watts, 12V Input					
Model Number	Input Voltage	Wattage	Output Voltage	Output Current	Available Form Factor
DL18W200C3040-3011/3001	12V AC 1A, 0.50KHz	8W	30-40V DC LED	200mA	A10
DL18W250C2935-3011/3001		8W	29-35V DC LED	250mA	A10
DL18W300C2226-3011/3001		8W	22-26V DC LED	300mA	A10
DL18W350C1923-3011/3001		8W	19-23V DC LED	350mA	A10
DL18W400C1721-3011/3001		8W	17-21V DC LED	400mA	A10
DL18W450C1417-3011/3001		8W	14-17V DC LED	450mA	A10
DL18W500C1216-3011/3001		8W	12-16V DC LED	500mA	A10
DL18W600C1014-3011/3001		8W	10-14V DC LED	600mA	A10

8 Watts, 24V Input					
Model Number	Input Voltage	Wattage	Output Voltage	Output Current	Available Form Factor
DL28W200C3040-3011/3001	24V AC 0.5A, 0.50KHz	8W	30-40V DC LED	200mA	A10
DL28W250C2935-3011/3001		8W	29-35V DC LED	250mA	A10
DL28W300C2226-3011/3001		8W	22-26V DC LED	300mA	A10
DL28W350C1923-3011/3001		8W	19-23V DC LED	350mA	A10
DL28W400C1721-3011/3001		8W	17-21V DC LED	400mA	A10
DL28W450C1417-3011/3001		8W	14-17V DC LED	450mA	A10
DL28W500C1216-3011/3001		8W	12-16V DC LED	500mA	A10
DL28W600C1014-3011/3001		8W	10-14V DC LED	600mA	A10

9 Watts, 12V Input

Model Number	Input Voltage	Wattage	Output Voltage	Output Current	Available Form Factor
DL19W250C2436-3011/3001	12V AC	9W	24-30V DC LED	250mA	A10
DL19W250C3037-3011/3001	1.4A, 0.50KHz	9W	30-37V DC LED	250mA	A10

9 Watts, 24V Input

Model Number	Input Voltage	Wattage	Output Voltage	Output Current	Available Form Factor
DL29W250C2430-3011/3001	12V AC	11W	24-30V DC LED	250mA	A10, R2
DL29W250C3236-3011/3001	1.4A, 0.50KHz	9W	32-36V DC LED	250mA	A10, R2

11 Watts, 12V Input

Model Number	Input Voltage	Wattage	Output Voltage	Output Current	Available Form Factor
DL111W300C3337-3011/3001	12V AC 1.4A, 0.50KHz	11W	33-37V DC LED	200mA	A10

12 Watts, 12V Input

Model Number	Input Voltage	Wattage	Output Voltage	Output Current	Available Form Factor
DL112W200C4960-3011/3001	12V AC 1.4A, 0.50KHz	12W	49-60V DC LED	200mA	A10
DL112W250C3748-3011/3001		12W	37-48V DC LED	250mA	A10
DL112W300C2940-3011/3001		12W	29-40V DC LED	300mA	A10
DL112W300C3337-3011/3001		12W	33-37V DC LED	300mA	A10
DL112W350C2435-3011/3001		12W	24-35V DC LED	350mA	A10
DL112W400C2230-3011/3001		12W	22-30V DC LED	400mA	A10
DL112W450C1927-3011/3001		12W	19-27V DC LED	450mA	A10
DL112W500C1724-3011/3001		12W	17-24V DC LED	500mA	A10
DL112W600C1520-3011/3001		12W	15-20V DC LED	600mA	A10
DL112W700C1418-3011/3001		12W	14-18V DC LED	700mA	A10
DL112W800C1215-3011/3001		12W	12-15V DC LED	800mA	A10
DL112W900C1014-3011/3001		12W	10-14V DC LED	900mA	A10

12 Watts, 24V Input					
Model Number	Input Voltage	Wattage	Output Voltage	Output Current	Available Form Factor
DL212W200C4960-3011/3001	24V AC 0.7A, 0.50KHz	12W	49-60V DC LED	200mA	A10
DL212W250C3748-3011/3001		12W	37-48V DC LED	250mA	A10
DL212W300C2940-3011/3001		12W	29-40V DC LED	300mA	A10
DL212W350C2435-3011/3001		12W	24-35V DC LED	350mA	A10
DL212W400C2230-3011/3001		12W	22-30V DC LED	400mA	A10
DL212W450C1927-3011/3001		12W	19-27V DC LED	450mA	A10
DL212W500C1724-3011/3001		12W	17-24V DC LED	500mA	A10
DL212W600C1520-3011/3001		12W	15-20V DC LED	600mA	A10
DL212W700C1418-3011/3001		12W	14-18V DC LED	700mA	A10
DL212W800C1215-3011/3001		12W	12-15V DC LED	800mA	A10
DL212W900C1014-3011/3001		12W	10-14V DC LED	900mA	A10

13 Watts, 12V Input					
Model Number	Input Voltage	Wattage	Output Voltage	Output Current	Available Form Factor
DL113W350C2435-3011/3001	12V AC/DC 0-50KHz	13W	24-35V DC LED	350mA	A10
DL113W350C3037-3011/3001		13W	30-37V DC LED	350mA	A10

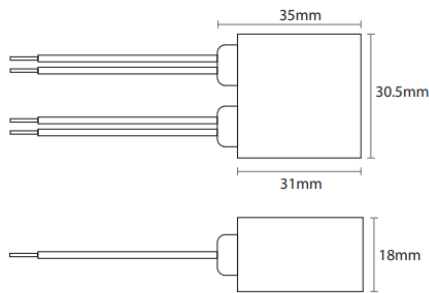
16 Watts, 12V Input					
Model Number	Input Voltage	Wattage	Output Voltage	Output Current	Available Form Factor
DL16W150C3337-3011/3001	12V AC/DC 0-50KHz	16W	33-37V DC LED	150mA	A10

19 Watts, 12V Input					
Model Number	Input Voltage	Wattage	Output Voltage	Output Current	Available Form Factor
DL19W250C2436-3011/3001	12V AC/DC 0-50KHz	19W	24-36V DC LED	250mA	A10

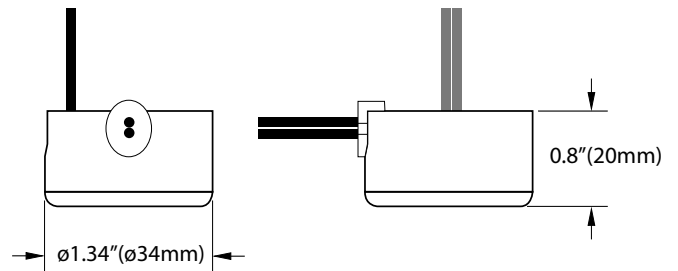
MECHANICAL SPECS

FORM FACTOR	DIMENSIONS
A10	35 (31) x 30.5 x 18mm
R2	ø1.34"(ø34mm) x 0.8"(20mm)

A10



R2

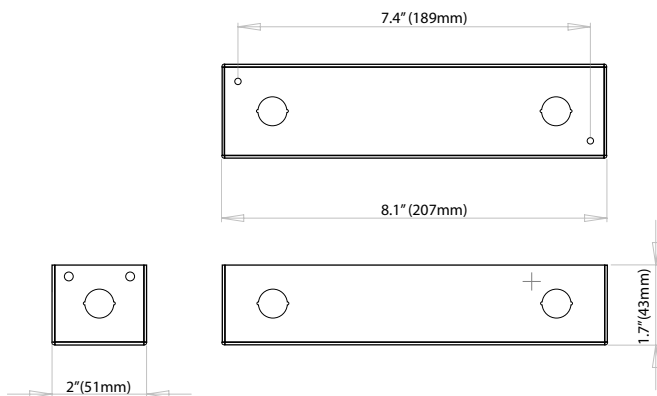


REMOTE ENCLOSURES - UL LISTED

FORM FACTOR	DIMENSIONS
G1 (damp rated)	8.1"(207mm) x 2"(51mm) x 1.7"(43mm)
G4 (wet rated)	9.4"(238mm) x 2.6"(66mm) x 1.9"(48mm)



G1



G4

