

30W DA30W-3001 120V Series

Constant Current Constant Voltage



Efficiency	>78%
Power Factor	>0.90
Case TC	80°C Max.
Protection	Input / Output
Storage	-30°C / +80°C
Humidity	95% RH Max.
IP Rating	IP 44
Class	Class 1, 2 Power Supply
Dimming	ELV, TRIAC
Output Voltage or Constant Current	350mA - 2500mA or 12V - 48V



FEATURES

- Dimmable with ELV and TRIAC type dimmers
- Exceeds Title 24 requirements
- Isolated output power per NEC and UL safety requirements
- Auto-reset; Short circuit, overload and thermal protection
- UL recognized / Listed, UL8750, UL1210
- Superior thermal Performance
- Low profile, small form factor
- Efficient, high power factor, low THD
- Constant current or Constant voltage models
- Class 2 power supply and other than Class 2 options



MODEL SPECIFICATIONS

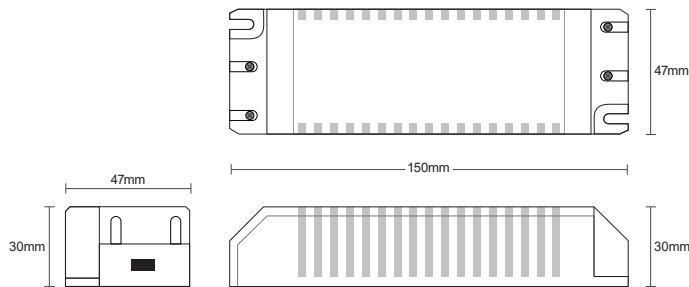
CONSTANT CURRENT						
Model Number	Input Voltage	Wattage	Class	Output Voltage	Output Current	Available Form Factor
DA30W350C2885-3001	120V AC, 0.3A, 50/60Hz	30W	Class 1	28-85V DC	350mA	PT2, SM2
DA30W400C2575-3001			Class 1	25-75V DC	400mA	
DA30W450C2266-3001			Class 1	22-66V DC	450mA	
DA30W700C1442-3001			Class 2	14-42V DC	700mA	
DA30W830C1236-3001			Class 2	12-36V DC	830mA	
DA30W1250C0824-3001			Class 2	8-24V DC	1250mA	
DA30W1660C0618-3001			Class 2	6-18V DC	1660mA	
DA30W2500C0412-3001			Class 2	4-12V DC	2500mA	

CONSTANT VOLTAGE						
Model Number	Input Voltage	Wattage	Class	Output Voltage	Load	Available Form Factor
DA30W12V-3001	120V AC, 0.3A, 50/60Hz	30W	Class 2	12V DC	12V DC LED, 2.5A Max.	PT2, SM2
DA30W24V-3001			Class 2	24V DC	24V DC LED, 1.25A Max.	
DA30W48V-3001			Class 2	48V DC	48V DC LED, 0.63A Max.	

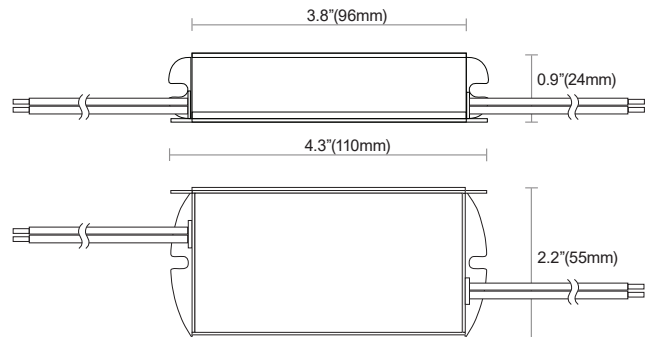
MECHANICAL SPECS

FORM FACTOR	DIMENSIONS
PT2	150 x 47 x 30mm
SM2	110 (96) x 55 x 24mm

PT2



SM2

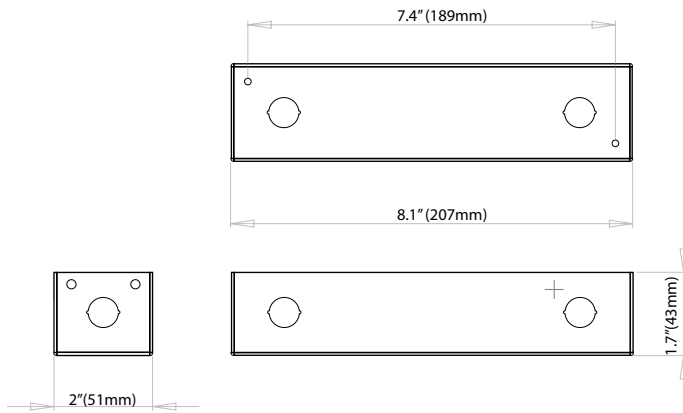


REMOTE ENCLOSURES - UL LISTED

FORM FACTOR	DIMENSIONS
DA30W-XXXX-RE-3001	150 x 47 x 30mm
DA30W-XXXX-REO-3001	238 (202) X 66 X 48mm



G1



G4

