

LDS200W-4002 SERIES
Constant Voltage

UNIDRIVER



Efficiency	>80%
Power Factor	>0.90
Case TC	90°C Max.
Protection	Input / Output
Storage	-30°C / +90°C
Humidity	95% RH Max.
IP Rating	IP67
Class	Class 1, 2 Power Supply
Dimming	ELV, TRIAC, 0-10V
Output Voltage	12V, 24V, 48V

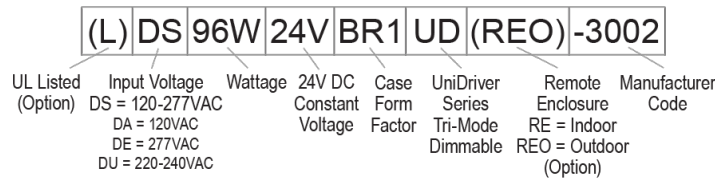


- Universal Input 120 - 277V AC 50/60Hz
- True Tri Mode dimming at all input voltages: ELV, TRIAC, 0-10V
- Smooth dimming 100% - 0.1%
- Title 24 compliant, AAA rating
- Isolated output power per NEC and UL safety requirements

FEATURES

- UL & ETL recognized/listed, meets UL8750, 1310 requirements
- Auto-reset; short circuit, overload and thermal protection
- Low profile, small form factor, junction box mountable
- Efficient, high power factor >0.90

MODEL KEY



MODEL SPECIFICATIONS

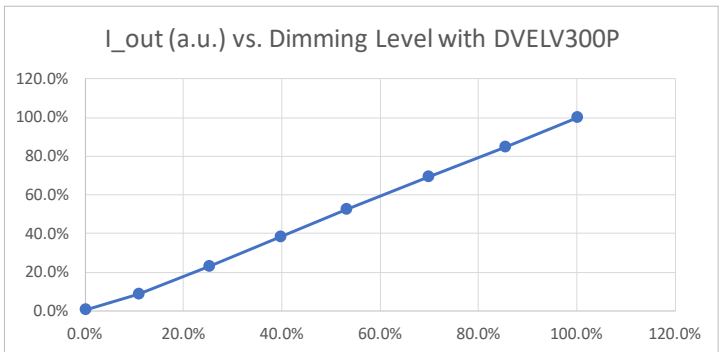
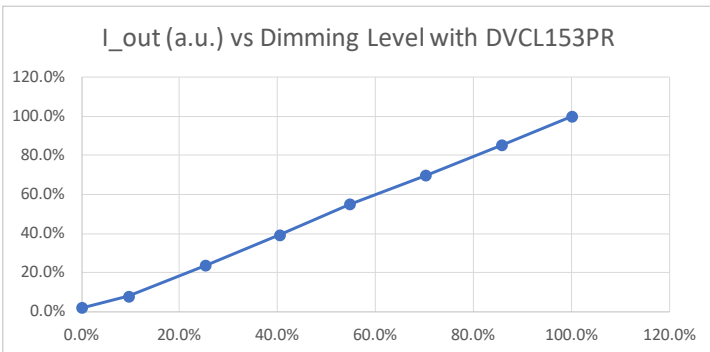
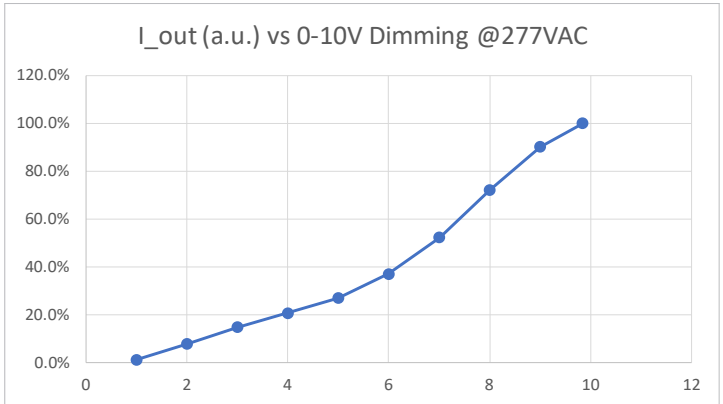
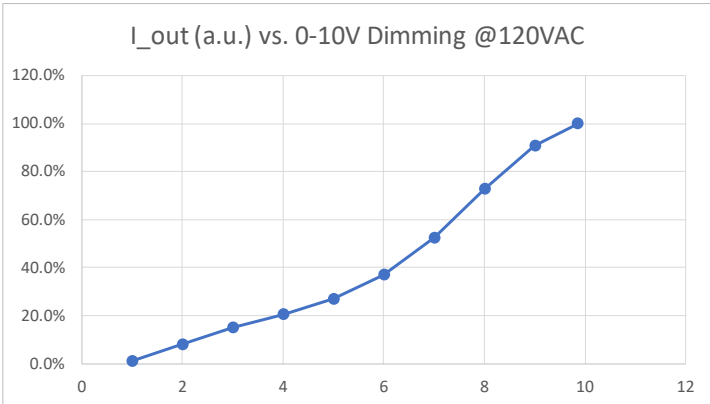
Constant Voltage					
Model Number	Input Voltage	Output Voltage	Output Current	Available Form Factor	Class 2
LDS200W12VBR3UD-4002	120 - 277V AC, 2.13A, 50/60HZ	12V DC	12V DC LED, 16.67A Max.	BR3	No
LDS200W24VBR3UD-4002		24V DC	24V DC LED, 8.33A Max.		No
LDS200W24V2CHBR3UD-4002		24V DC (2 CH)	24V DC LED, 4.2A Max. per channel		Yes
LDS200W48VBR3UD-4002		48V DC	48V DC LED, 4.17A Max.		Yes

Constant Voltage with Remote Enclosures

Model Number	Input Voltage	Output Voltage	Output Current	Available Form Factor	Class 2
LDS200W12VBR3UDREO-4002	120 - 277V AC, 2.13A, 50/60Hz	12V DC	12V DC LED, 16.67A Max.	G6	No
LDS200W24VBR3UDREO-4002		24V DC	24V DC LED, 8.33A Max.		No
LDS200W24V2CHBR3UDREO-4002		24V DC (2CH)	24V DC LED, 4.2A Max. per channel		Yes
LDS200W48VBR3UDREO-4002		48V DC	48V DC LED, 4.17A Max.		Yes

This device complies with Part 15 of the FCC Rules. Operation is subject to the following two conditions: (1) this device may not cause harmful interference, and (2) this device must accept any interference received, including interference that may cause undesired operation.

DIMMING CURVES

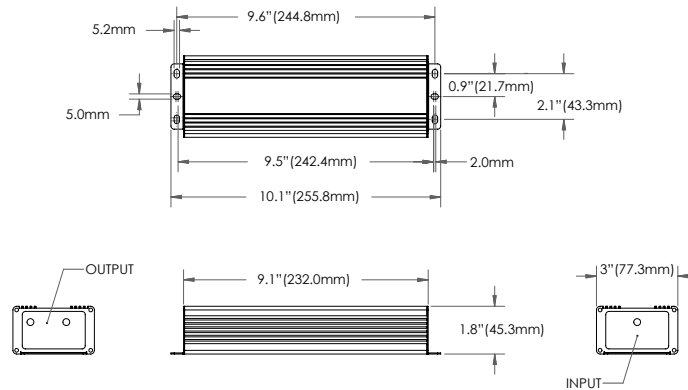


* Dimming curves based on model: DS200W24VBR3UD-4002

MECHANICAL SPECS

FORM FACTORS	DIMENSIONS
BR3	256 (232) x 77 x 45mm
G6	424 x 248 x 58mm

BR3



G6

