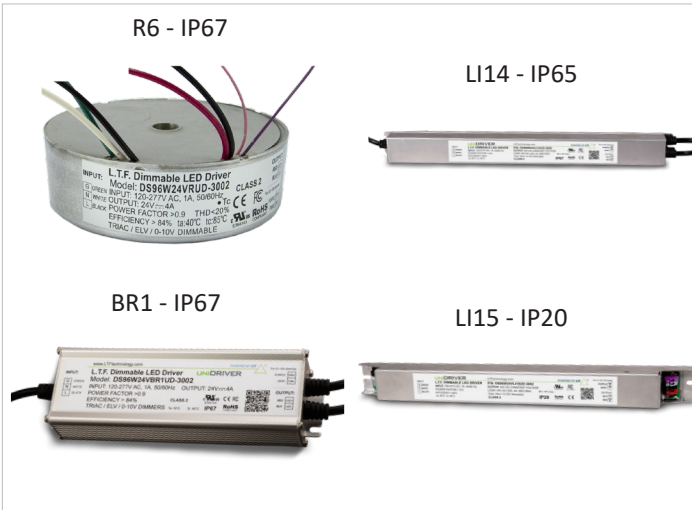


DS 96W 120-277V AC

Constant Current - Constant Voltage

UNIDRIVER[®]



Efficiency	> 84%
Power Factor	> 0.90
Case TC	90C° Max.
Protection	Input / Output
Storage	-30°C / +90°C
Humidity	95% RH Max.
IP Rating	IP20, IP65, IP67
Class	Class 2 Power Supply
Dimming	TRIAC/ELV/0-10V/1-10V
Constant Voltage or Constant Current	12V - 48V or 1600mA - 8000mA



- High performance LED driver
- Universal Input Voltage: 120-277V AC
- Universal dimming with ELV, Triac, 0-10V & 1-10V dimmers 100-1%
- Flicker free dimming
- Aluminum casing for optimal heat dissipation
- Isolated output power per NEC and UL safety requirements
- UL & ETL recognized/ listed, meets UL 8750, 1310 requirements

- Auto-reset; short circuit, overload and thermal protection
- Class 2 power supply
- Efficient, High power factor > 0.90
- Exceeds California Title 24 Requirements, AAA rating

FEATURES

MODEL NUMBER KEY

(L)	DS	96W	2800C	3652	BR1	UD	(REO)	-3002
UL Listed (Option)	Input Voltage DS = 120-277VAC DA = 120VAC DE = 277VAC DU = 220-240VAC	Wattage	2800C Constant Current / Constant Voltage	Output Voltage Range	Case Form Factor	UniDriver Series Tri-Mode Dimmable	Remote Enclosure RE = Indoor REO = Outdoor (Option)	Manufacturer Code

ELECTRICAL SPECIFICATIONS

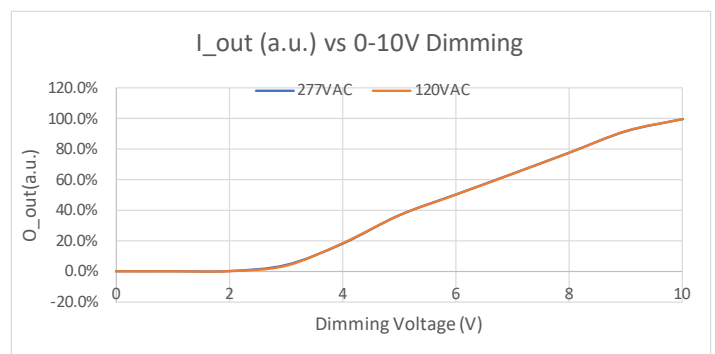
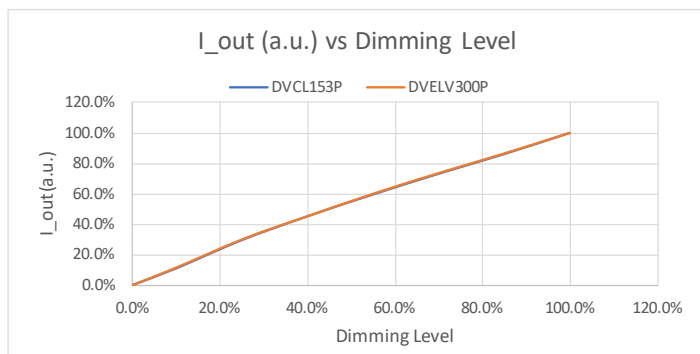
CONSTANT CURRENT				
Model Number	Input Voltage	Output Voltage	Output Current	Available Form Factor
DS96W1600C4460-XXX-UD-3002	100-277V AC 50/60Hz	44-60V DC	1600mA	LI14, LI15, BR1, R6
DS96W1800C3652-XXX-UD-3002		36-52V DC	1800mA	LI14, LI15, BR1, R6
DS96W2000C3248-XXX-UD-3002		32-48V DC	2000mA	LI14, LI15, BR1, R6
DS96W2100C3046-XXX-UD-3002		30-46V DC	2100mA	LI14, LI15, BR1, R6

CONSTANT CURRENT				
Model Number	Input Voltage	Output Voltage	Output Current	Available Form Factor
DS96W2200C2844-XXX-UD-3002	100-277V AC 50/60Hz	28-44V DC	2200mA	LI14, LI15, BR1, R6
DS96W2400C2840-XXX-UD-3002		24-40V DC	2400mA	LI14, LI15, BR1, R6
DS96W2800C1834-XXX-UD-3002		18-34V DC	2800mA	LI14, LI15, BR1, R6
DS96W3200C1430-XXX-UD-3002		14-30V DC	3200mA	LI14, LI15, BR1, R6
DS96W3600C1127-XXX-UD-3002		11-27V DC	3600mA	LI14, LI15, BR1, R6
DS96W4000C0824-XXX-UD-3002		08-24V DC	4000mA	LI14, LI15, BR1, R6

CONSTANT VOLTAGE				
Model Number	Input Voltage	Output Voltage	Output Current	Available Form Factor
DS96W12V-XXX-UD-3002	120-277VAC 50/60Hz	12V DC	8000mA	LI14, LI15, BR1, R6
DS96W24V-XXX-UD-3002		24V DC	4000mA	LI14, LI15, BR1, R6
DS96W36V-XXX-UD-3002		36V DC	2667mA	LI14, LI15, BR1, R6
DS96W48V-XXX-UD-3002		48V DC	2000mA	LI14, LI15, BR1, R6

**XXX = Form Factor

DIMMING CHARACTERISTICS



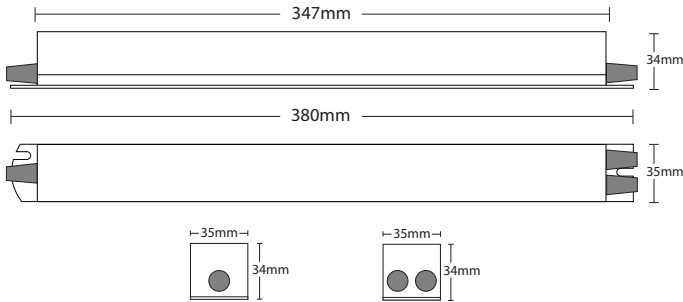
*Dimming tests based off Model : DS96W24VL115UD-3002

MECHANICAL SPECS

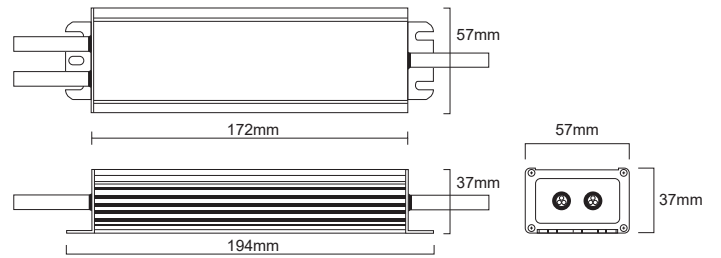


Form Factors	Dimensions
LI15	360 x 34 x 34mm
LI14	380 x 34 x 35mm
BR1	194 (172) x 57 x 37mm
R6	∅125mm x 40mm

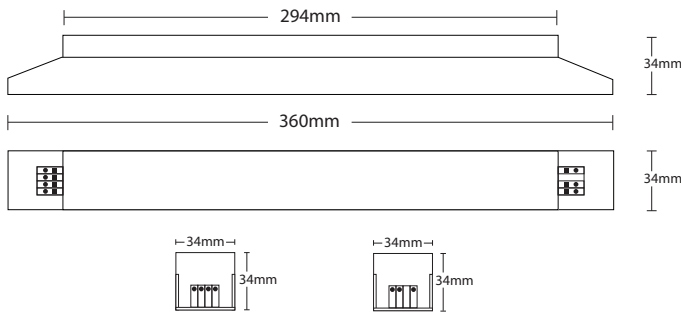
LI14 (IP65)



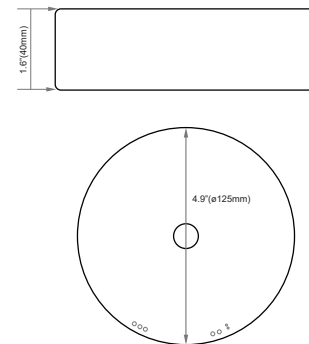
BR1 (IP67)



LI15 (IP20)



R6 (IP67)



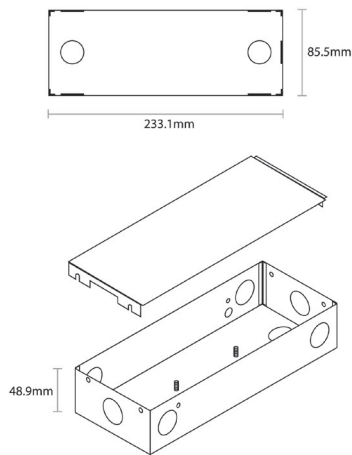
MECHANICAL SPECS FOR UL LISTED MODELS



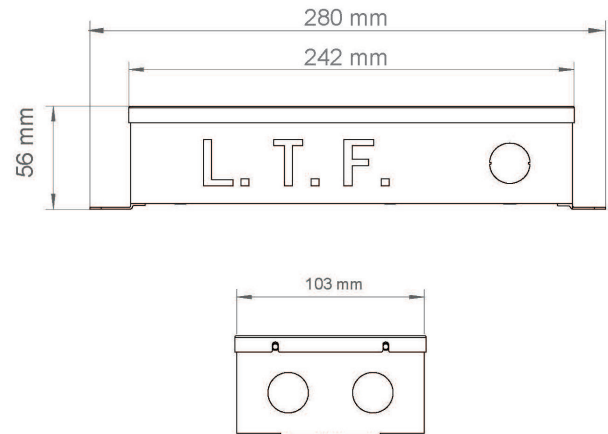
REMOTE ENCLOSURE OPTIONS FOR SINGLE 96W		
Model Number	Dimensions	Form Factor
LDS96W-XXX-BR1-UD-RE-3002	233 x 85.5 x 49mm	G2 (damp location)
LDS96W-XXX-BR1-UD-REO-3002	280 x 103 x 56mm	G3 (wet location)

****XXX = Form Factor**

G2 (damp location)



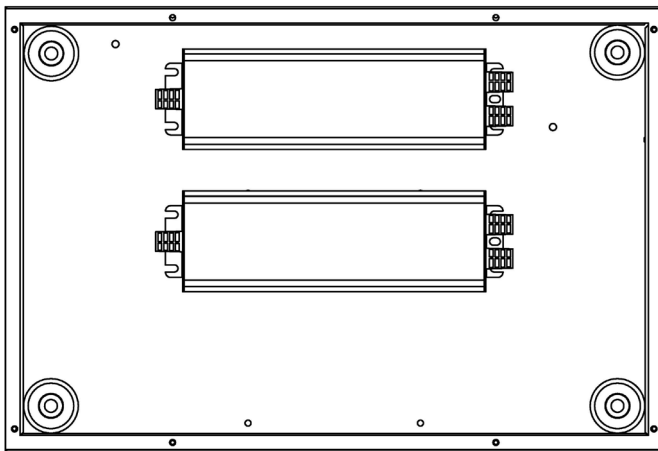
G3 (wet location)



REMOTE ENCLOSURE OPTIONS FOR MULTIPLE 96W

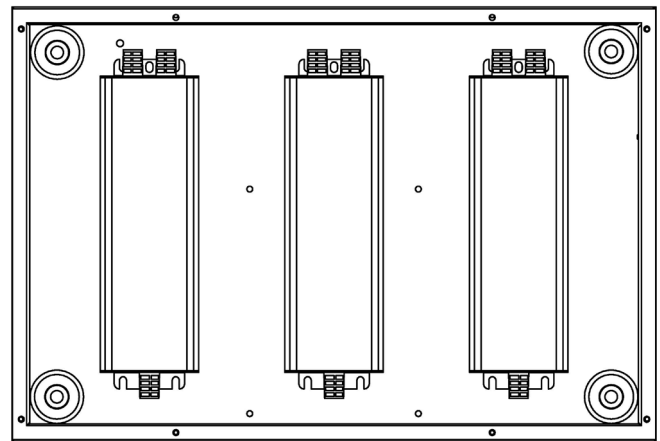
Model Number	Dimensions	Watt	Form Factor
LDS96W-XXX-BR1-UD-REO2-3002	370 x 250 x 58mm	2 X 96W	G6 (2 X 96W)
LDS96W-XXX-BR1-UD-REO3-3002	370 x 250 x 58mm	3 X 96W	G6 (3 X 96W)

G6 (2 x 96W)



(2) 96W DRIVERS

G6 (3 x 96W)



(3) 96W DRIVERS