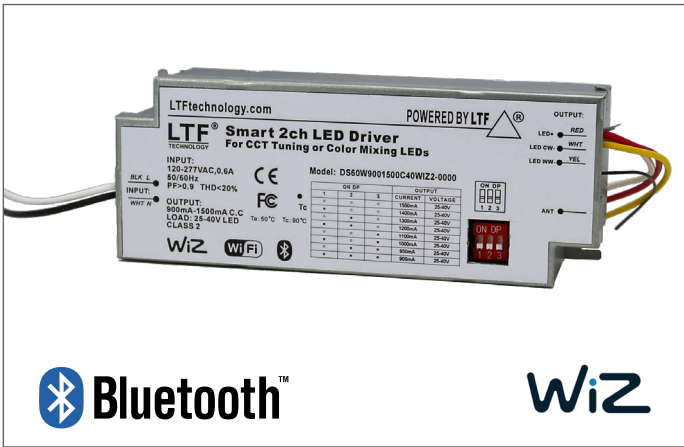


DS60W9001500C40WIZ2-0000

Wireless Control 2 Channel Tunable, Selectable Current Driver



Efficiency	> 85%
Power Factor	> 0.90
Case TC	90°C Max
Protection	Input / Output
Storage	-30°C / +90°C
Humidity	95% RH Max.
IP Rating	IP44
Class	Class 2 Power Supply
Dimming	Wireless
Output Selection	600mA - 1300mA



- Bluetooth wireless capability
- DIP Switch Adjustable Constant Current Output 900mA - 1500mA
- Dimmable with Tuya app, 8% - 100%
- Flicker free dimming
- Title 24 Compliant, AAA rating
- Aluminum casing for optimal heat dissipation
- Isolated output power per NEC and UL safety requirements

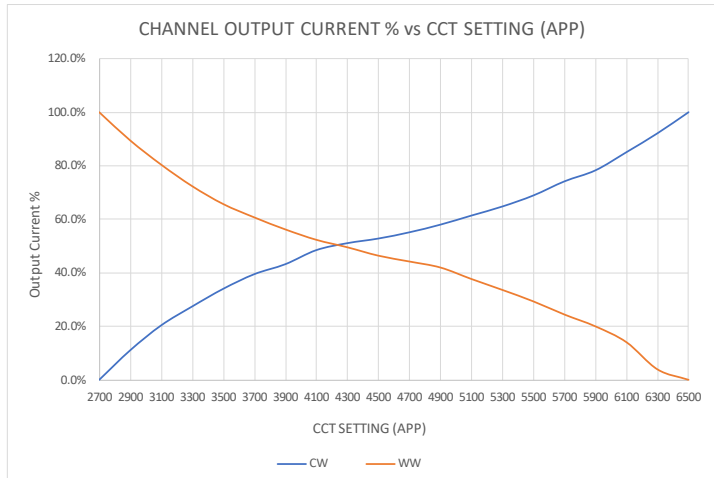
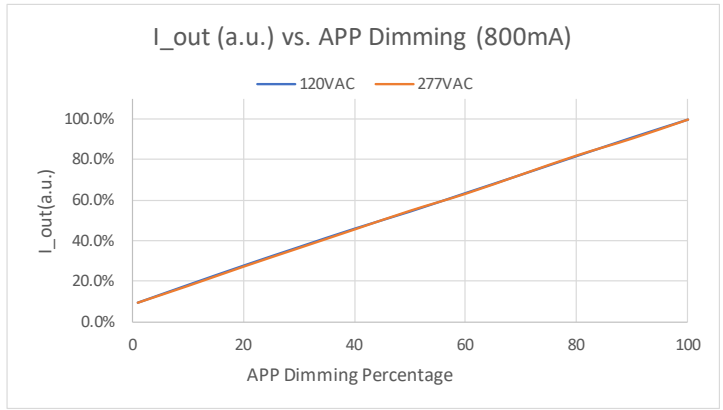
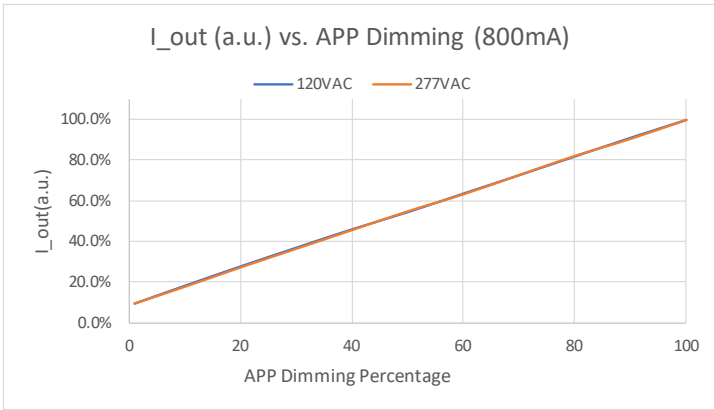
FEATURES

- UL & ETL recognized/ listed, meets UL 8750, 1310 requirements
- Auto-reset; short circuit, overload and thermal protection
- Low profile, small form factor
- Class 2 power supply
- Efficient, High power factor > 0.90

ELECTRICAL SPECIFICATIONS

Constant Current					
Model Number	Input Voltage	Wattage	Output Current	Load	Form Factor
DS60W9001500C40WIZ2-0000	120-277V AC, 0.6A 50/60Hz	60W	900 mA	25V - 40V Constant Current LED	F7
			950 mA		
			1000 mA		
			1100 mA		
			1200 mA		
			1300 mA		
			1400 mA		
			1500 mA		

DIMMING CHARACTERISTICS



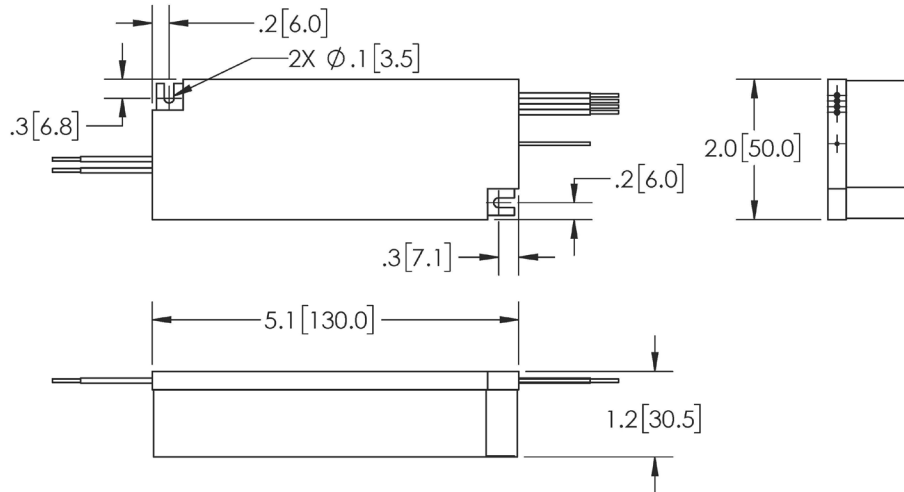
DIP SWITCH SETTINGS

● On
○ Off

1	2	3	Constant Current Output	Load
○	○	○	1500 mA	25V - 40V DC LED
●	○	○	1400 mA	
○	●	○	1300 mA	
●	●	○	1200 mA	
○	○	●	1100 mA	
●	○	●	1000 mA	
○	●	●	950 mA	
●	●	●	900 mA	

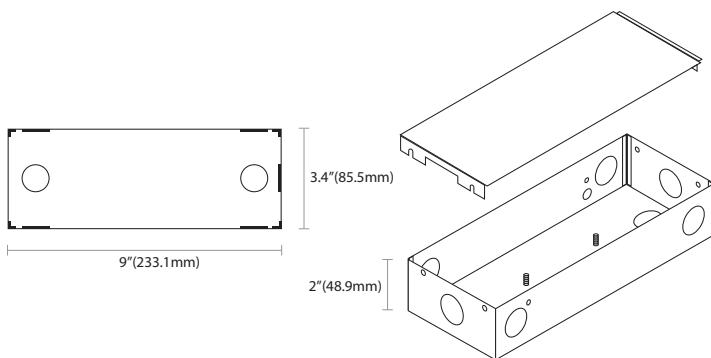
MECHANICAL SPECS

Form Factors	Dimensions
F7	5.1”(130mm) x 2”(50mm) x 1.2”(30.5mm)



Remote Enclosure Option	
Form Factor	Dimensions
“G2”	9”(233mm) x 3.4”(85.5mm) x 2”(49mm)
“G3”	11”(280mm) x 4”(103x56mm) x 2.2”(56mm)

G2



G3

