

200W TA, TU WA, WD Series No-Load Electronic Transformer



Efficiency	>85%
Power Factor	>98%
Case TC	90°C Max.
Protection	Input/Output
Storage	-30°C/+90°C
Humidity	95% RH Max.
Class	Class 2 Power Supply
Dimming	ELV Dimming



FEATURES

- No Load technology, works with both Halogen & LED AC loads **
- Isolated output power per NEC and UL safety requirements
- UL recognized/listed Class 2 power supply, meets UL 2108 requirements
- Auto-reset; Short circuit, overload and thermal protection
- Soft start
- Dimmable
- Low profile, small compact design to fit in most enclosures

ELECTRICAL SPECIFICATIONS

120V						
Model Number	Input Voltage	Input Current	Output Voltage	Weight	Load Type	Form Factor
TA200WA24	120V AC, 50/60Hz	1.67A	24V AC	300g	Incandescent & Halogen Bulbs	E2
TA200WDS24		1.67A	24V DC	300g	Incandescent & Halogen Bulbs	E4
TA200WDS24LED		1.67A	24V DC	300g	LED Strips, LED Bulbs, Incandescent & Halogen Bulbs	E3
TA200WD24LEDL		1.67A	24V DC	300g	LED Strips, LED Bulbs, Incandescent & Halogen Bulbs	E4

120V Remote						
Model Number	Input Voltage	Input Current	Output Voltage	Weight	Load Type	Form Factor
TA200WDS24RE	120V AC, 50/60Hz	1.67A	24V DC	773g	Incandescent & Halogen Bulbs	G2
TA200WDS24REO		1.67A	24V DC	1097g	Incandescent & Halogen Bulbs	G3
TA200WDS24LEDRE		1.67A	24V DC	773g	LED Strips, LED Bulbs, Incandescent & Halogen Bulbs	G2
TA200WDS24LEDREO		1.67A	24V DC	1097g	LED Strips, LED Bulbs, Incandescent & Halogen Bulbs	G3

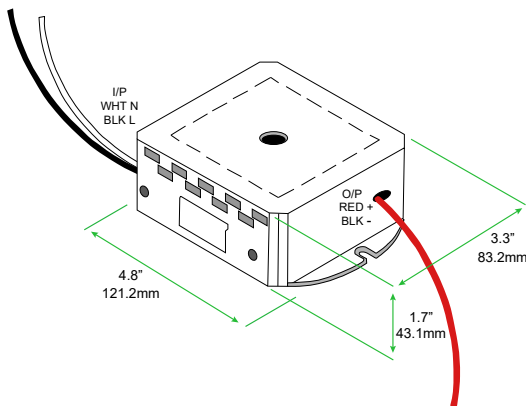
220-240V						
Model Number	Input Voltage	Input Current	Output Voltage	Weight	Load Type	Form Factor
TU200WA24	220-240V AC 50/60Hz	0.91A	24V AC	300g	Incandescent & Halogen Bulbs	E2
TU200WDS24		0.91A	24V DC	300g	Incandescent & Halogen Bulbs	E4
TU200WDS24LED		0.91A	24V DC	300g	LED Strips, LED Bulbs, Incandescent & Halogen Bulbs	E3

220-240V Remote						
Model Number	Input Voltage	Input Current	Output Voltage	Weight	Load Type	Form Factor
TU200WA24RE	220-240V AC 50/60Hz	0.91A	24V AC	773g	Incandescent & Halogen Bulbs	G2
TU200WA24REO		0.91A	24V AC	1097g	Incandescent & Halogen Bulbs	G3
TU200WDS24RE		0.91A	24V DC	773g	Incandescent & Halogen Bulbs	G2
TU200WDS24REO		0.91A	24V DC	1097g	Incandescent & Halogen Bulbs	G3
TU200WDS24LEDRE		0.91A	24V DC	773g	LED Strips, LED Bulbs, Incandescent & Halogen Bulbs	G2
TU200WDS24LEDREO		0.91A	24V DC	1097g	LED Strips, LED Bulbs, Incandescent & Halogen Bulbs	G3

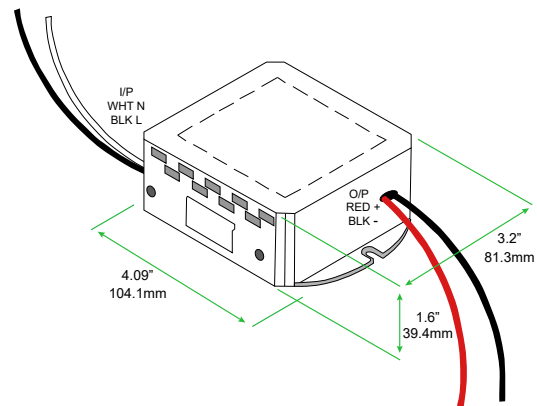
MECHANICAL SPECIFICATIONS

FORM FACTOR	DIMENSIONS
E2 (Standard AC)	4.8”(121.2mm) x 3.3”(83.2mm) x 1.7”(43.1mm)
E3 (DC)	4.1”(104.1mm) x 3.2”(81.3mm) x 1.6”(39.4mm)
E4 (Standard DC)	4.8”(121mm) x 3.3”(83mm) x 1.7”(43.1mm)

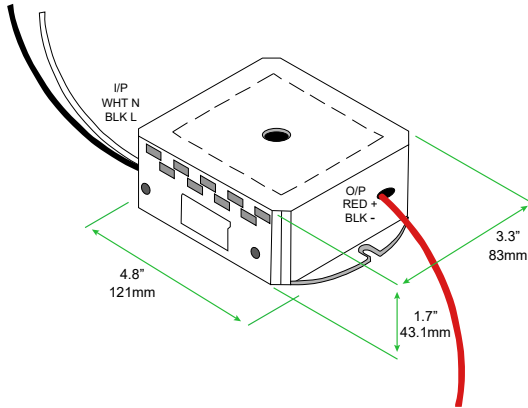
E2



E3

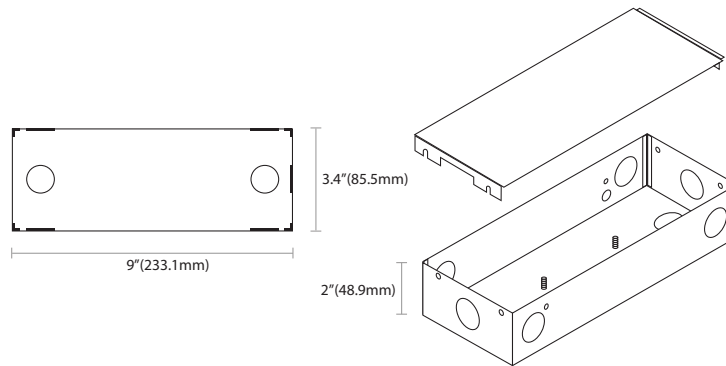


E4



REMOTE ENCLOSURES	
G2 (damp locations)	9"(233mm) x 3.4"(85.5mm) x 2"(49mm)
G3 (Wet locations)	11"(280mm) x 4.3"(103mm) x 2.2"(56mm)

G2



G3

