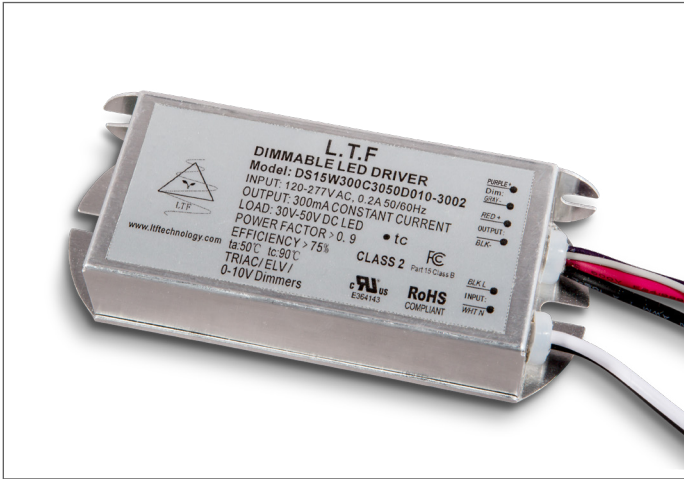


UNIDRIVER

20W DS20W 100-305V Series
Constant Current - Constant Voltage



Efficiency	>85%
Power Factor	>95%
Case TC	90°C Max.
Protection	Input / Output
Storage	-30°C / +90°C
Humidity	95% RH Max.
IP Rating	IP 67
Class	Class 2
Dimming	Triac / ELV / 0-10V
Output Voltage or Constant Current	100V - 305V or 350mA - 1400mA



- Universal Input 100 - 305V AC 50/60Hz
- True Tri Mode Dimming at all input voltages Triac, ELV & 0-10V
- Smooth, flicker free dimming 100%~0.1%
- Class 2 power supply
- Isolated output power per NEC and UL safety requirements

FEATURES

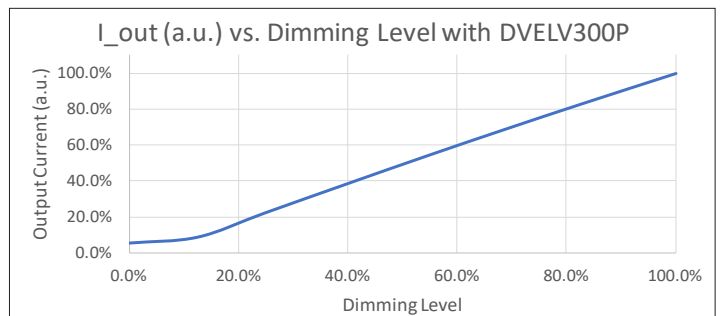
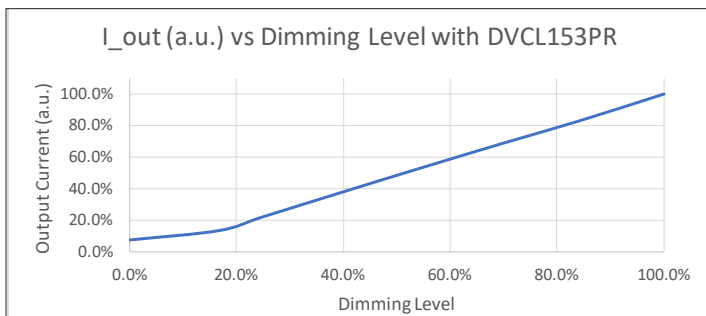
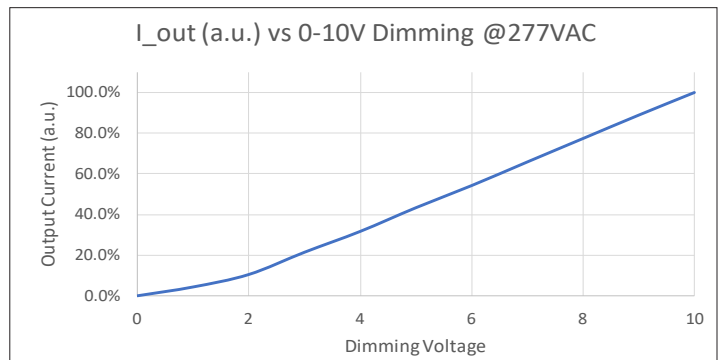
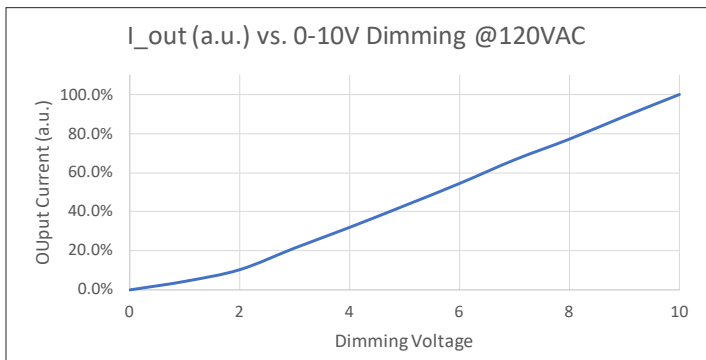
- UL & ETL recognized/listed, meets UL 8750, 1310 requirements
- Auto-reset; short circuit, overload and thermal protection
- Low profile, small form factor, junction box mountable
- Efficient, High power factor >0.90

ELECTRICAL SPECIFICATIONS

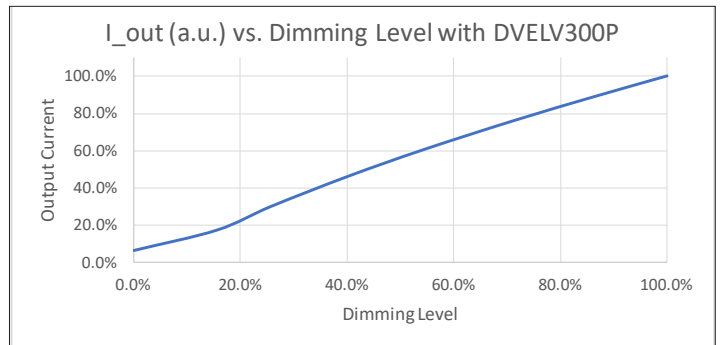
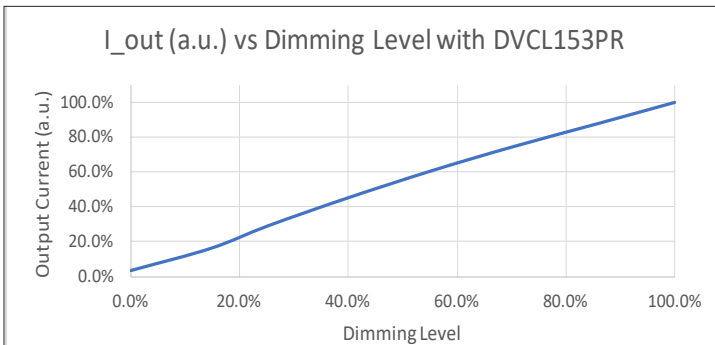
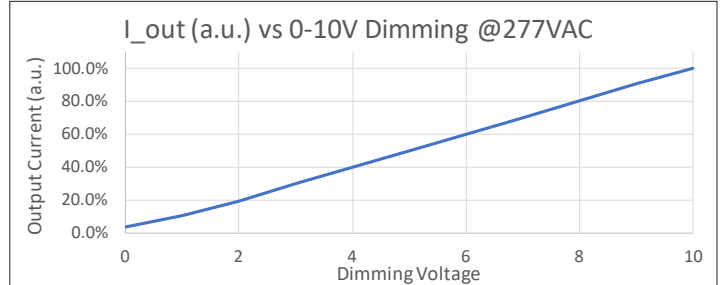
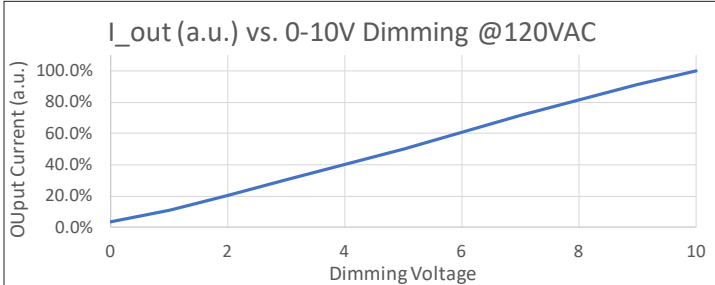
Constant Current				
Model Number	Input Voltage	Output Voltage	Output Current	Available Form Factor
DS20W350C3058UD	100 - 305V AC 50/60 Hz >0.90 PF < 20% THD	30V - 58VDC	350mA	BF1, LI1, F3, SM1, MB2
DS20W400C2542UD		25V - 42VDC	400mA	BF1, LI1, F3, SM1, MB2
DS20W440C2045UD		20V - 45VDC	440mA	BF1, LI1, F3, SM1, MB2
DS20W500C2040UD		20V - 40VDC	500mA	BF1, LI1, F3, SM1, MB2
DS20W600C2033UD		15V - 33VDC	600mA	BF1, LI1, F3, SM1, MB2
DS20W700C1528UD		15V - 28VDC	700mA	BF1, LI1, F3, SM1, MB2
DS20W750C1527UD		15V - 27VDC	750mA	BF1, LI1, F3, SM1, MB2
DS20W1000C1020UD		10V - 20VDC	1000mA	BF1, LI1, F3, SM1, MB2
DS20W1100C1018UD		10V - 18VDC	1100mA	BF1, LI1, F3, SM1, MB2
DS20W1400C1014UD		10V - 14VDC	1400mA	BF1, LI1, F3, SM1, MB2

Constant Voltage				
Model Number	Input Voltage	Output Voltage	Output Current	Available Form Factor
DS20W12VUD	100 - 305V AC 50/60 Hz > 0.90 PF < 20% THD	12VDC	1700mA	SM1, LS1, BF, BF1, F3, MB2
DS20W24VUD		24VDC	830mA	SM1, LS1, BF, BF1, F3, MB2

DIMMING CURVE CHARTS (constant current)



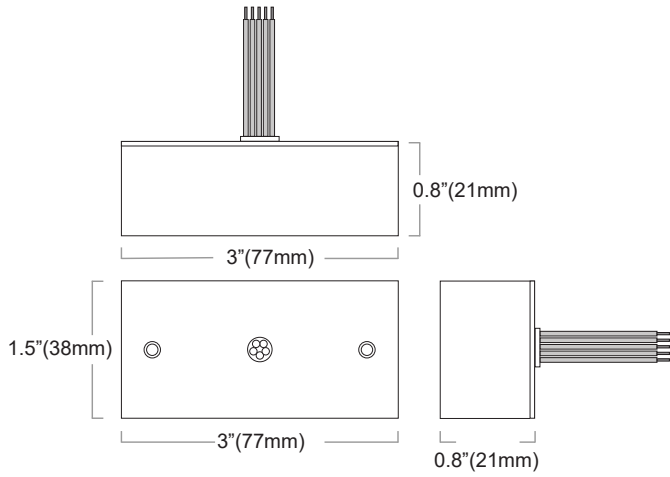
DIMMING CURVE CHARTS (constant voltage)



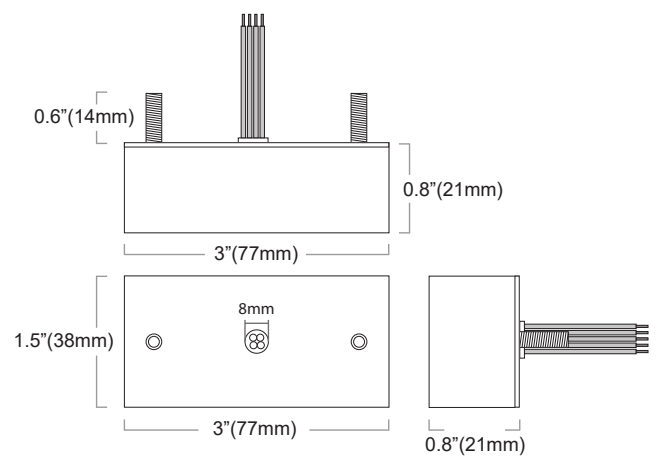
MECHANICAL SPECIFICATIONS

FORM FACTOR	DIMENSIONS
BF (with studs)	3"(77mm) x 1.5"(38mm) x .8"(21mm), 0.6"(14mm studs)
BF1 (without studs)	3"(77mm) x 1.5"(38mm) x .8"(21mm)
LI1	4.9"(124mm) x 1.6"(40mm) x 0.9"(22mm)
LS1	7.6"(193mm) x 1.2"(30mm) x 0.8"(20mm)
F3	3.5"(89.6mm) x 2.5"(62.6mm) x 1.2"(30mm)
SM1	4.3"(110mm) x 1.8"(45mm) x 0.9"(24mm)
MB2	3.1"(78mm) x 1.57"(40mm) x 0.87"(22.1mm)

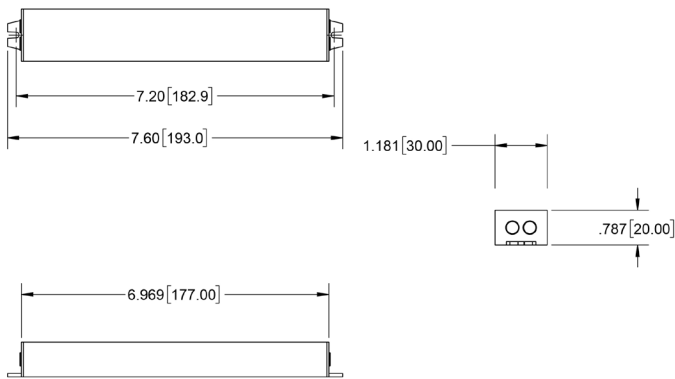
BF1



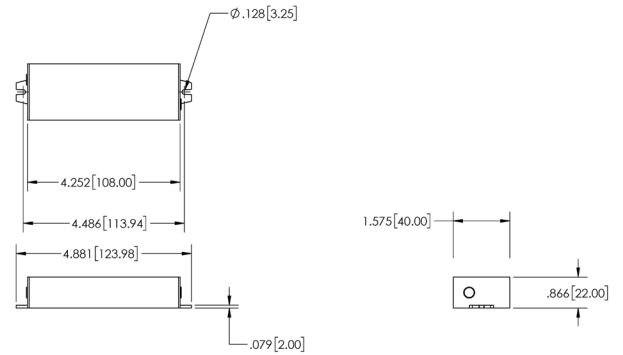
BF



LS1

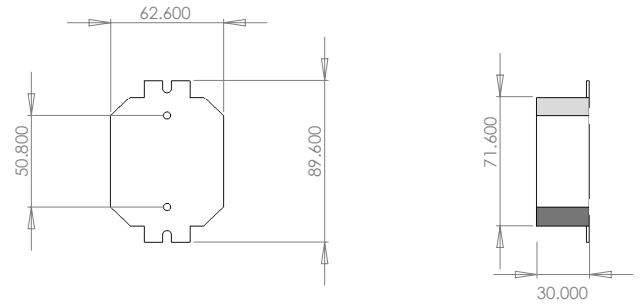
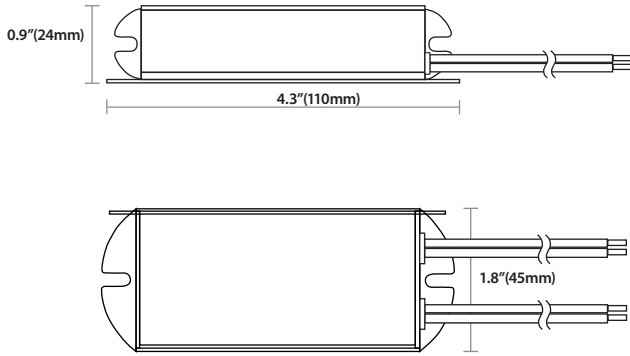


LI1

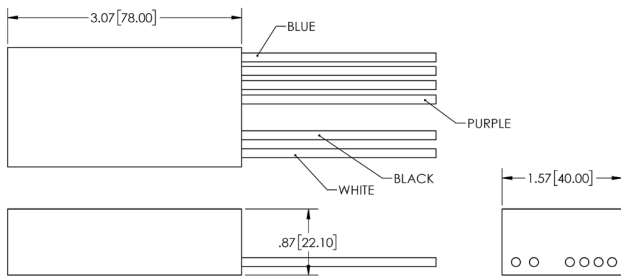


SM1

F3

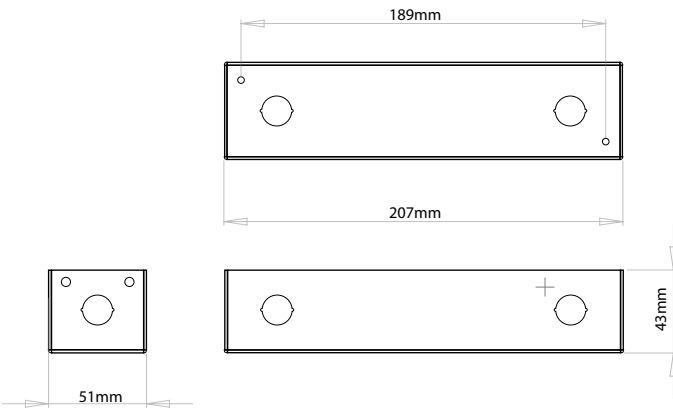


MB2



REMOTE ENCLOSURE OPTIONS		
MODEL NUMBER	REMOTE ENCLOSURE	DIMENSIONS
LDS20WXXXXRE	G1	207 x 50.8 x 43mm
LDS20WXXXXREO	G4	238 x 66 x 48mm

G1



G4

