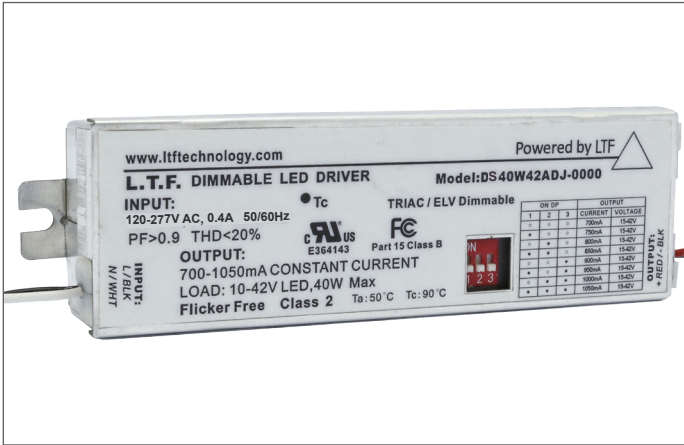


DS40W42ADJ-0000 120-277V SERIES

Adjustable Constant Current



Efficiency	> 80%
Power Factor	> 0.90
Case TC	90°C Max
Protection	Input / Output
Storage	-30°C / +90°C
Humidity	95% RH Max.
IP Rating	IP44
Class	Class 2 Power Supply
Dimming	ELV, Triac
Output Voltage	700mA - 1050mA



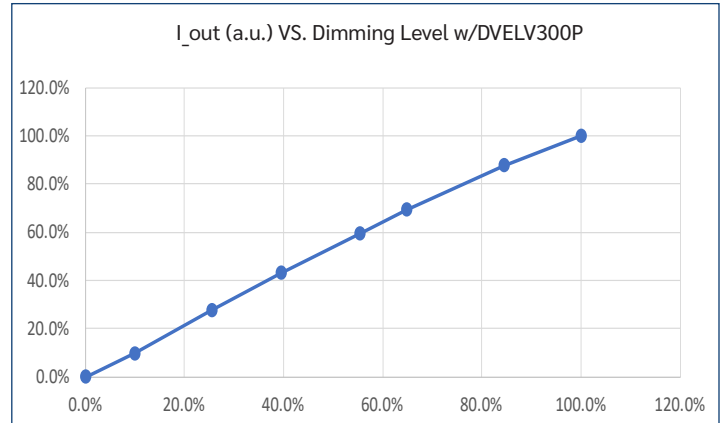
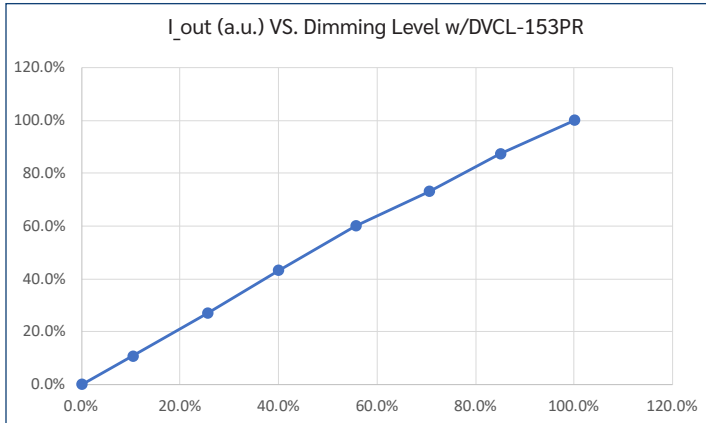
- DIP Switch Adjustable Constant Current Output 700mA - 1050mA
- Fully dimmable with ELV & Triac dimmers 0-100%
- Flicker free dimming
- Title 24 Compliant, AAA rating
- Aluminum casing for optimal heat dissipation
- Isolated output power per NEC and UL safety requirements
- UL & ETL recognized/ listed, meets UL 8750, 1310 requirements
- Auto-reset; short circuit, overload and thermal protection
- Low profile, small form factor
- Class 2 power supply
- Efficient, High power factor > 0.90

FEATURES

ELECTRICAL SPECIFICATIONS

Constant Current					
Model Number	Input Voltage	Wattage	Output Current	Load	Form Factor
DS40W42ADJ-0000	120-277V AC 50/60Hz	40W	700 mA	15V - 42V DC LED	J2, G2, G3
			750 mA		
			800 mA		
			850 mA		
			900 mA		
			950 mA		
			1000 mA		
			1050 mA		

DIMMING CHARACTERISTICS



DIP SWITCH SETTINGS

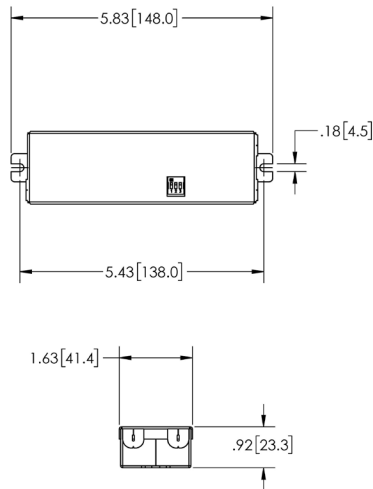
● On
○ Off

1	2	3	Constant Current Output	Load
○	○	○	700 mA	15V - 42V DC LED
●	○	○	750 mA	
○	●	○	800 mA	
●	●	○	850mA	
○	○	●	900mA	
●	○	●	950mA	
○	●	●	1000mA	
●	●	●	1050mA	

MECHANICAL SPECS

Form Factors	Dimensions
"J2"	148x42x24mm

J2



Remote Enclosure Option	
Form Factor	Dimensions
"G2"	233x85.5x49mm
"G3"	280x103x56mm

G2

G3

