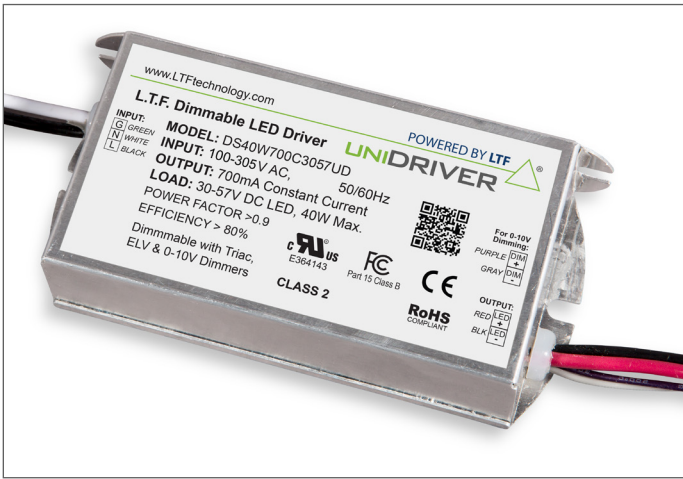


DS40W 100-305V Series

Constant current-Constant voltage

UNIDRIVER[®]



Efficiency	>85%
Power Factor	>95%
Case TC	90°C Max.
Protection	Input / Output
Storage	-30°C / +90°C
Humidity	95% RH Max.
IP Rating	IP67
Class	Class 2 Power Supply
Dimming	Triac / ELV / 0-10V
Constant Voltage or Constant Current	12V - 57V or 700 - 2100 mA



- All-In-One dimming; Triac, ELV, and 0-10V dimming
- Universal input voltage; 100-305V AC
- Isolated output power per NEC and UL safety requirements
- UL recognized/Listed, UL8750, UL1310
- Auto-reset; Short circuit, overload and thermal protection
- Superior thermal performance
- Aluminum case with high W/m.K encapsulating material

FEATURES

- Low profile, small form factor, junction box mountable
- <30% flicker with excellent dimming range
- Class 2 power supply and other than Class 2 options
- Efficient, high power factor, low THD, FCC Class B

ELECTRICAL SPECIFICATIONS

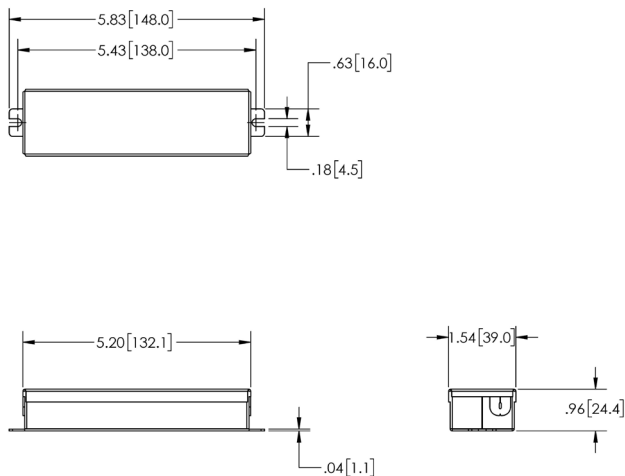
Constant Current				
Model Number	Input Voltage	Output Voltage	Output Current	Available Form Factor
DS40W700C3057UD	100-305V AC 50/60 Hz >0.90 PF <20% THD	30V - 57VDC	700 mA	BF2, SM2, LI2, F2, F3, BF21
DS40W750C3054UD		30V - 54VDC	750 mA	BF2, SM2, LI2, F2, F3, BF21
DS40W900C2545UD		25V - 45VDC	900 mA	BF2, SM2, LI2, F2, F3, BF21
DS40W1000C2540UD		25V - 40VDC	1000 mA	BF2, SM2, LI2, F2, F3, BF21
DS40W1050C2538UD		25V - 38VDC	1050mA	BF2, SM2, LI2, F2, F3, BF21
DS40W1100C2536UD		25V - 36VDC	1100 mA	BF2, SM2, LI2, F2, F3, BF21
DS40W1200C1534UD		15V - 34VDC	1200 mA	BF2, SM2, LI2, F2, F3, BF21
DS40W1400C2028UD		20V - 28VDC	1400 mA	BF2, SM2, LI2, F2, F3, BF21
DS40W2100C1219UD		12V - 19VDC	2100 mA	BF2, SM2, LI2, F2, F3, BF21

Constant Voltage				
Model Number	Input Voltage	Output Voltage	Output Current	Available Form Factor
DS40W12VUD	100 - 305V AC 50/60 Hz > 0.90 PF < 20% THD	12VDC	3330mA	BF2, LS3, SM2, F2, F3, BF21, LI2
DS40W24VUD		24VDC	1660mA	BF2, LS3, SM2, F2, F3, BF21, LI2
DS40W48VUD		48VDC	833mA	BF2, LS3, SM2, F2, F3, BF21, LI2

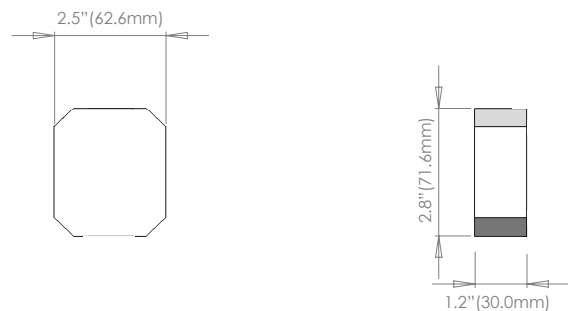
MECHANICAL SPECIFICATIONS

FORM FACTORS	DIMENSIONS
F2	5.8"(148mm) x 1.5"(39mm) x 1"(24.4mm)
F3	2.5"(72mm) x 2.8"(63mm) x 1.2"(30mm)
SM2	4.3"(110mm) x 2.2"(55mm) x 0.9"(24mm)
LI2	5.8"(148mm) x 1.6"(40mm) x 0.9"(22mm)
BF2	3.7"(92mm) x 1.8"(55mm) x 1"(25mm)
BF21	3.7"(95mm) x 1.8"(45mm) x 1"(25mm)
LS3	11.7"(298mm) x 1.2"(30mm) x 0.8"(20mm)

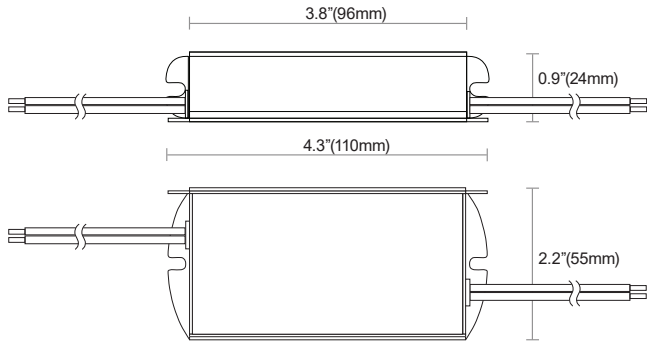
F2



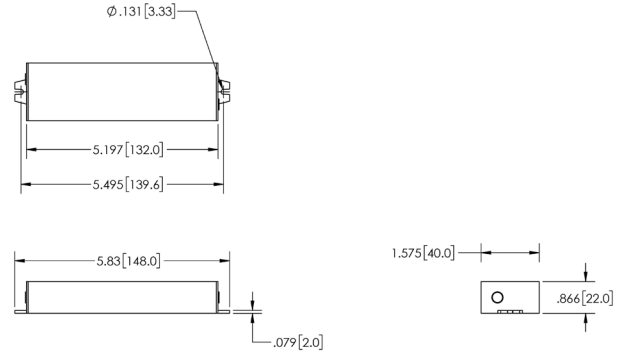
F3



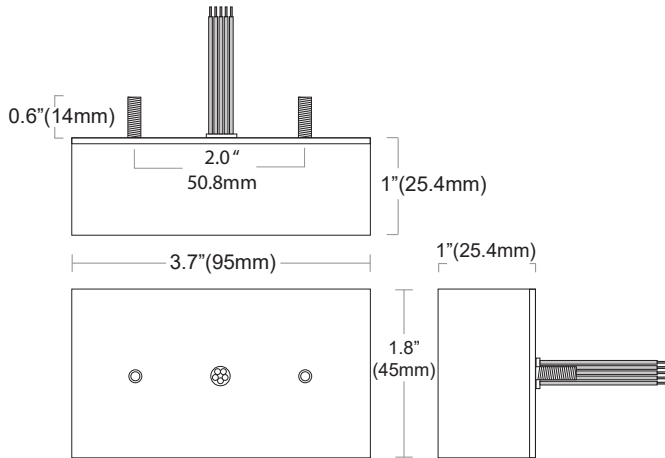
SM2



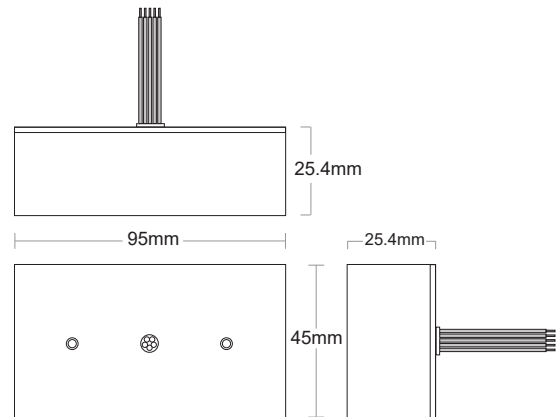
LI2



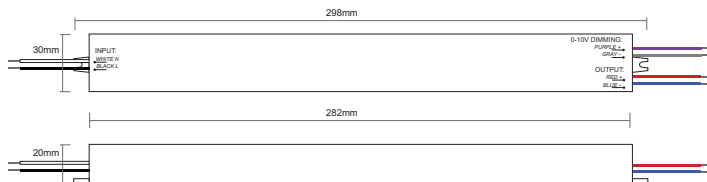
BF2



BF21

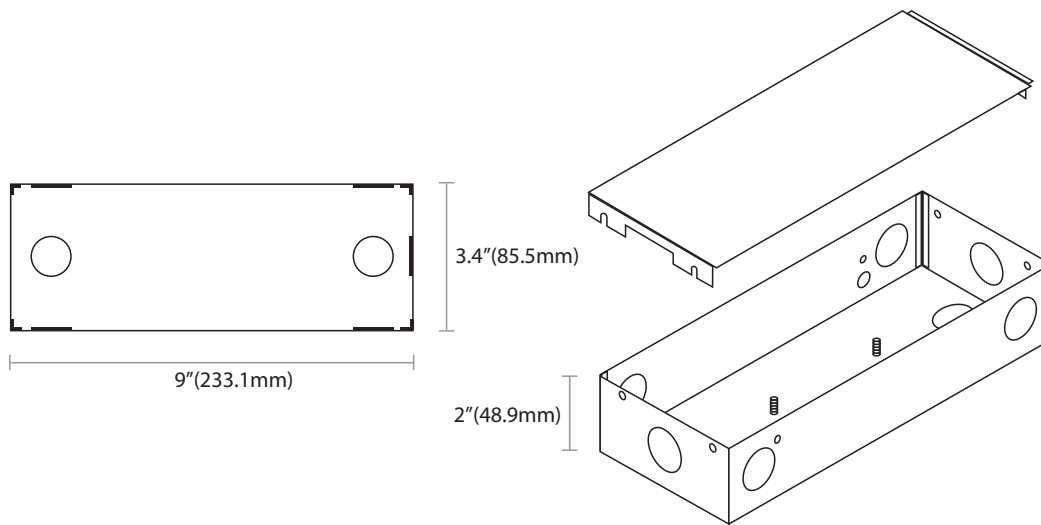


LS3



REMOTE ENCLOSURE OPTIONS		
Model Number	Remote Enclosure	DIMENSIONS
LDS40WXXXXRE	G2	233.1 x 85.5 x 48.9mm
LDS40WXXXXREO	G3	242 x 103 x 56mm

G2



G3

