

DS30WPT2-3002 UNIDRIVER SERIES

Constant Current & Constant Voltage

UNIDRIVER[®]



Efficiency	78%
Power Factor	>0.90
Case TC	80°C Max.
Protection	Input / Output
Storage	-30°C / +80°C
Humidity	95% RH Max.
IP Rating	IP44
Class	Class 2 Power Supply
Dimming	ELV, TRIAC, 0-10V
Output Voltage or Constant Current	350mA - 2500mA, 12V - 48V



- Universal Input 120V - 277V AC, 0.3A 50/60Hz
- True Tri Mode dimming at all input voltages ELV, TRIAC, 0-10V
- Smooth, flicker free deep dimming 100% - 0.1%
- Exceeds title 24 compliant, AAA rating
- Class 2 power supply
- Isolated output power per NEC and UL safety requirements

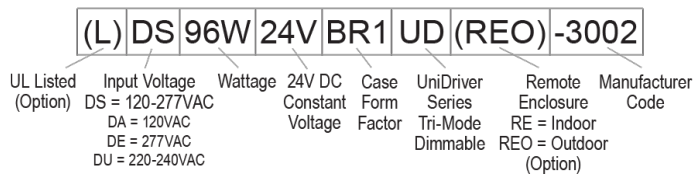
FEATURES

- UL recognized/listed, meets UL 8750, 1310 requirements
- Auto-reset; short circuit, overload and thermal protection
- Low profile, small form factor, junction box mountable
- Efficient, high power factor >0.90

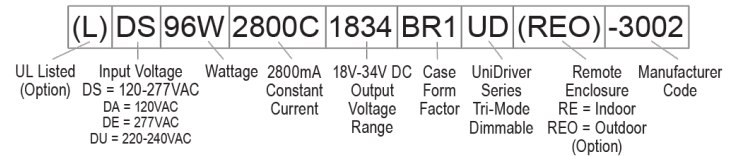


MODEL KEY

Model Number Key - Constant Voltage



Model Number Key - Constant Current



MODEL SPECIFICATIONS

CONSTANT CURRENT					
Model Number	Input Voltage	Wattage	Output Voltage	Output Current	Available Form Factor
DS30W350C2885UDPT2-3002	120-277V AC 0.3A 50/60Hz	30W	28-85V DC	350mA	PT2

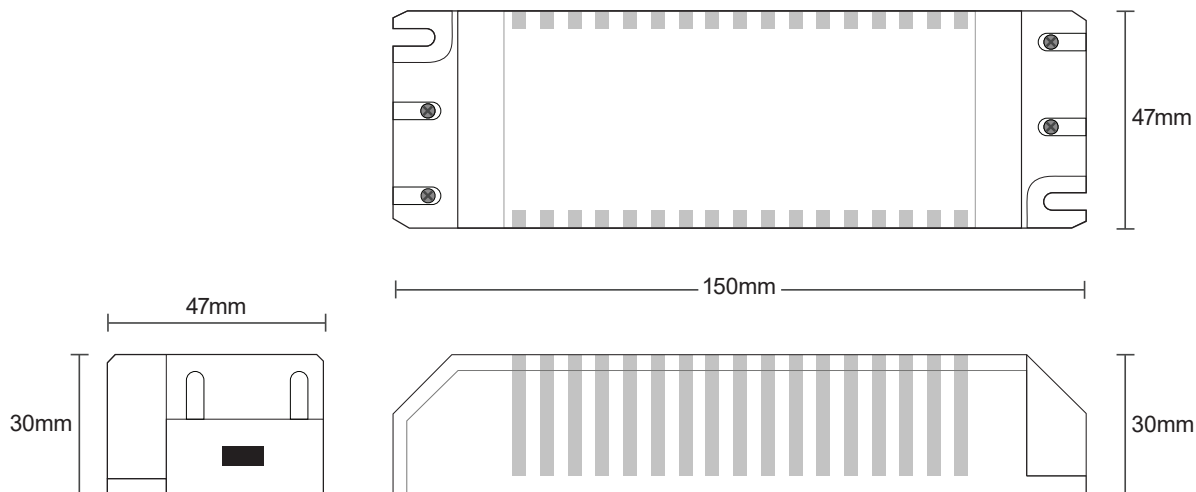
CONSTANT CURRENT					
Model Number	Input Voltage	Wattage	Output Voltage	Output Current	Available Form Factor
DS30W350C2885UDPT2-3002	120-277V AC 0.3A 50/60Hz	30W	28-85V DC	350mA	PT2
DS30W400C2575UDPT2-3002		30W	25-75V DC	400mA	PT2
DS30W450C2266UDPT2-3002		30W	22-66V DC	450mA	PT2
DS30W700C1442UDPT2-3002		30W	14-42V DC	700mA	PT2
DS30W830C1236UDPT2-3002		30W	12-36V DC	830mA	PT2
DS30W1250C0824UDPT2-3002		30W	08-24V DC	1250mA	PT2
DS30W1660C0618UDPT2-3002		30W	06-18V DC	1660mA	PT2
DS30W2500C0412UDPT2-3002		30W	04-12V DC	2500mA	PT2

CONSTANT VOLTAGE					
Model Number	Input Voltage	Wattage	Output Voltage	Output Current	Available Form Factor
DS30W12VUDPT2-3002	120-277V AC 0.3A 50/60Hz	30W	12V DC	12V DC LED, 2.5A Max.	PT2
DS30W24VUDPT2-3002		30W	24V DC	24V DC LED, 1.25A Max.	PT2
DS30W48VUDPT2-3002		30W	48V DC	48V DC LED, 0.63A Max.	PT2

MECHANICAL SPECS

FORM FACTOR	DIMENSIONS
PT2	5.9”(150mm) x 1.9”(47mm) x 1.2”(30mm)

PT2

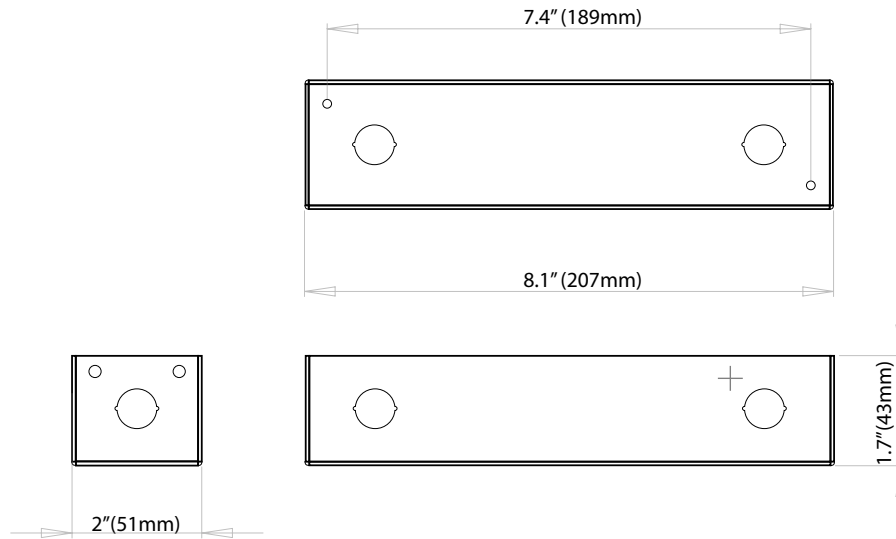


MECHANICAL SPECS

FORM FACTOR	DIMENSIONS
G1 (Damp Rated)	8.2”(207mm) x 2”(51mm) x 1.3”(33mm)
G4 (Wet Rated)	9.4”(238mm) x 2.6”(66mm) x 1.9”(48mm)



G1



G4

