

# DS60W-3002 120V-277V SERIES

Constant Current or Constant Voltage

## UNIDRIVER<sup>®</sup>



Efficiency	>84%
Power Factor	>0.90
Case TC	90°C Max.
Protection	Input / Output
Storage	-30°C / +90°C
Humidity	95% RH Max.
IP Rating	IP67
Class	Class 2 Power Supply
Dimming	ELV, TRIAC, 0-10V
Output Voltage or Constant Current	900mA - 3000mA or 12V - 48V



- Universal Input 120 - 277V AC 50/60Hz
- True Tri Mode Dimming at all input voltages Triac, ELV & 0-10V
- Smooth, flicker free dimming 100%~0.1%
- Class 2 power supply
- Isolated output power per NEC and UL safety requirements

### FEATURES

- UL & ETL recognized/listed, meets UL 8750, 1310 requirements
- Auto-reset; short circuit, overload and thermal protection
- Low profile, small form factor, junction box mountable
- Efficient, High power factor >0.90

### MODEL KEY

Model Number Key - Constant Current

(L)	DS	96W	2800C	1834	BR1	UD	(REO)	-3002
UL Listed (Option)	Input Voltage DS = 120-277VAC DA = 120VAC DE = 277VAC DU = 220-240VAC	Wattage	2800mA Constant Current	18V-34V DC Output Voltage Range	Case Form Factor	UniDriver Series Tri-Mode Dimmable	Remote Enclosure RE = Indoor REO = Outdoor (Option)	Manufacturer Code

Model Number Key - Constant Voltage

(L)	DS	96W	24V	BR1	UD	(REO)	-3002
UL Listed (Option)	Input Voltage DS = 120-277VAC DA = 120VAC DE = 277VAC DU = 220-240VAC	Wattage	24V DC Constant Voltage	Case Form Factor	UniDriver Series Tri-Mode Dimmable	Remote Enclosure RE = Indoor REO = Outdoor (Option)	Manufacturer Code

### MODEL SPECIFICATIONS

CONSTANT CURRENT					
Model Number	Input Voltage	Wattage	Output Voltage	Output Current	Available Form Factor
DS60W900C5263*UD-3002	120V - 277V AC, 0.7A, 50/60Hz	60W	52V - 63V DC	900mA	*BR2, R, F5
DS60W1000C4960*UD-3002			49V - 60V DC	1000mA	

\* Enter Form Factor here

CONSTANT CURRENT					
Model Number	Input Voltage	Wattage	Output Voltage	Output Current	Available Form Factor
DS60W1100C4055*UD-3002	120V - 277V AC, 0.7A, 50/60Hz	60W	40V - 55V DC	1100mA	*BR2, R, F5
DS60W1200C3950*UD-3002		60W	39V - 50V DC	1200mA	
DS60W1400C3142*UD-3002		60W	31V - 42V DC	1400mA	
DS60W1600C2637*UD-3002		60W	26V - 37V DC	1600mA	
DS60W1800C2233*UD-3002		60W	22V - 33V DC	1800mA	
DS60W2100C1728*UD-3002		60W	17V - 28V DC	2100mA	
DS60W2600C1223*UD-3002		60W	12V - 23V DC	2600mA	
DS60W3000C0920*UD-3002		60W	09V - 20V DC	3000mA	

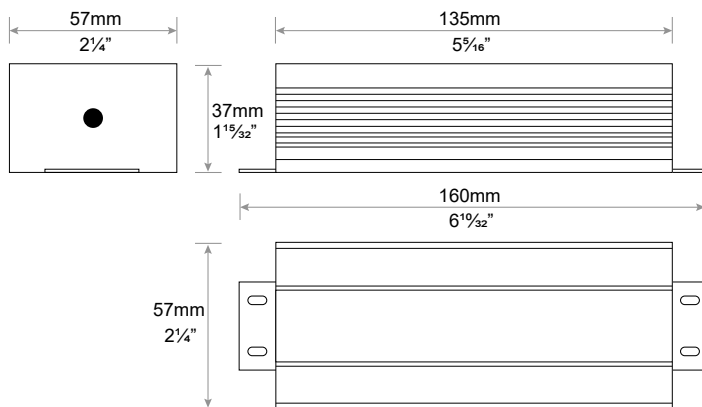
CONSTANT VOLTAGE					
Model Number	Input Voltage	Wattage	Output Voltage	Output Current	Available Form Factor
DS60W12V*UD-3002	120V - 277V AC, 0.7A, 50/60Hz	60W	12V DC	5000mA	*BR2, R, F5
DS60W24V*UD-3002		60W	24V DC	2500mA	
DS60W36V*UD-3002		60W	36V DC	1700mA	
DS60W48V*UD-3002		60W	48V DC	1250mA	

\* Enter Form Factor here

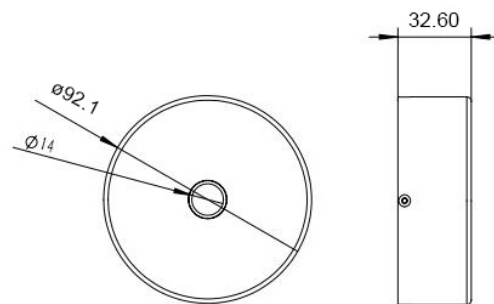
### MECHANICAL SPECS

FORM FACTOR	DIMENSIONS
BR2	160 (135) x 57 x 37mm
R	∅92.1 x 32.60mm
F5	169 (143.5) x 52.7 x 29.9mm

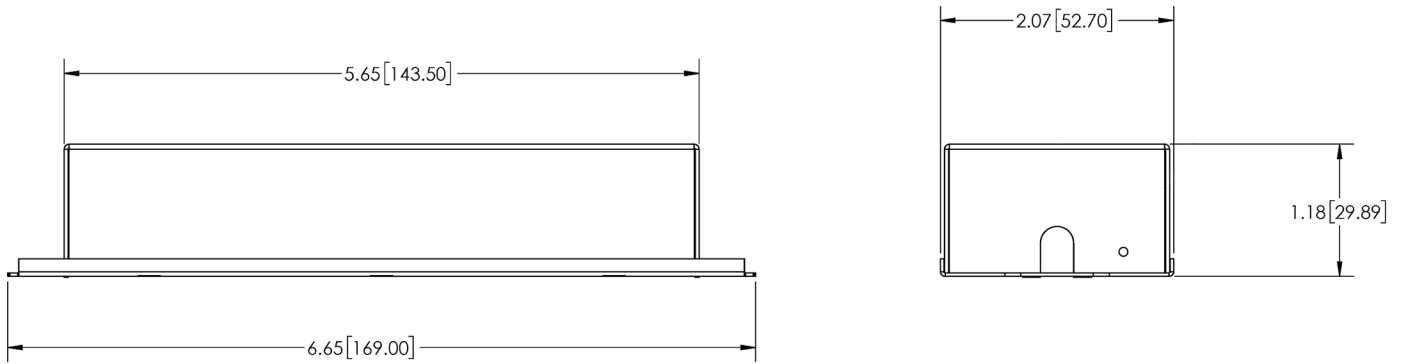
#### BR2



#### R



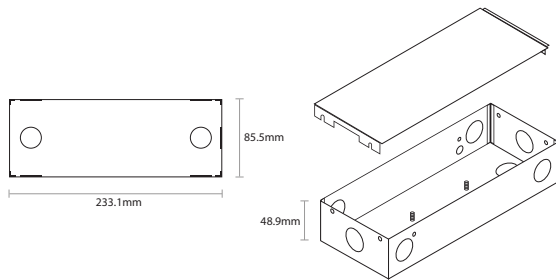
**F5**



**REMOTE ENCLOSURES**

MODEL	ENCLOSURE TYPE	DIMENSIONS
LDS60W-XXXX-BR2UDRE-3002	G2 (Indoor, Damp Rated)	233.1 x 85.5 x 48.9mm
LDS60W-XXXX-BR2UDREO-3002	G3 (Outdoor, Wet Rated)	280 (242) x 103 x 56mm

**G2**



**G3**

