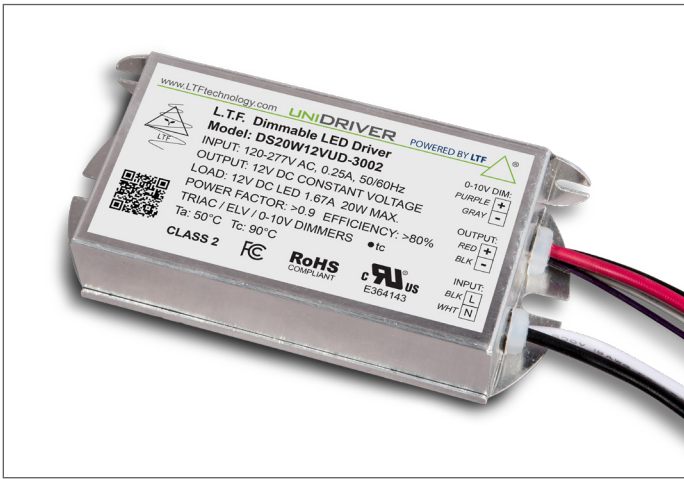


UNIDRIVER[®]

DS20W-3002 Series
20W 100-305V Constant current-Constant voltage



Efficiency	>85%
Power Factor	>95%
Case TC	90°C Max.
Protection	Input / Output
Storage	-30°C / +90°C
Humidity	95% RH Max.
IP Rating	IP67
Class	Class 2 Power Supply
Dimming	Triac / ELV / 0-10V
Constant Voltage or Constant Current	12V - 48V or 700 - 2100 mA



- All-In-One dimming; Triac, ELV, and 0-10V dimming
- Universal input voltage; 100-305V AC
- Isolated output power per NEC and UL safety requirements
- UL recognized/Listed, UL8750, UL1310
- Auto-reset; Short circuit, overload and thermal protection
- Superior thermal performance
- Aluminum case with high W/m.K encapsulating material

FEATURES

- Low profile, small form factor, junction box mountable
- <30% flicker with excellent dimming range
- Class 2 power supply and other than Class 2 options
- Efficient, high power factor, low THD, FCC Class B

ELECTRICAL SPECIFICATIONS

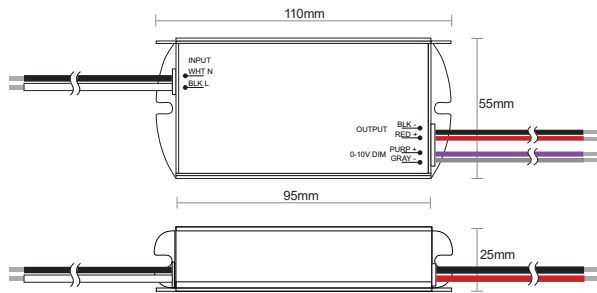
Constant Current				
Model Number	Input Voltage	Output Voltage	Output Current	Available Form Factor
DS20W300C3058UD-3002	100-305V AC 50/60 Hz >0.90 PF <20% THD	30V - 58VDC	300 mA	SM2, LI2, G5, G3
DS20W400C2542UD-3002		25V - 42VDC	400 mA	SM2, LI2, G5, G3
DS20W500C2040UD-3002		20V - 40VDC	500 mA	SM2, LI2, G5, G3
DS20W600C1533UD-3002		15V - 33VDC	600 mA	SM2, LI2, G5, G3
DS20W700C1528UD-3002		15V - 28VDC	700 mA	SM2, LI2, G5, G3
DS20W1000C1020UD-3002		10V - 20VDC	1000 mA	SM2, LI2, G5, G3
DS20W1100C1018UD-3002		10V - 18VDC	1100 mA	SM2, LI2, G5, G3
DS20W1400C1014UD-3002		10V - 14VDC	1400 mA	SM2, LI2, G5, G3

Constant Voltage				
Model Number	Input Voltage	Output Voltage	Output Current	Available Form Factor
DS20W12VUD-3002	100 - 305V AC 50/60 Hz > 0.90 PF < 20% THD	12VDC	1700mA	SM2, LI2 G5, G3
DS20W24VUD-3002		24VDC	830mA	SM2, LI2, G5, G3

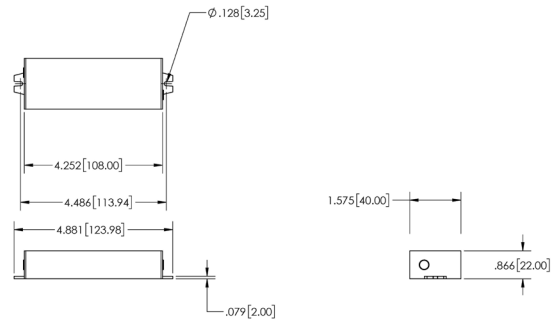
MECHANICAL SPECIFICATIONS

FORM FACTORS	DIMENSIONS
SM2	110 x 55 x 24mm
LI2	148 x 40 x 22mm

SM2

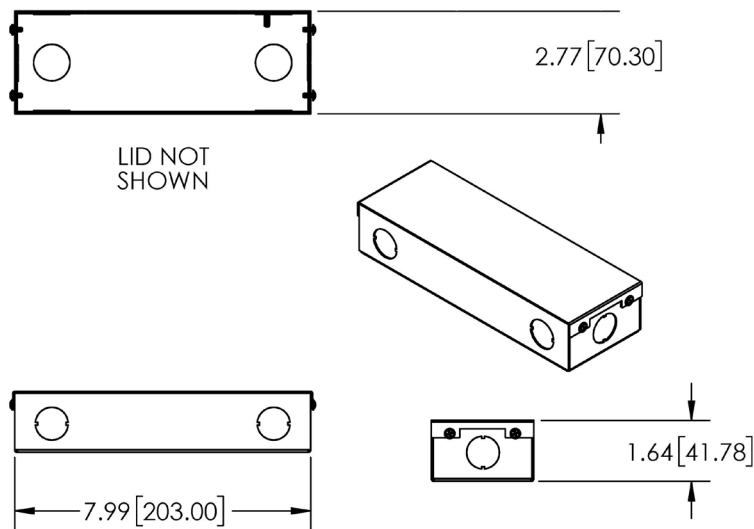


LI2



REMOTE ENCLOSURE OPTIONS	
Model Number	Remote Enclosure
LDS40WXXXXRE	G5
LDS40WXXXXREO	G3

G5



G3

