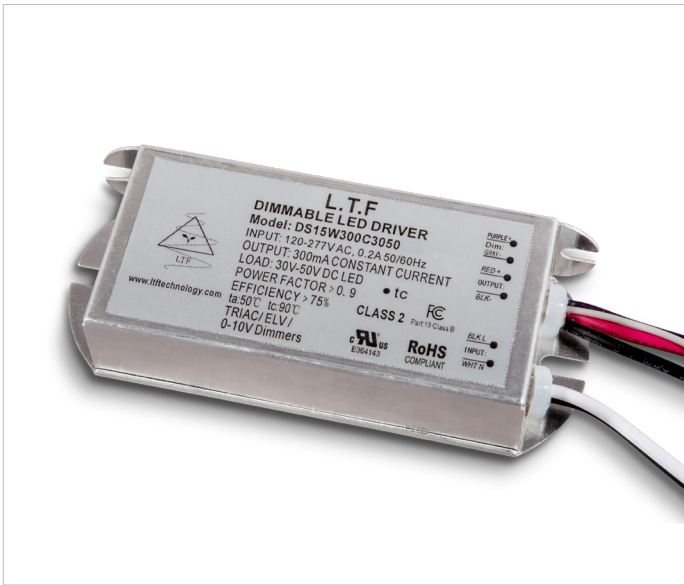


15W DS15W 100-305V Series

Constant Current / Constant Voltage

UNIDRIVER®



Efficiency	>85%
Power Factor	>95%
Case TC	90°C Max.
Protection	Input / Output
Storage	-30°C / +90°C
Humidity	95% RH Max.
IP Rating	IP67
Class	Class 2 Power Supply
Dimming	ELV, TRIAC, 0-10V
Output Voltage or Constant Current	12V - 24V or 300mA - 1660mA



- All in one dimming capabilities; ELV, TRIAC, and 0-10V dimming
- Universal input voltage; 120V - 270V AC
- Isolated output power per NEC and UL safety requirements
- UL and ETL recognized/Listed, UL8750, UL1310
- Auto-reset; Short circuit, Overload and thermal protection

FEATURES

- Superior thermal performance
- Aluminum case with high W/m.K encapsulating material
- Low profile, small form factor, junction box mountable
- <30% flicker with excellent dimming range
- Class 2 power supply and other than Class 2 options
- Efficient, high power factor, low THD, FCC Class B

MODEL KEY

Model Number Key - Constant Current

(L)	DS	96W	2800C	1834	BR1	UD	(REO)	-3002
UL Listed (Option)	Input Voltage DS = 120-277VAC DA = 120VAC DE = 277VAC DU = 220-240VAC	Wattage	2800mA Constant Current	18V-34V DC Output Voltage Range	Case Form Factor	UniDriver Series Tri-Mode Dimmable	Remote Enclosure RE = Indoor REO = Outdoor (Option)	Manufacturer Code

Model Number Key - Constant Voltage

(L)	DS	96W	24V	BR1	UD	(REO)	-3002
UL Listed (Option)	Input Voltage DS = 120-277VAC DA = 120VAC DE = 277VAC DU = 220-240VAC	Wattage	24V DC Constant Voltage	Case Form Factor	UniDriver Series Tri-Mode Dimmable	Remote Enclosure RE = Indoor REO = Outdoor (Option)	Manufacturer Code

MODEL SPECIFICATIONS

CONSTANT CURRENT						
Model Number	Input Voltage	Wattage	Output Voltage	Output Current	Available Form Factor	
DS15W300C3050UD	100V - 305V AC 0.09A	15W	30V - 50V DC	300mA	SM1, MB1	

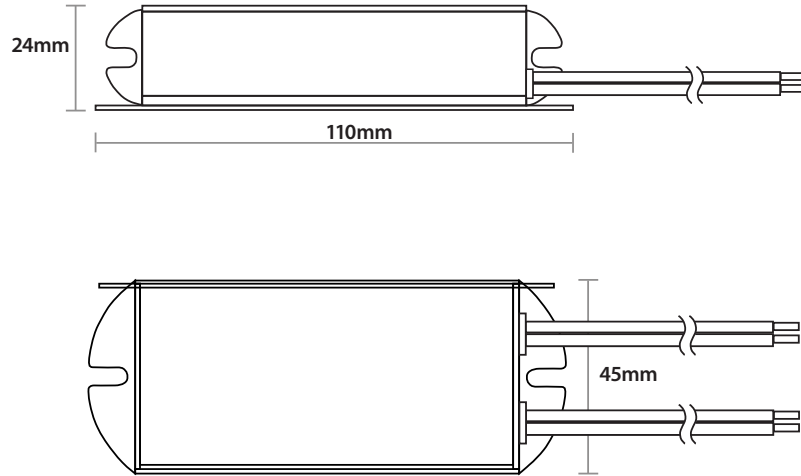
CONSTANT CURRENT					
Model Number	Input Voltage	Wattage	Output Voltage	Output Current	Available Form Factor
DS15W350C1542UD	100V - 305V AC 0.09A	15W	15V - 42V DC	350 mA	SM1, MB1
DS15W460C1532UD		15W	15V - 32V DC	460 mA	SM1, MB1
DS15W500C1430UD		15W	14V - 30V DC	500 mA	SM1, MB1
DS15W550C1227UD		15W	12V - 27V DC	550 mA	SM1, MB1
DS15W700C1021UD		15W	10V - 21V DC	700 mA	SM1, MB1
DS15W830C0818UD		15W	08V - 18V DC	830 mA	SM1, MB1
DS15W910C0716UD		15W	07V - 16V DC	910 mA	SM1, MB1
DS15W1100C0613UD		15W	06V - 13V DC	1100 mA	SM1, MB1
DS15W1330C0511UD		15W	05V - 11V DC	1330 mA	SM1, MB1
DS15W1540C0410UD		15W	04V - 10V DC	1540 mA	SM1, MB1
DS15W1660C0409UD		15W	04V - 09V DC	1660 mA	SM1, MB1

CONSTANT VOLTAGE					
Model Number	Input Voltage	Wattage	Output Voltage	Output Current	Available Form Factor
DS15W12VUD	100V - 300V AC 50/60Hz	15W	12V DC	1250mA	MB1, SM1
DS15W24VUD		15W	24V DC	625mA	MB1, SM1

MECHANICAL SPECS

FORM FACTOR	DIMENSIONS
MB1	68 x 40 x 22mm
SM1	110 x 45 x 24mm

SM1



MB1

