

## 35W DA35W 120V Series

Constant Current / Constant Voltage



Efficiency	>85%
Power Factor	>95%
Case TC	90°C Max.
Protection	Input / Output
Storage	-30°C / +90°C
Humidity	95% RH Max.
IP Rating	IP 60, 65, 67
Class	Class 2 Power Supply
Dimming	ELV, TRIAC
Optional Dimming	0-10V, DALI



- Exceeds California Title 24 Requirements (Form Factors BF2, BF21, T31, T41)
- Isolated output power per NEC and UL safety requirements
- UL and ETL recognized/ Listed, UL 8750, 1310
- Auto-reset ; Short circuit, Overload and Thermal protection
- Non-Dimmable
- Aluminum casing for optimal heat dissipation

### FEATURES

- Low profile, small form factor, junction box mountable
- Flicker free dimming and excellent dimming range
- Class 2 power supply and other than Class 2 options
- Efficient, high power factor, low THD, FCC compliant



### ELECTRICAL SPECIFICATIONS

Constant Current				
Model Number	Input Voltage	Output Voltage	Output Current	Available Form Factor
DA35W600C	120V AC 50/60 Hz	58.4V DC	600mA	BF2, BF21, F2, F3
DA35W620C		56.5V DC	620 mA	BF2, BF21, F2, F3
DA35W700C		50.0V DC	700 mA	BF2, BF21, F2, F3
DA35W750C		46.7V DC	750 mA	BF2, BF21, F2, F3
DA35W780C		44.9V DC	780 mA	BF2, BF21, F2, F3
DA35W800C		43.0V DC	800mA	BF2, BF21, F2, F3
DA35W900C		38.9V DC	900 mA	BF2, BF21, F2, F3
DA35W950C		36.9V DC	950 mA	BF2, BF21, F2, F3
DA35W980C		35.8V DC	980 mA	BF2, BF21, F2, F3
DA35W1000C		35.0V DC	1000 mA	BF2, BF21, F2, F3

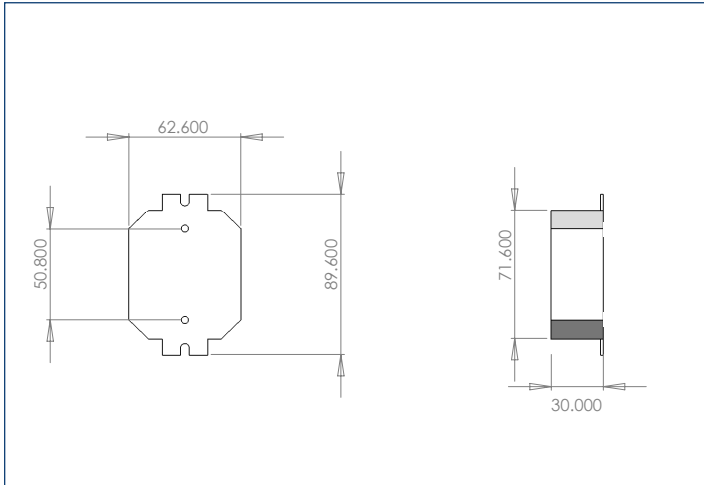
Constant Current				
Model Number	Input Voltage	Output Voltage	Output Current	Available Form Factor
DA35W1050C	120V AC 50/60 Hz	33.4V DC	1050 mA	BF2, BF21, F2, F3
DA35W1100C		31.9V DC	1100 mA	BF2, BF21, F2, F3
DA35W1130C		30.9V DC	1130 mA	BF2, BF21, F2, F3
DA35W1200C		29.2V DC	1200 mA	BF2, BF21, F2, F3
DA35W1250C		28.0V DC	1250 mA	BF2, BF21, F2, F3
DA35W1280C		27.4V DC	1280 mA	BF2, BF21, F2, F3
DA35W1300C		26.9V DC	1300 mA	BF2, BF21, F2, F3
DA35W1350C		25.9V DC	1350 mA	BF2, BF21, F2, F3
DA35W1400C		25.0V DC	1400 mA	BF2, BF21, F2, F3
DA35W1420C		24.7V DC	1420 mA	BF2, BF21, F2, F3
DA35W1480C		23.7V DC	1480 mA	BF2, BF21, F2, F3
DA35W1500C		23.4V DC	1500 mA	BF2, BF21, F2, F3
DA35W1550C		22.6V DC	1550 mA	BF2, BF21, F2, F3
DA35W1600C		21.9V DC	1600 mA	BF2, BF21, F2, F3
DA35W1680C		20.9V DC	1680 mA	BF2, BF21, F2, F3
DA35W1700C		20.6V DC	1700 mA	BF2, BF21, F2, F3
DA35W1750C		20.0V DC	1750 mA	BF2, BF21, F2, F3
DA35W1820C		19.3V DC	1820 mA	BF2, BF21, F2, F3
DA35W1900C		18.5V DC	1900 mA	BF2, BF21, F2, F3
DA35W2000C		17.5V DC	2000 mA	BF2, BF21, F2, F3
DA35W2050C		17.1V DC	2050 mA	BF2, BF21, F2, F3
DA35W2100C		16.7V DC	2100 mA	BF2, BF21, F2, F3
DA35W2200C		15.9V DC	2200 mA	BF2, BF21, F2, F3
DA35W2350C		14.9V DC	2350 mA	BF2, BF21, F2, F3
DA35W2400C		14.6V DC	2400 mA	BF2, BF21, F2, F3
DA35W2450C		14.3V DC	2450 mA	BF2, BF21, F2, F3
DA35W2500C		14.0V DC	2500 mA	BF2, BF21, F2, F3

Constant Voltage				
Model Number	Input Voltage	Output Voltage	Output Current	Available Form Factor
DA35W12V	120V AC 50/60Hz	12V DC	2900 mA	BF2, BF21, F2, F3
DA35W24V		24V DC	1450 mA	BF2, BF21, F2, F3

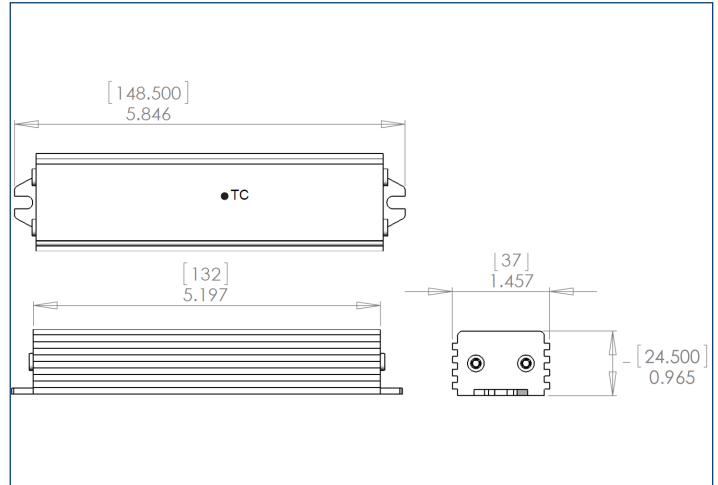
**MECHANICAL SPECS**

Available Form Factor	Dimensions
“BF2”	95.3x44.5x25.4mm (mounting studs)
“BF21”	95.3x44.5x25.4mm (no mounting studs)
“F2”	132x37x24.5mm
“F3”	71.6x62.6x30mm

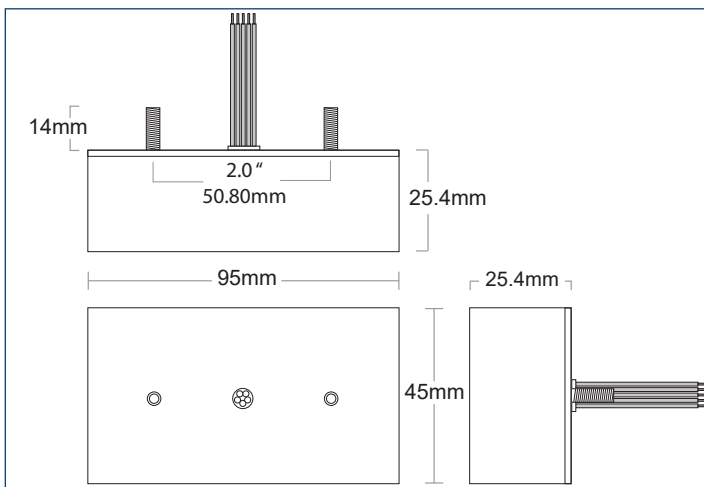
**F2**



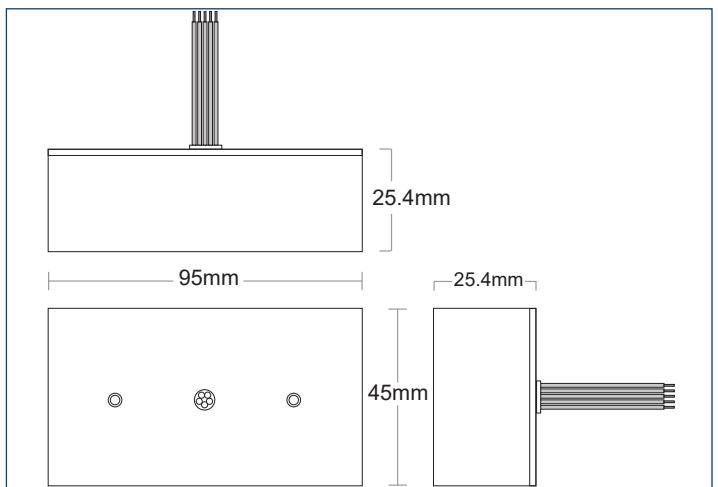
**F3**



**BF2**

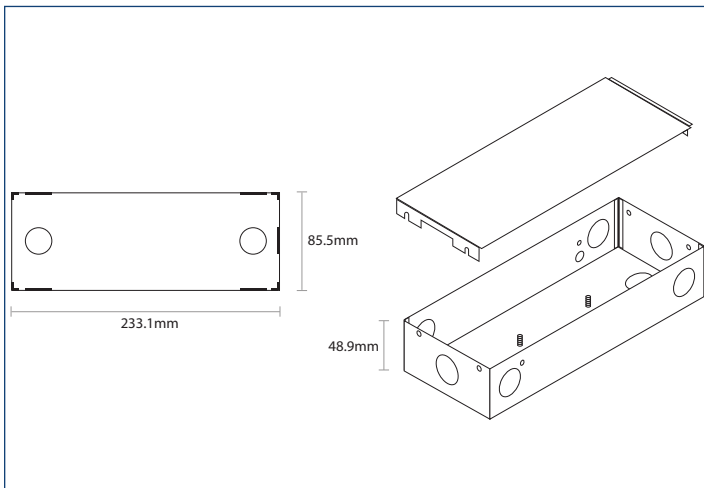


**BF21**

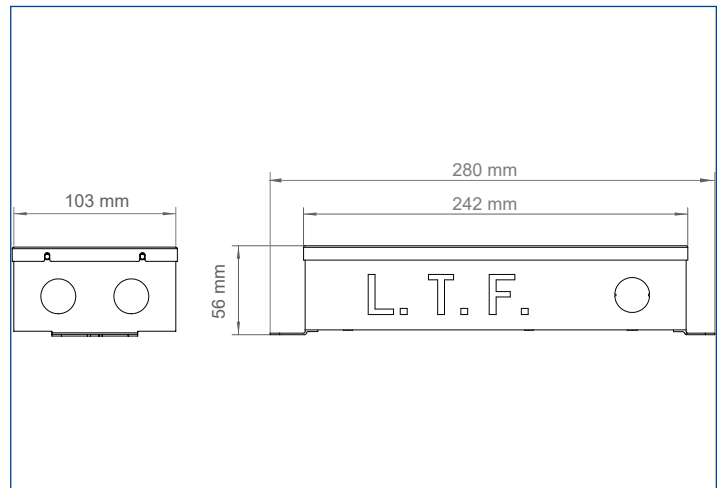


Remote Enclosure Option		
Model #	Remote Enclosure	Dimensions
LDA35WXXXXRE	G2	233.1x85.5x48.9mm
LDA35WXXXXREO	G3	280x103x56mm

**G2**



**G3**



## 35W DE35W 277V Series

Constant Current / Constant Voltage



Efficiency	>85%
Power Factor	>95%
Case TC	90°C Max.
Protection	Input / Output
Storage	-30°C / +90°C
Humidity	95% RH Max.
IP Rating	IP 60, 65, 67
Class	Class 2 Power Supply
Dimming	Non-Dimmable
Optional Dimming	0-10V, DALI



### FEATURES

- Exceeds California Title 24 Requirements (Form Factors BF2, BF21, T31, T41)
- Isolated output power per NEC and UL safety requirements
- UL and ETL recognized/ Listed, UL 8750, 1310
- Auto-reset ; Short circuit, Overload and Thermal protection
- Non-Dimmable
- Aluminum casing for optimal heat dissipation
- Low profile, small form factor, junction box mountable
- Flicker free dimming and excellent dimming range
- Class 2 power supply and other than Class 2 options
- Efficient, high power factor, low THD, FCC compliant



### ELECTRICAL SPECIFICATIONS

Constant Current				
Model Number	Input Voltage	Output Voltage	Output Current	Available Form Factor
DE35W600C	277V AC 50/60 Hz	58.4V DC	600mA	BF2, BF21, F2, F3
DE35W620C		56.5V DC	620 mA	BF2, BF21, F2, F3
DE35W700C		50.0V DC	700 mA	BF2, BF21, F2, F3
DE35W750C		46.7V DC	750 mA	BF2, BF21, F2, F3
DE35W780C		44.9V DC	780 mA	BF2, BF21, F2, F3
DE35W800C		43.0V DC	800mA	BF2, BF21, F2, F3
DE35W900C		38.9V DC	900 mA	BF2, BF21, F2, F3
DE35W950C		36.9V DC	950 mA	BF2, BF21, F2, F3
DE35W980C		35.8V DC	980 mA	BF2, BF21, F2, F3
DE35W1000C		35.0V DC	1000 mA	BF2, BF21, F2, F3

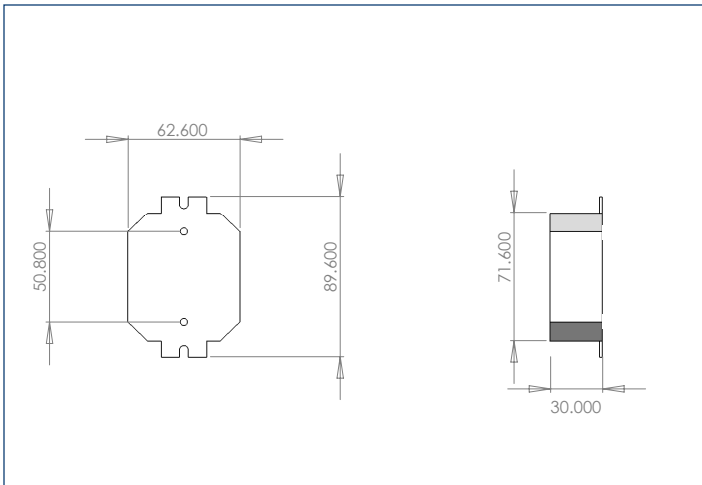
Constant Current				
Model Number	Input Voltage	Output Voltage	Output Current	Available Form Factor
DE35W1050C	277V AC 50/60 Hz	33.4V DC	1050 mA	BF2, BF21, F2, F3
DE35W1100C		31.9V DC	1100 mA	BF2, BF21, F2, F3
DE35W1130C		30.9V DC	1130 mA	BF2, BF21, F2, F3
DE35W1200C		29.2V DC	1200 mA	BF2, BF21, F2, F3
DE35W1250C		28.0V DC	1250 mA	BF2, BF21, F2, F3
DE35W1280C		27.4V DC	1280 mA	BF2, BF21, F2, F3
DE35W1300C		26.9V DC	1300 mA	BF2, BF21, F2, F3
DE35W1350C		25.9V DC	1350 mA	BF2, BF21, F2, F3
DE35W1400C		25.0V DC	1400 mA	BF2, BF21, F2, F3
DE35W1420C		24.7V DC	1420 mA	BF2, BF21, F2, F3
DE35W1480C		23.7V DC	1480 mA	BF2, BF21, F2, F3
DE35W1500C		23.4V DC	1500 mA	BF2, BF21, F2, F3
DE35W1550C		22.6V DC	1550 mA	BF2, BF21, F2, F3
DE35W1600C		21.9V DC	1600 mA	BF2, BF21, F2, F3
DE35W1680C		20.9V DC	1680 mA	BF2, BF21, F2, F3
DE35W1700C		20.6V DC	1700 mA	BF2, BF21, F2, F3
DE35W1750C		20.0V DC	1750 mA	BF2, BF21, F2, F3
DE35W1820C		19.3V DC	1820 mA	BF2, BF21, F2, F3
DE35W1900C		18.5V DC	1900 mA	BF2, BF21, F2, F3
DE35W2000C		17.5V DC	2000 mA	BF2, BF21, F2, F3
DE35W2050C		17.1V DC	2050 mA	BF2, BF21, F2, F3
DE35W2100C		16.7V DC	2100 mA	BF2, BF21, F2, F3
DE35W2200C		15.9V DC	2200 mA	BF2, BF21, F2, F3
DE35W2350C		14.9V DC	2350 mA	BF2, BF21, F2, F3
DE35W2400C		14.6V DC	2400 mA	BF2, BF21, F2, F3
DE35W2450C		14.3V DC	2450 mA	BF2, BF21, F2, F3
DE35W2500C		14.0V DC	2500 mA	BF2, BF21, F2, F3

Constant Voltage				
Model Number	Input Voltage	Output Voltage	Output Current	Available Form Factor
DE35W12V	277V AC 50/60Hz	12V DC	2900 mA	BF2, BF21, F2, F3
DE35W24V		24V DC	1450 mA	BF2, BF21, F2, F3

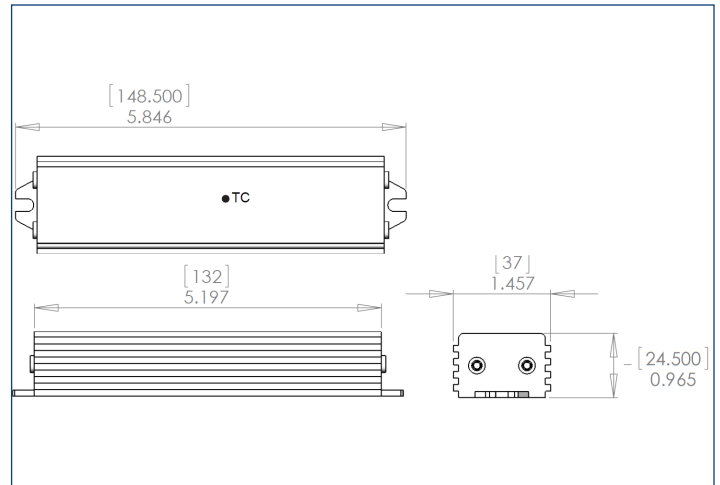
**MECHANICAL SPECS**

Available Form Factor	Dimensions
“BF2”	95.3x44.5x25.4mm (mounting studs)
“BF21”	95.3x44.5x25.4mm (no mounting studs)
“F2”	132x37x24.5mm
“F3”	71.6x62.6x30mm

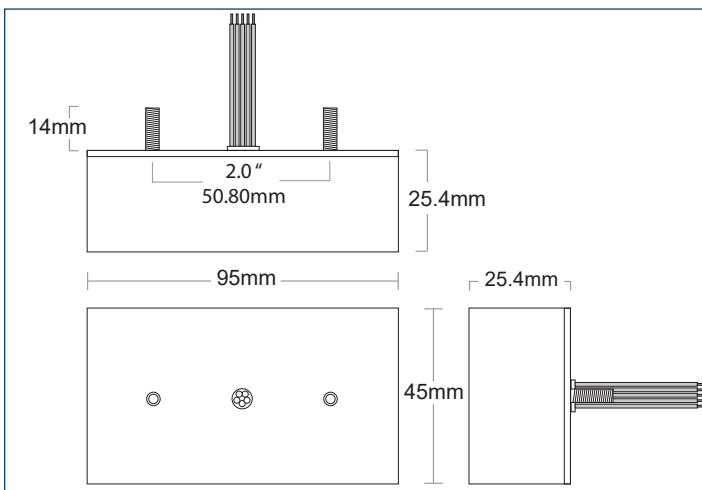
**F2**



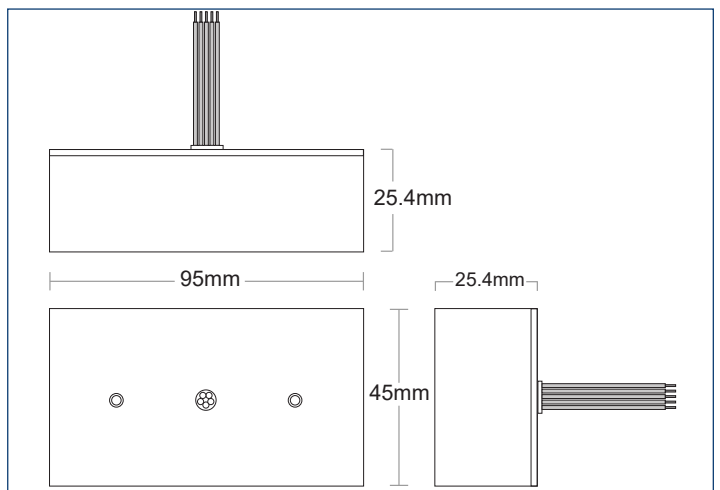
**F3**



**BF2**

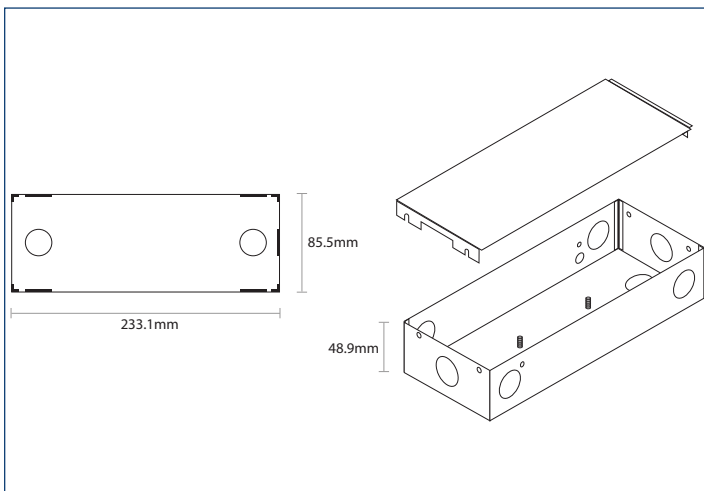


**BF21**

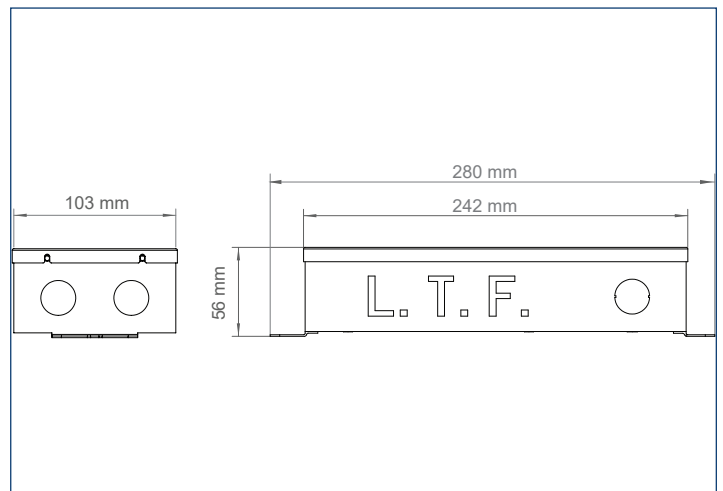


Remote Enclosure Option		
Model #	Remote Enclosure	Dimensions
LDA35WXXXRE	G2	233.1x85.5x48.9mm
LDA35WXXXREO	G3	280x103x56mm

**G2**



**G3**





## 35W DU35W 220-240V Series

Constant Current / Constant Voltage



Efficiency	>85%
Power Factor	>95%
Case TC	90°C Max.
Protection	Input / Output
Storage	-30°C / +90°C
Humidity	95% RH Max.
IP Rating	IP 60, 65, 67
Class	Class 2 Power Supply
Dimming	Non-Dimmable
Optional Dimming	0-10V, DALI



### FEATURES

- Exceeds California Title 24 Requirements (Form Factors BF2, BF21, T31, T41)
- Isolated output power per NEC and UL safety requirements
- UL and ETL recognized/ Listed, UL 8750, 1310
- Auto-reset ; Short circuit, Overload and Thermal protection
- Non-Dimmable
- Aluminum casing for optimal heat dissipation
- Low profile, small form factor, junction box mountable
- Flicker free dimming and excellent dimming range
- Class 2 power supply and other than Class 2 options
- Efficient, high power factor, low THD, FCC compliant



### ELECTRICAL SPECIFICATIONS

Constant Current				
Model Number	Input Voltage	Output Voltage	Output Current	Available Form Factor
DU35W600C	220-240V AC 50/60 Hz	58.4V DC	600mA	BF2, BF21, F2, F3
DU35W620C		56.5V DC	620 mA	BF2, BF21, F2, F3
DU35W700C		50.0V DC	700 mA	BF2, BF21, F2, F3
DU35W750C		46.7V DC	750 mA	BF2, BF21, F2, F3
DU35W780C		44.9V DC	780 mA	BF2, BF21, F2, F3
DU35W800C		43.0V DC	800mA	BF2, BF21, F2, F3
DU35W900C		38.9V DC	900 mA	BF2, BF21, F2, F3
DU35W950C		36.9V DC	950 mA	BF2, BF21, F2, F3
DU35W980C		35.8V DC	980 mA	BF2, BF21, F2, F3
DU35W1000C		35.0V DC	1000 mA	BF2, BF21, F2, F3

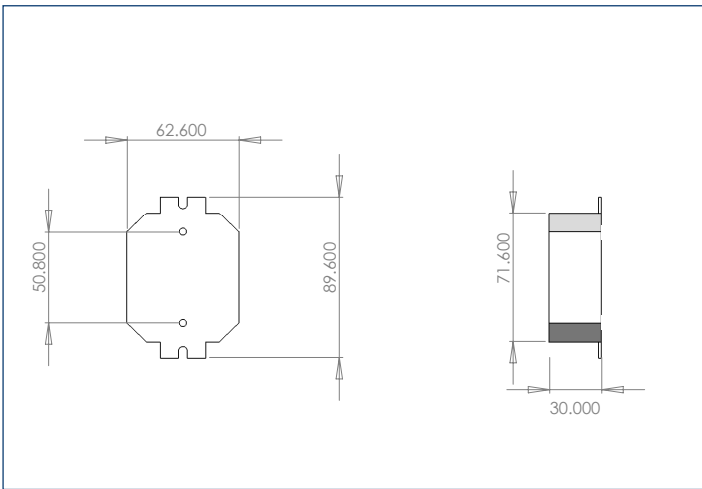
Constant Current				
Model Number	Input Voltage	Output Voltage	Output Current	Available Form Factor
DU35W1050C	220-240V AC 50/60 Hz	33.4V DC	1050 mA	BF2, BF21, F2, F3
DU35W1100C		31.9V DC	1100 mA	BF2, BF21, F2, F3
DU35W1130C		30.9V DC	1130 mA	BF2, BF21, F2, F3
DU35W1200C		29.2V DC	1200 mA	BF2, BF21, F2, F3
DU35W1250C		28.0V DC	1250 mA	BF2, BF21, F2, F3
DU35W1280C		27.4V DC	1280 mA	BF2, BF21, F2, F3
DU35W1300C		26.9V DC	1300 mA	BF2, BF21, F2, F3
DU35W1350C		25.9V DC	1350 mA	BF2, BF21, F2, F3
DU35W1400C		25.0V DC	1400 mA	BF2, BF21, F2, F3
DU35W1420C		24.7V DC	1420 mA	BF2, BF21, F2, F3
DU35W1480C		23.7V DC	1480 mA	BF2, BF21, F2, F3
DU35W1500C		23.4V DC	1500 mA	BF2, BF21, F2, F3
DU35W1550C		22.6V DC	1550 mA	BF2, BF21, F2, F3
DU35W1600C		21.9V DC	1600 mA	BF2, BF21, F2, F3
DU35W1680C		20.9V DC	1680 mA	BF2, BF21, F2, F3
DU35W1700C		20.6V DC	1700 mA	BF2, BF21, F2, F3
DU35W1750C		20.0V DC	1750 mA	BF2, BF21, F2, F3
DU35W1820C		19.3V DC	1820 mA	BF2, BF21, F2, F3
DU35W1900C		18.5V DC	1900 mA	BF2, BF21, F2, F3
DU35W2000C		17.5V DC	2000 mA	BF2, BF21, F2, F3
DU35W2050C		17.1V DC	2050 mA	BF2, BF21, F2, F3
DU35W2100C		16.7V DC	2100 mA	BF2, BF21, F2, F3
DU35W2200C		15.9V DC	2200 mA	BF2, BF21, F2, F3
DU35W2350C		14.9V DC	2350 mA	BF2, BF21, F2, F3
DU35W2400C		14.6V DC	2400 mA	BF2, BF21, F2, F3
DU35W2450C		14.3V DC	2450 mA	BF2, BF21, F2, F3
DU35W2500C		14.0V DC	2500 mA	BF2, BF21, F2, F3

Constant Voltage				
Model Number	Input Voltage	Output Voltage	Output Current	Available Form Factor
DU35W12V	220-240V AC 50/60Hz	12V DC	2900 mA	BF2, BF21, F2, F3
DU35W24V		24V DC	1450 mA	BF2, BF21, F2, F3

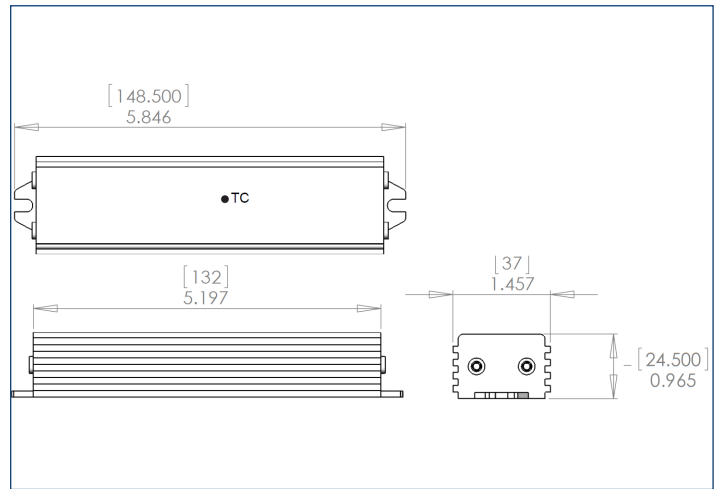
**MECHANICAL SPECS**

Available Form Factor	Dimensions
“BF2”	95.3x44.5x25.4mm (mounting studs)
“BF21”	95.3x44.5x25.4mm (no mounting studs)
“F2”	132x37x24.5mm
“F3”	71.6x62.6x30mm

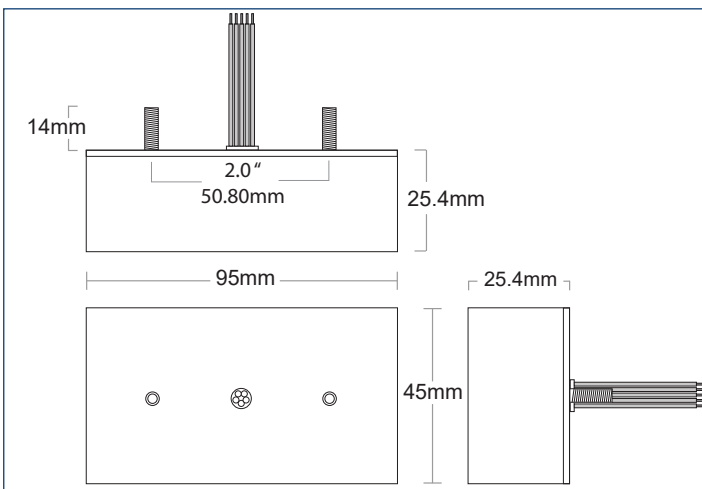
**F2**



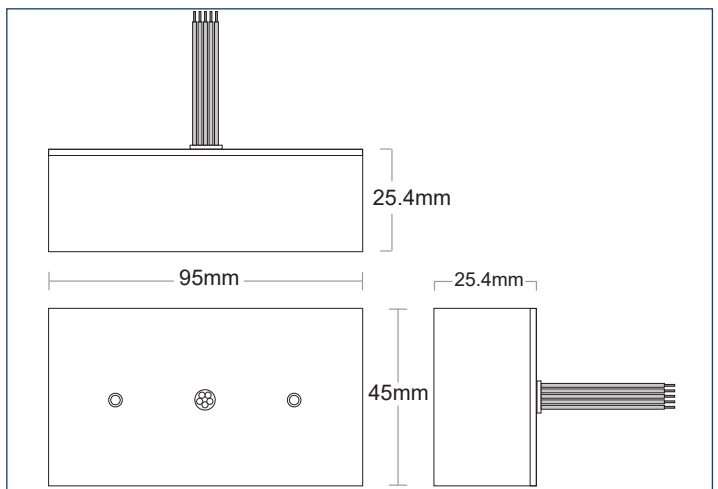
**F3**



**BF2**

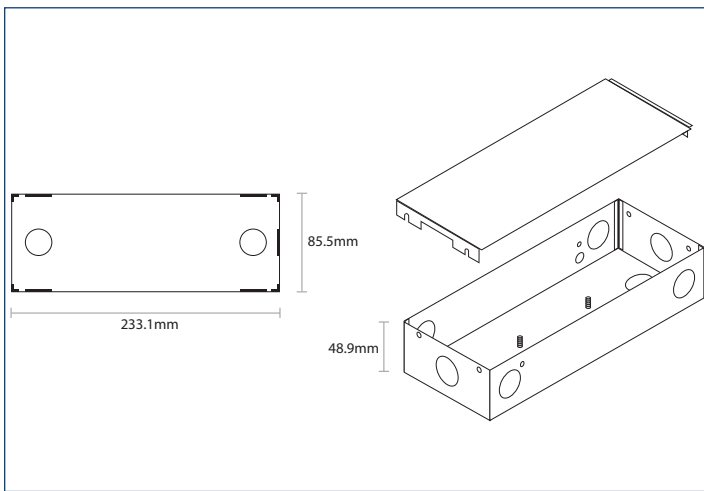


**BF21**



Remote Enclosure Option		
Model #	Remote Enclosure	Dimensions
LDA35WXXXXRE	G2	233.1x85.5x48.9mm
LDA35WXXXXREO	G3	280x103x56mm

**G2**



**G3**

