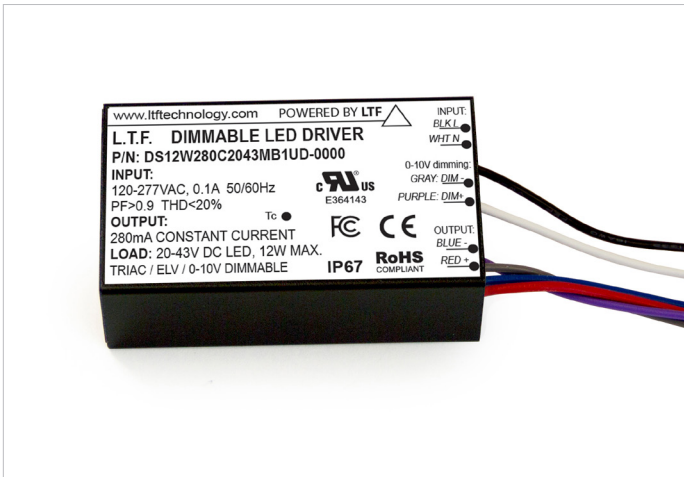


**UNIDRIVER**

**12W DS12W 120-277V Series**  
Constant Current - Constant Voltage



|                                    |                      |
|------------------------------------|----------------------|
| Efficiency                         | > 85%                |
| Power Factor                       | > 95%                |
| Case TC                            | 90°C Max.            |
| Protection                         | Input / Output       |
| Storage                            | -30°C / +90°C        |
| Humidity                           | 95% RH Max.          |
| IP Rating                          | IP64                 |
| Class                              | Class 2 Power Supply |
| Dimming                            | TRIAC/ELV/0-10V      |
| Output Voltage or Constant Current | 250mA - 1000mA       |



**FEATURES**

- All-In-One dimming capabilities; Triac, ELV, and 0-10V dimming
- Universal input voltage; 120-277V AC
- Isolated output power per NEC and UL safety requirements
- UL recognized/ Listed, UL8750, UL1310
- Auto-reset; Short circuit, Overload and Thermal protection
- Superior thermal performance

- Aluminum case with high W/m.K encapsulating material
- Low profile, small form factor, junction box mountable
- Smooth dimming 0% to 100% dimmable
- Meet and exceed Title 24 flicker requirements
- Class 2 power supply and other than Class 2 options
- Efficient, high power factor, low THD, FCC class B



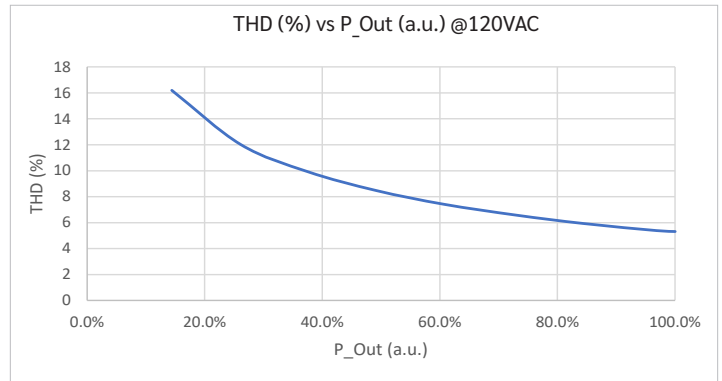
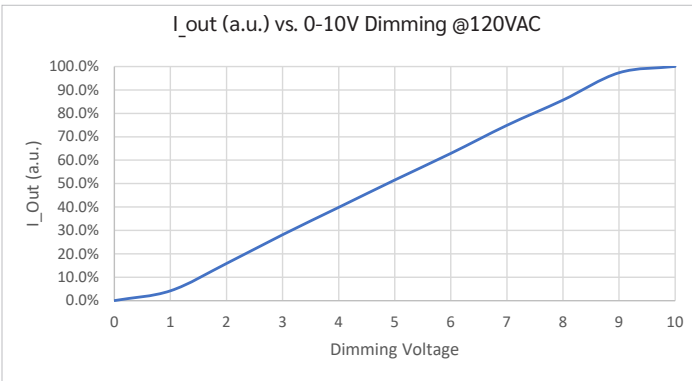
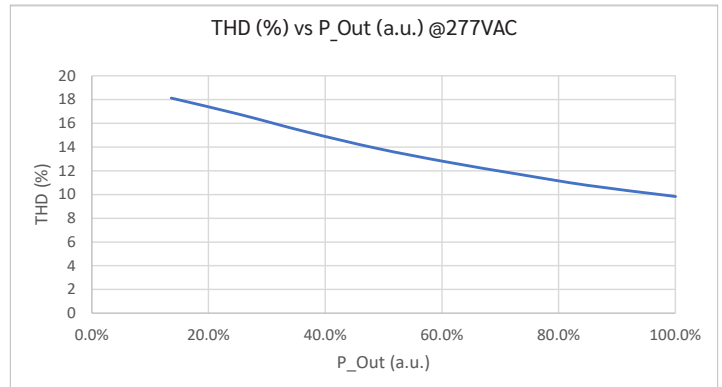
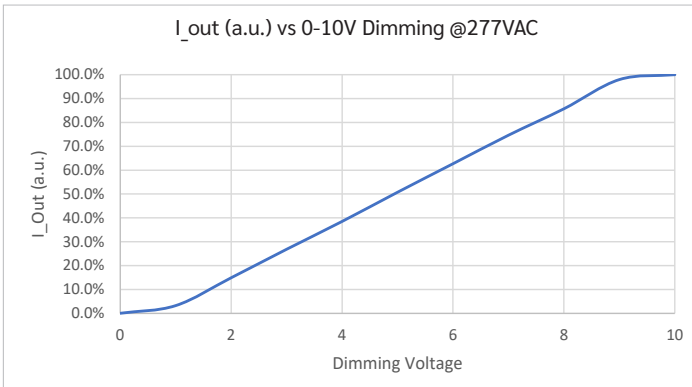
**ELECTRICAL SPECIFICATIONS**

| Constant Current |                                     |                |                |                       |
|------------------|-------------------------------------|----------------|----------------|-----------------------|
| Model Number     | Input Voltage                       | Output Voltage | Output Current | Available Form Factor |
| DS12W250C2548UD  | 120 - 277VAC<br>>0.95 PF<br>50/60Hz | 25-48V DC      | 250mA          | G1, G4, MB1, D3, SM1  |
| DS12W280C2043UD  |                                     | 20-43V DC      | 280mA          | G1, G4, MB1, D3, SM1  |
| DS12W300C2040UD  |                                     | 20-40V DC      | 300mA          | G1, G4, MB1, D3, SM1  |
| DS12W320C1838UD  |                                     | 18-38V DC      | 320mA          | G1, G4, MB1, D3, SM1  |
| DS12W350C1534UD  |                                     | 15-34V DC      | 350mA          | G1, G4, MB1, D3, SM1  |
| DS12W440C1028UD  |                                     | 10-28V DC      | 440mA          | G1, G4, MB1, D3, SM1  |
| DS12W550C1022UD  |                                     | 10-22V DC      | 550mA          | G1, G4, MB1, D3, SM1  |
| DS12W700C1017UD  |                                     | 10-17V DC      | 700mA          | G1, G4, MB1, D3, SM1  |
| DS12W750C1016UD  |                                     | 10-16V DC      | 750mA          | G1, G4, MB1, D3, SM1  |
| DS12W1000C1012UD |                                     | 10-12V DC      | 1000mA         | G1, G4, MB1, D3, SM1  |

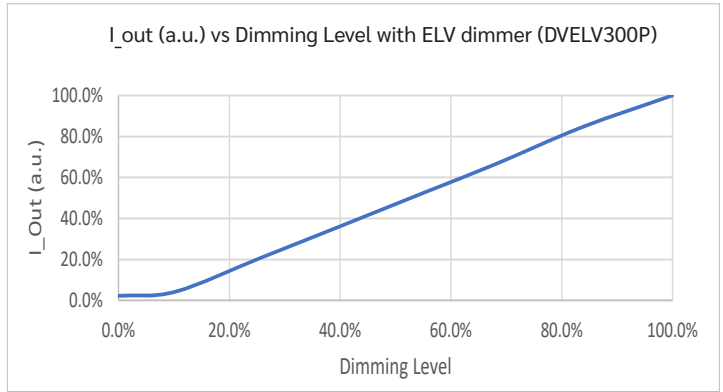
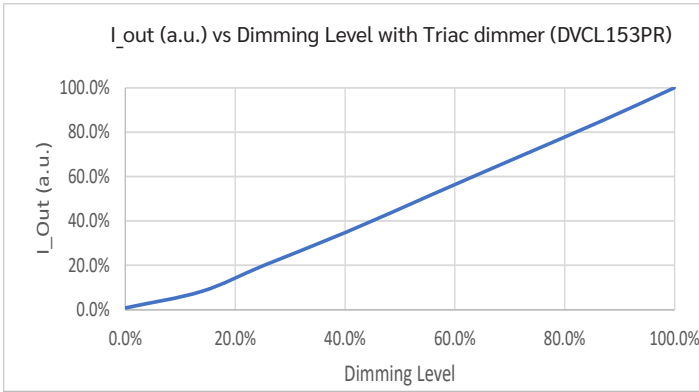
**Constant Voltage**

| Model Number | Input Voltage          | Output Voltage | Output Current | Available Form Factors    |
|--------------|------------------------|----------------|----------------|---------------------------|
| DS12W12VUD   | 120-277V AC<br>50/60Hz | 12VDC          | 1000mA         | BF, BF1, MB1, LS1, G1, G4 |
| DS12W24VUD   |                        | 24VDC          | 500mA          | BF, BF1, MB1, LS1, G1, G4 |
| DS12W48VUD   |                        | 48VDC          | 250mA          | BF, BF1, MB1, LS1, G1, G4 |

**DIMMING CHARACTERISTICS**



\*Dimming tests based off Model : DS12W350C1536MB1UDT24-0000



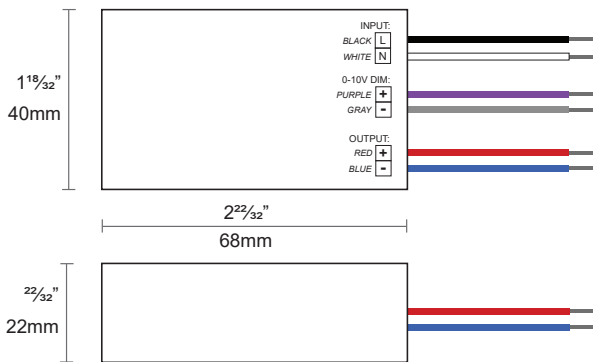
\*Dimming tests based off Model : DS12W350C1536MB1UDT24-0000

### MECHANICAL SPECS

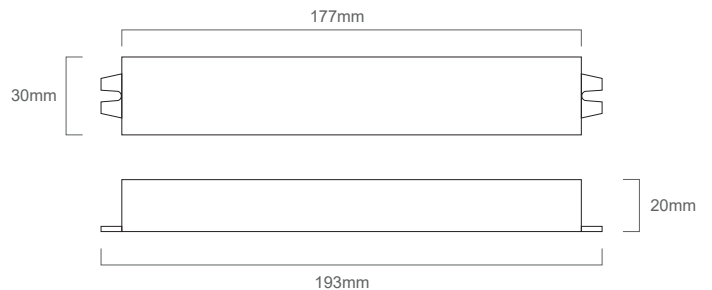
| Form Factors | Dimensions       |
|--------------|------------------|
| “MB1”        | 68 x 40 x 22mm   |
| “BF”         | 77.4 x 39 x 25mm |
| “BF1”        | 77.4 x 39 x 25mm |
| “D3”         | 39.5 x 87mm      |
| “SM1”        | 43 x 111 x 24mm  |
| “G1”         | 207 x 50.8x 43mm |
| “G4”         | 238 x 66 x 48mm  |
| “LS1”        | 177 x 30 x 20mm  |



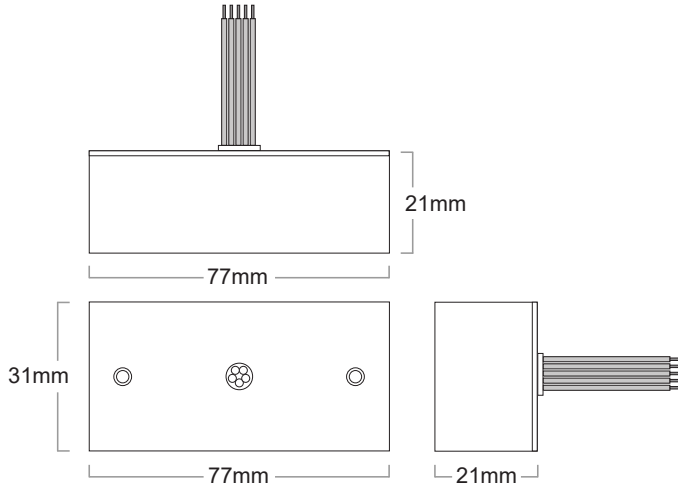
#### MB1



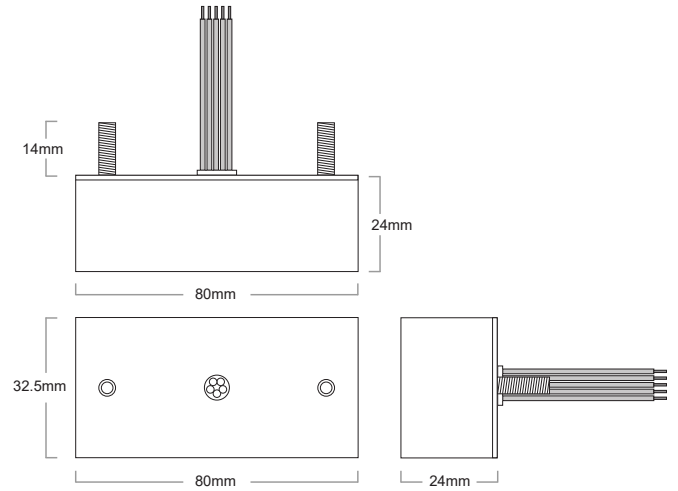
#### LS1



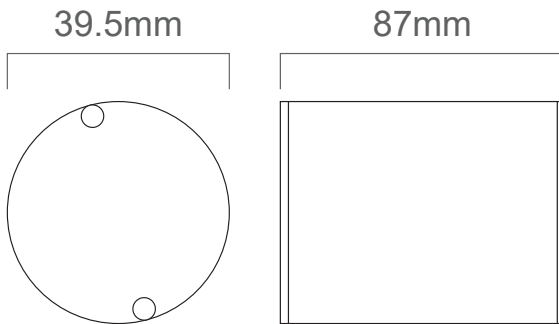
**BF1**



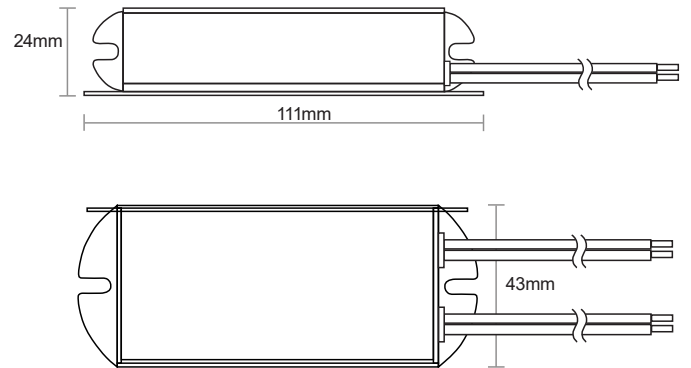
**BF**



**D3**



**SM1**

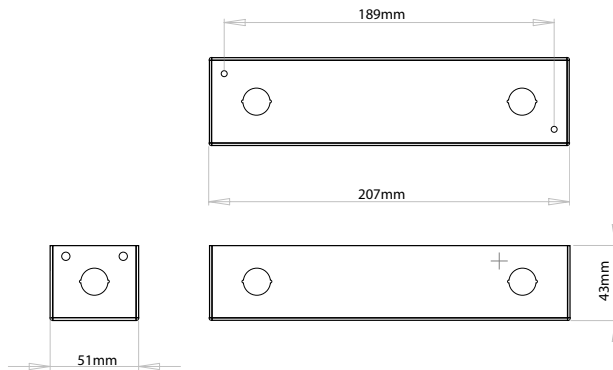


**MECHANICAL SPECS FOR UL LISTED MODELS**

| Remote Enclosure Option |                  |
|-------------------------|------------------|
| Model Number            | Remote Enclosure |
| LDS12WXXXXRE            | G1               |
| LDS12WXXXXREO           | G4               |



**G1**



**G4**

