

**DA6W-3001 120V SERIES**  
Constant Current / Constant Voltage



Efficiency	80%
Power Factor	>0.9
Case TC	90°C Max.
Protection	Input / Output
Storage	-25°C / +80°C
Humidity	90% RH Max.
IP Rating	IP44
Class	Class 2 Power Supply
Dimming	ELV, TRIAC
Output Voltage or Constant Current	150 - 500mA or 12V - 48V DC

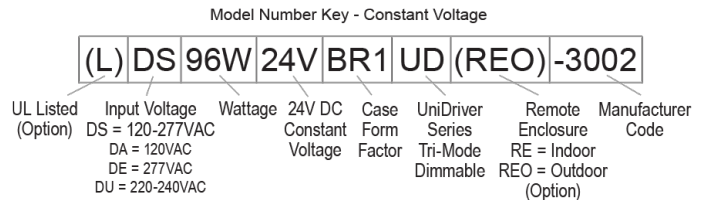
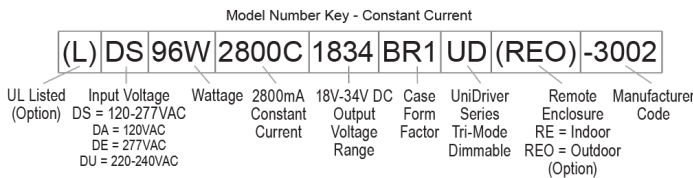


- California Title 24 compliant
- Isolated output power per NEC and UL safety requirements
- UL and ETL recognized/ Listed, UL 8750
- Auto-reset; short circuit, overload and thermal protection
- Dimmable with ELV and Triac type dimmers
- Aluminum casing for optimal heat dissipation

**FEATURES**

- Low profile, small form factor
- Flicker free dimming and excellent dimming range
- Class 2 and other than Class 2 power supply
- Efficient, high power factor, low THD, FCC compliant
- Constant current or constant voltage models available

**MODEL KEY**



**MODEL SPECIFICATIONS**

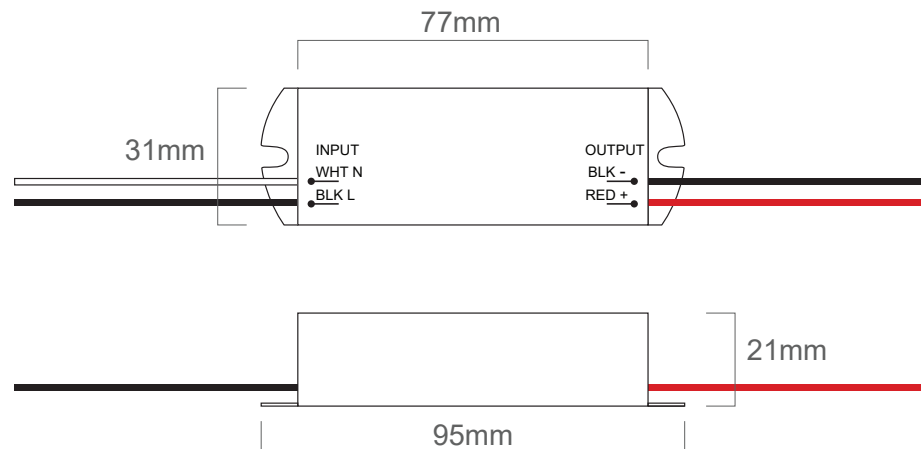
CONSTANT CURRENT					
Model Number	Input Voltage	Wattage	Output Voltage	Output Current	Available Form Factor
DA6W200C2130-3001	120V AC, 0.07A 60Hz	6W	21-30V DC	200mA	T11

CONSTANT CURRENT					
Model Number	Input Voltage	Wattage	Output Voltage	Output Current	Available Form Factor
DA6W250C1524-3001	120V AC, 0.07A 60Hz	6W	15-24V DC	250mA	T11
DA6W300C1120-3001		6W	11-20V DC	300mA	T11
DA6W350C0817-3001		6W	08-17V DC	350mA	T11
DA6W400C0615-3001		6W	06-15V DC	400mA	T11
DA6W450C0413-3001		6W	04-13V DC	450mA	T11
DA6W500C0312-3001		6W	03-12V DC	500mA	T11
DA6W700C0509-3001		6W	05-09V DC	700mA	T11

CONSTANT VOLTAGE					
Model Number	Input Voltage	Wattage	Output Voltage	LOAD	Available Form Factor
DA6W12V-3001	120V AC, 0.07A 60Hz	6W	12V DC	12V DC LED, 0.54 max.	T11
DA6W24V-3001		6W	24V DC	24V DC LED, 0.25A max.	T11
DA6W48V-3001		6W	48V DC	48V DC LED, 0.125A max.	T11

**MECHANICAL SPECS**

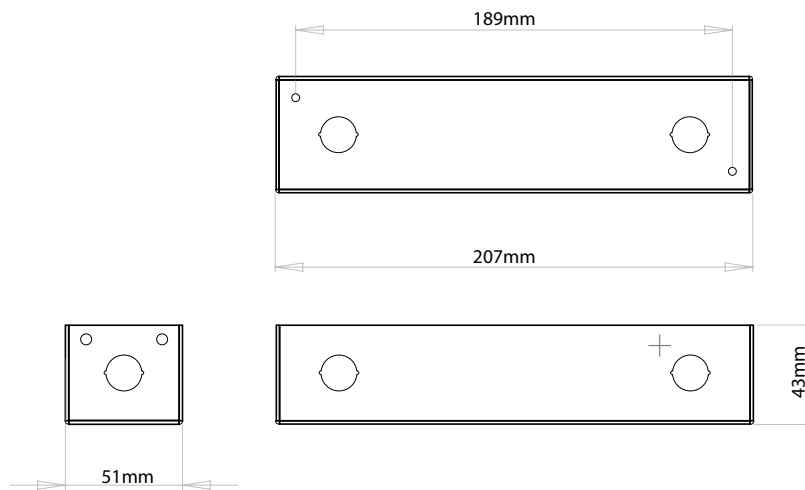
FORM FACTOR	DIMENSIONS
T11	95 (77) x 31 x 21mm



## REMOTE ENCLOSURES

FORM FACTOR	DIMENSIONS
G1 (Damp Rated)	207 x 51 x 43mm
G4 (Wet Rated)	238 (202) x 66 x 48mm

### G1



### G4

