

DA15W-3001 120V Series

Constant Current / Constant Voltage



Efficiency	>80%
Power Factor	>0.90
Case TC	90°C Max.
Protection	Input / Output
Storage	-25°C / +80°C
Humidity	90% RH Max.
IP Rating	IP44
Class	Class 2 Power Supply
Dimming	ELV, TRIAC
Output Voltage or Constant Current	12V - 48V DC or 200mA - 700mA



- California Title 24 compliant
- Isolated output power per NEC and UL safety requirements
- UL and ETL recognized/Listed, UL 8750
- Auto-reset; short circuit, overload and thermal protection
- Dimmable with ELV and TRIAC type dimmers

FEATURES

- Low profile, small form factor
- Flicker free dimming and excellent dimming range
- Class 2 and other than Class 2 options
- Efficient, high power factor, low THD, FCC compliant
- Constant current or Constant voltage models available

MODEL KEY

Model Number Key - Constant Current

(L)	DS	96W	2800C	1834	BR1	UD	(REO)	-3002
UL Listed (Option)	Input Voltage DS = 120-277VAC DA = 120VAC DE = 277VAC DU = 220-240VAC	Wattage	2800mA Constant Current	18V-34V DC Output Voltage Range	Case Form Factor	UniDriver Series Tri-Mode Dimmable	Remote Enclosure RE = Indoor REO = Outdoor (Option)	Manufacturer Code

Model Number Key - Constant Voltage

(L)	DS	96W	24V	BR1	UD	(REO)	-3002
UL Listed (Option)	Input Voltage DS = 120-277VAC DA = 120VAC DE = 277VAC DU = 220-240VAC	Wattage	24V DC Constant Voltage	Case Form Factor	UniDriver Series Tri-Mode Dimmable	Remote Enclosure RE = Indoor REO = Outdoor (Option)	Manufacturer Code

MODEL SPECIFICATIONS

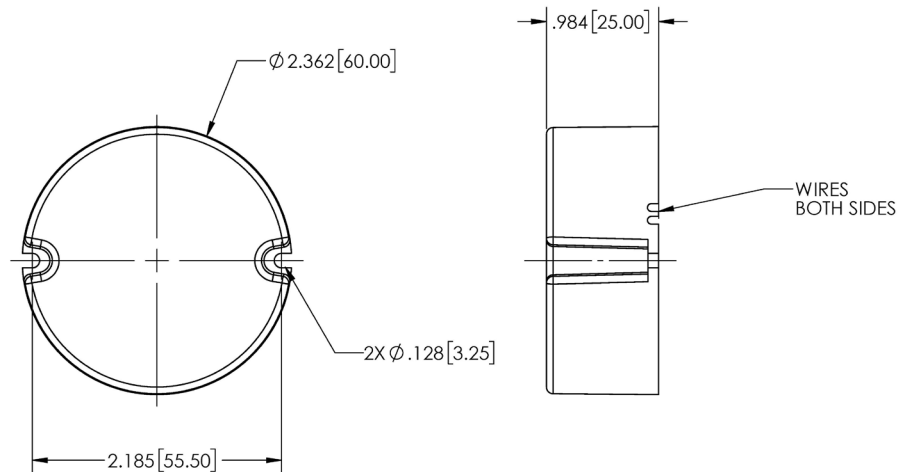
CONSTANT CURRENT					
Model Number	Input Voltage	Wattage	Output Voltage	Output Current	Available Form Factor
DA15W200C5975F4-3001	120V AC, 0.16A 60Hz	15W	59 - 75V DC	200mA	F4

CONSTANT CURRENT					
Model Number	Input Voltage	Wattage	Output Voltage	Output Current	Available Form Factor
DA15W250C4460F4-3001	120V AC, 0.16A 60Hz	15W	44 - 60V DC	250mA	F4
DA15W300C3450F4-3001			34 - 50V DC	300mA	F4
DA15W350C2742F4-3001			27 - 42VDC	350mA	F4
DA15W400C2137F4-3001			21 - 37V DC	400mA	F4
DA15W450C1733F4-3001			17 - 33V DC	450mA	F4
DS15W500C1430F4-3001	120V AC, 0.16A 60Hz	15W	14 - 30V DC	500mA	F4
DA15W550C1127F4-3001			11 - 27V DC	550mA	F4
DA15W600C0925F4-3001			09 - 25V DC	600mA	F4
DA15W700C0521F4-3001			05 - 21V DC	700mA	F4

CONSTANT VOLTAGE					
Model Number	Input Voltage	Wattage	Output Voltage	Load	Available Form Factor
DA15W12VF4-3001	120V AC, 0.16A 60Hz	15W	12V DC	12V DC LED, 1.25A max.	F4
DA15W24VF4-3001			24V DC	24V DC LED, 0.625A max.	
DA15W48VF4-3001			48V DC	48V DC LED, 0.313A max.	

MECHANICAL SPECS

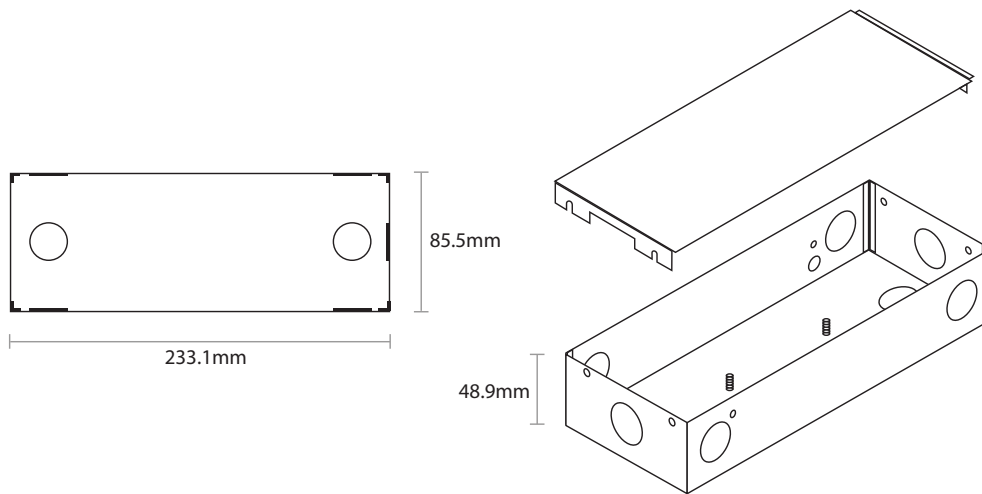
Model Number	Dimensions
F4	ø60 x 25mm



REMOTE ENCLOSURES

MODEL	ENCLOSURE TYPE	ENCLOSURE DIMENSIONS
DA15W-XXXX-RE-3001	G2 (Damp Rated)	233 x 85.5 x 49mm
DA15W-XXXX-REO-3001	G3 (Wet Rated)	280 (242) x 103 x 56mm

G2



G3

