

DS75W-3002 120V-277V SERIES

Constant Current / Constant Voltage

UNIDRIVER[®]



Efficiency	>85%
Power Factor	>0.90
Case TC	85°C Max.
Protection	Input / Output
Storage	-30°C / +90°C
Humidity	95% RH Max.
IP Rating	IP67
Class	Class 2 Power Supply
Dimming	ELV, TRIAC, 0-10V
Output Voltage or Constant Current	12V - 48V or 1050mA - 1740mA



- Universal Input 120V-277V AC 50/60Hz
- True Tri Mode Dimming at all input voltages 0-10V, ELV & Triac
- Smooth, flicker free dimming 100%-0.1%
- Title 24 Compliant, AAA rating
- Class 2 power supply available
- Isolated output power per NEC and UL safety requirements

FEATURES

- UL & ETL recognized/ listed, meets UL 8750, 1310 requirements
- Auto-reset; short circuit, overload and thermal protection
- Low profile, small form factor, junction box mountable
- Efficient, High power factor > 0.90

MODEL KEY

Model Number Key - Constant Current

(L)	DS	96W	2800C	1834	BR1	UD	(REO)	-3002
UL Listed (Option)	Input Voltage DS = 120-277VAC DA = 120VAC DE = 277VAC DU = 220-240VAC	Wattage	2800mA Constant Current	18V-34V DC Output Voltage Range	Case Form Factor	UniDriver Series Tri-Mode Dimmable	Remote Enclosure RE = Indoor REO = Outdoor (Option)	Manufacturer Code

Model Number Key - Constant Voltage

(L)	DS	96W	24V	BR1	UD	(REO)	-3002
UL Listed (Option)	Input Voltage DS = 120-277VAC DA = 120VAC DE = 277VAC DU = 220-240VAC	Wattage	24V DC Constant Voltage	Case Form Factor	UniDriver Series Tri-Mode Dimmable	Remote Enclosure RE = Indoor REO = Outdoor (Option)	Manufacturer Code

MODEL SPECIFICATIONS

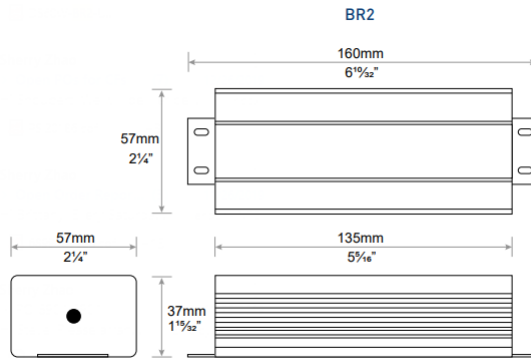
Constant Current					
Model Number	Input Voltage	Wattage	Output Voltage	Output Current	Available Form Factor
DS75W1740C2243BR2UD-3002	120-277V AC, 0.8A 50/60Hz	75W	22V - 43V	1740mA	BR2
DS75W1330C3056BR2UD-3002		75W	30V - 56V	1330mA	BR2
DS75W1050C4872BR2UD-3002		75W	48V - 72V	1050mA	BR2

Constant Voltage

Model Number	Input Voltage	Wattage	Output Voltage	Load	Available Form Factor
DS75W12VBR2UD-3002	120-277V AC, 0.8A 50/60Hz	75W	12V DC	12V DC LED, 6.25A Max.	BR2
DS75W24VBR2UD-3002		75W	24V DC	24V DC LED, 3.12A Max.	BR2
DS75W48VBR2UD-3002		75W	48V DC	48V DC LED, 1.56A Max.	BR2

MECHANICAL SPECS

FORM FACTOR	DIMENSIONS
BR2	160 (135) x 57 x 37mm

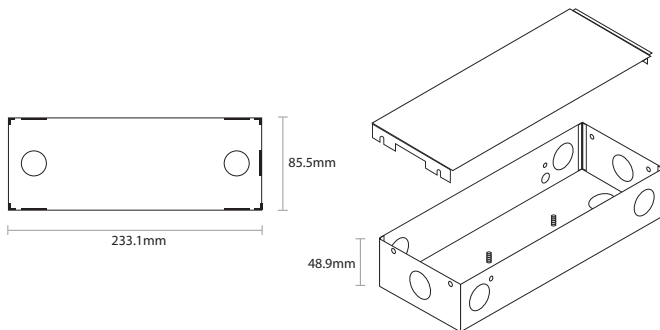


REMOTE ENCLOSURES

Form Factor	Enclosure Type	Dimensions
LDS75W-XXXX-BR2UDRE-3002	G2 (Damp Rated)	233.1 x 85.5 x 48.9mm
LDS75W-XXXX-BR2UDREO-3002	G3 (Wet Rated)	280 (242) x 103 x 56mm



G2



G3

