

DL 6W, 8W, 12W, 12V & 24V SERIES

Constant Current Low Voltage Dimmable Driver



| | |
|--------------|----------------------|
| Efficiency | >80% |
| Power Factor | >0.90 |
| Case TC | 90°C Max. |
| Protection | Input / Output |
| Storage | -30°C / +90°C |
| Humidity | 95% RH Max. |
| IP Rating | IP 44 |
| Class | Class 2 Power Supply |
| Dimming | ELV, CL |



- Rated for 12V & 24V magnetic & electronic transformers
- Fully dimmable with electronic transformer & magnetic transformer power sources
- Flicker free dimming
- California Title 24 compliant
- Excellent choice to integrate in low voltage LED fixtures
- 150-900mA constant current options
- Aluminum casing for optimal heat dissipation

FEATURES

- Isolated output power per NEC and UL safety requirements
- UL & ETL recognized/listed, meets UL 8750, 1310 requirements
- Auto-reset; short circuit, overload and thermal protection
- Low profile, small form factor, junction box mountable
- Class 2 power supply
- Efficient, high power factor >0.90

MODEL SPECIFICATIONS

| 6 Watts, 12V Input | | | | | |
|--------------------|-------------------------|---------|----------------|----------------|-----------------------|
| Model Number | Input Voltage | Wattage | Output Voltage | Output Current | Available Form Factor |
| DL16W150C2940-3011 | 12V AC 0.6A, 0-50KHz | 6W | 29-40V DC LED | 150mA | A10 |
| DL16W200C2630-3011 | | 6W | 26-30V DC LED | 200mA | A10 |
| DL16W250C2024-3011 | | 6W | 20-24V DC LED | 250mA | A10 |
| DL16W300C1721-3011 | | 6W | 17-21V DC LED | 300mA | A10 |
| DL16W350C1418-3011 | | 6W | 14-18V DC LED | 350mA | A10 |
| DL16W400C1115-3011 | | 6W | 11-15V DC LED | 400mA | A10 |
| DL16W450C1014-3011 | | 6W | 10-14V DC LED | 450mA | A10 |
| DL16W700C0509-3011 | | 6W | 05-09V DC LED | 700mA | A10 |

| 6 Watts, 24V Input | | | | | |
|--------------------|-------------------------|---------|----------------|----------------|-----------------------|
| Model Number | Input Voltage | Wattage | Output Voltage | Output Current | Available Form Factor |
| DL26W150C2940-3011 | 24V AC 0.3A, 0.50KHz | 6W | 29-40V DC LED | 150mA | A10 |
| DL26W200C2630-3011 | | 6W | 26-30V DC LED | 200mA | A10 |
| DL26W250C2124-3011 | | 6W | 20-24V DC LED | 250mA | A10 |
| DL26W300C1721-3011 | | 6W | 17-21V DC LED | 300mA | A10 |
| DL26W350C1418-3011 | | 6W | 14-18V DC LED | 350mA | A10 |
| DL26W400C1115-3011 | | 6W | 11-15V DC LED | 400mA | A10 |
| DL26W450C1014-3011 | | 6W | 03-14V DC LED | 450mA | A10 |
| DL26W700C0509-3011 | | 6W | 05-09V DC LED | 700mA | A10 |

| 8 Watts, 12V Input | | | | | |
|--------------------|-----------------------|---------|----------------|----------------|-----------------------|
| Model Number | Input Voltage | Wattage | Output Voltage | Output Current | Available Form Factor |
| DL18W200C3040-3011 | 12V AC 1A, 0.50KHz | 8W | 30-40V DC LED | 200mA | A10 |
| DL18W250C2935-3011 | | 8W | 29-35V DC LED | 250mA | A10 |
| DL18W300C2226-3011 | | 8W | 22-26V DC LED | 300mA | A10 |
| DL18W350C1923-3011 | | 8W | 19-23V DC LED | 350mA | A10 |
| DL18W400C1721-3011 | | 8W | 17-21V DC LED | 400mA | A10 |
| DL18W450C1417-3011 | | 8W | 14-17V DC LED | 450mA | A10 |
| DL18W500C1216-3011 | | 8W | 12-16V DC LED | 500mA | A10 |
| DL18W600C1014-3011 | | 8W | 10-14V DC LED | 600mA | A10 |

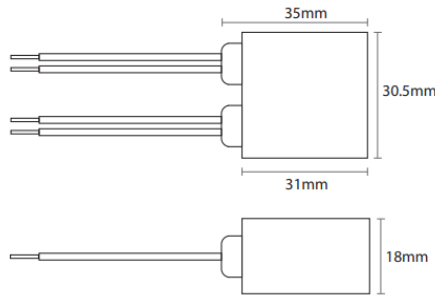
| 8 Watts, 24V Input | | | | | |
|--------------------|-------------------------|---------|----------------|----------------|-----------------------|
| Model Number | Input Voltage | Wattage | Output Voltage | Output Current | Available Form Factor |
| DL28W200C3040-3011 | 24V AC 0.5A, 0.50KHz | 8W | 30-40V DC LED | 200mA | A10 |
| DL28W250C2935-3011 | | 8W | 29-35V DC LED | 250mA | A10 |
| DL28W300C2226-3011 | | 8W | 22-26V DC LED | 300mA | A10 |
| DL28W350C1923-3011 | | 8W | 19-23V DC LED | 350mA | A10 |
| DL28W400C1721-3011 | | 8W | 17-21V DC LED | 400mA | A10 |
| DL28W450C1417-3011 | | 8W | 14-17V DC LED | 450mA | A10 |
| DL28W500C1216-3011 | | 8W | 12-16V DC LED | 500mA | A10 |
| DL28W600C1014-3011 | | 8W | 10-14V DC LED | 600mA | A10 |

| 12 Watts, 12V Input | | | | | |
|---------------------|-------------------------|---------|----------------|----------------|-----------------------|
| Model Number | Input Voltage | Wattage | Output Voltage | Output Current | Available Form Factor |
| DL112W200C4960-3011 | 12V AC 1.4A, 0.50KHz | 12W | 49-60V DC LED | 200mA | A10 |
| DL112W250C3748-3011 | | 12W | 37-48V DC LED | 250mA | A10 |
| DL112W300C2940-3011 | | 12W | 29-40V DC LED | 300mA | A10 |
| DL112W350C2435-3011 | | 12W | 24-35V DC LED | 350mA | A10 |
| DL112W400C2230-3011 | | 12W | 22-30V DC LED | 400mA | A10 |
| DL112W450C1927-3011 | | 12W | 19-27V DC LED | 450mA | A10 |
| DL112W500C1724-3011 | | 12W | 17-24V DC LED | 500mA | A10 |
| DL112W600C1520-3011 | | 12W | 15-20V DC LED | 600mA | A10 |
| DL112W700C1418-3011 | | 12W | 14-18V DC LED | 700mA | A10 |
| DL112W800C1215-3011 | | 12W | 12-15V DC LED | 800mA | A10 |
| DL112W900C1014-3011 | | 12W | 10-14V DC LED | 900mA | A10 |

| 12 Watts, 24V Input | | | | | |
|---------------------|-------------------------|---------|----------------|----------------|-----------------------|
| Model Number | Input Voltage | Wattage | Output Voltage | Output Current | Available Form Factor |
| DL212W200C4960-3011 | 24V AC 0.7A, 0.50KHz | 12W | 49-60V DC LED | 200mA | A10 |
| DL212W250C3748-3011 | | 12W | 37-48V DC LED | 250mA | A10 |
| DL212W300C2940-3011 | | 12W | 29-40V DC LED | 300mA | A10 |
| DL212W350C2435-3011 | | 12W | 24-35V DC LED | 350mA | A10 |
| DL212W400C2230-3011 | | 12W | 22-30V DC LED | 400mA | A10 |
| DL212W450C1927-3011 | | 12W | 19-27V DC LED | 450mA | A10 |
| DL212W500C1724-3011 | | 12W | 17-24V DC LED | 500mA | A10 |
| DL212W600C1520-3011 | | 12W | 15-20V DC LED | 600mA | A10 |
| DL212W700C1418-3011 | | 12W | 14-18V DC LED | 700mA | A10 |
| DL212W800C1215-3011 | | 12W | 12-15V DC LED | 800mA | A10 |
| DL212W900C1014-3011 | | 12W | 10-14V DC LED | 900mA | A10 |

MECHANICAL SPECS

| FORM FACTOR | DIMENSIONS |
|-------------|-----------------------|
| A10 | 35 (31) x 30.5 x 18mm |

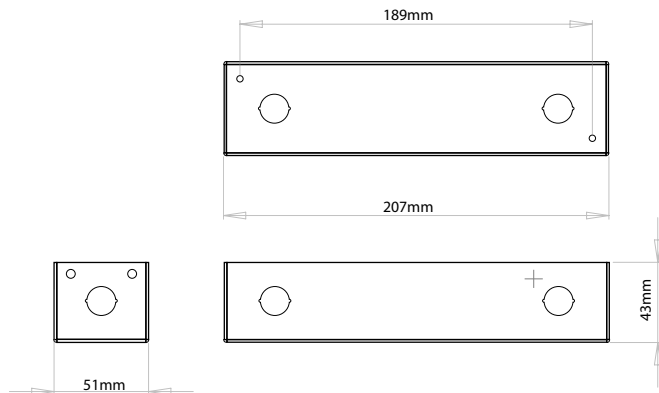


REMOTE ENCLOSURES - UL LISTED

| FORM FACTOR | DIMENSIONS |
|-----------------|-----------------------|
| G1 (damp rated) | 207 x 51 x 43mm |
| G4 (wet rated) | 238 (202) x 66 x 48mm |



G1



G4

