

# LDS180W12VUD3CH-4002R1

## 3 Channel Constant Voltage

### UNIDRIVER<sup>®</sup>



Efficiency	86%
Power Factor	>0.9
Case TC	90°C Max.
Protection	Input / Output
Storage	-30°C / +90°C
Humidity	95% RH Max.
IP Rating	IP67
Class	Class 2 Power Supply
Dimming	ELV, TRIAC, 0-10V
Output Voltage or Constant Current	12V (3 channel)

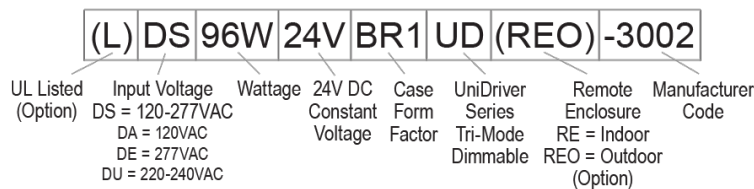


- 3 channel class 2 output
- Universal Input 120V-277V AC 50/60Hz
- True Tri Mode Dimming 0-10V, ELV & Triac across full range of input voltage
- Smooth, flicker free dimming 100%-0.1%
- Title 24 Compliant, AAA rating
- Isolated output power per NEC and UL safety requirements

### FEATURES

- UL listed & class P, meets UL 8750, 1310 requirements
- Auto-reset; short circuit, overload and thermal protection
- Durable high performance for residential and commercial architectural lighting
- Efficient, high power factor > 0.90

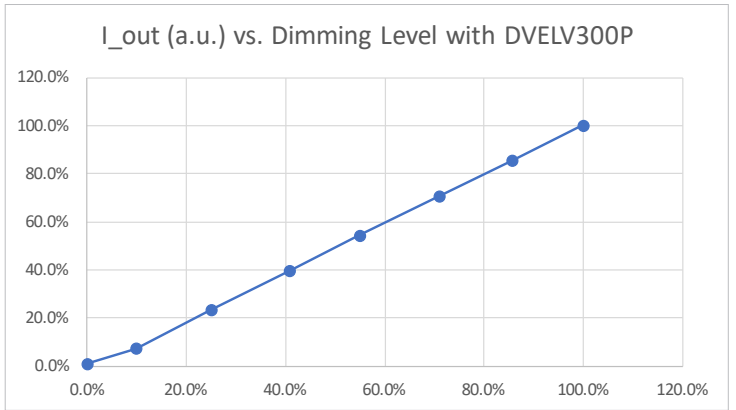
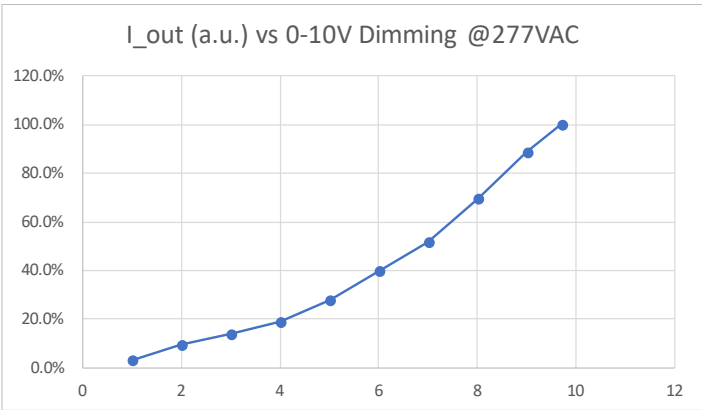
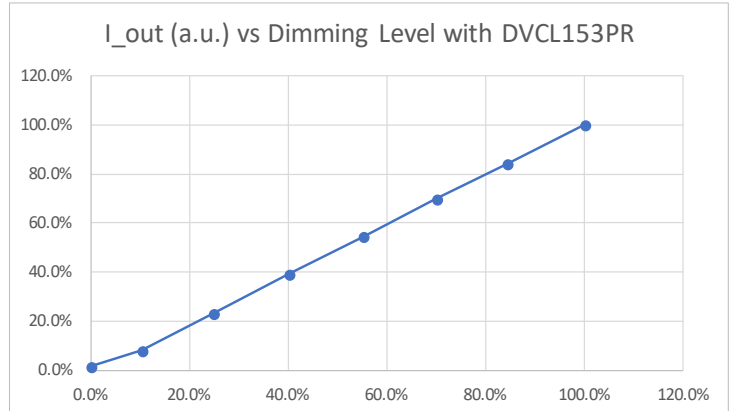
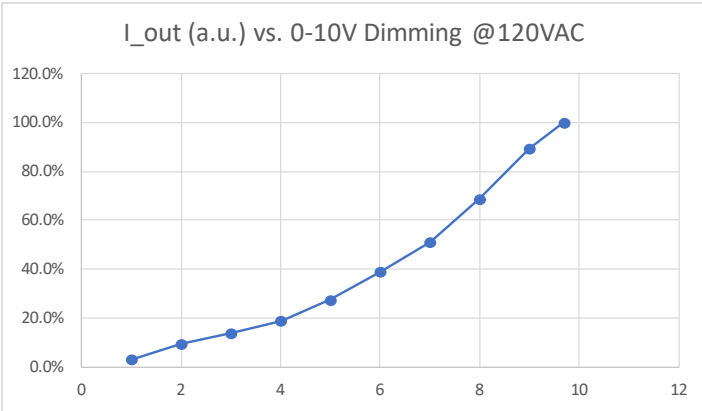
### MODEL KEY



### MODEL SPECIFICATIONS

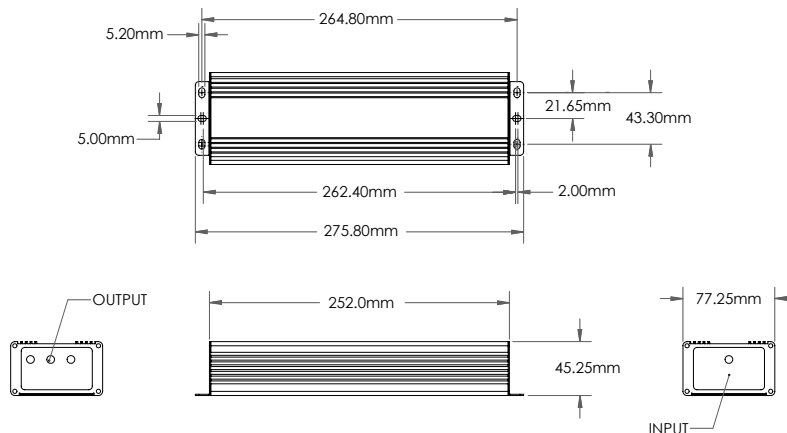
Constant Voltage					
Model Number	Input Voltage	Wattage	Output Voltage	Output Current	Available Form Factor
LDS180W12VUD3CH-4002R1	120V - 277V AC 2.2A, 50/60Hz	180W (3 channel)	12V DC (3X)	12V DC LED 15A Max. Per Channel	BR5

### DIMMING CURVES



### MECHANICAL SPECS

FORM FACTOR	DIMENSIONS
BR4	275.80 (264.80) x 77.25 x 45.25mm



**REMOTE ENCLOSURE**

FORM FACTOR	DIMENSIONS
G6	424 x 248 x 58 mm

LID NOT SHOWN

