

# DS15W 120-277V SERIES

## Constant Current / Constant Voltage



|                                    |                        |
|------------------------------------|------------------------|
| Efficiency                         | >85%                   |
| Power Factor                       | >0.95                  |
| Case TC                            | 90°C Max.              |
| Protection                         | Input / Output         |
| Storage                            | -30°C / +90°C          |
| Humidity                           | 95% RH Max.            |
| IP Rating                          | IP67                   |
| Class                              | Class 2 Power Supply   |
| Dimming                            | Phase or 0-10V         |
| Output Current or Constant Voltage | 300mA -350mA or 48V DC |



- Universal Input 120 - 277V AC 50/60Hz
- Exceeds Title 24 requirements
- Isolated output power per NEC and UL safety requirements
- UL & ETL recognized/listed, meets UL 8750, 1310 requirements
- Auto-reset; short circuit, overload and thermal

### FEATURES

- protection
- Class 2 power supply
- Efficient, High power factor >0.95
- Aluminum case with high W/m.K encapsulating material
- Low profile, small form factor

### MODEL KEY

Model Number Key - Constant Current

|                    |                                                                       |         |                         |                                 |                  |                                    |                                                     |                   |
|--------------------|-----------------------------------------------------------------------|---------|-------------------------|---------------------------------|------------------|------------------------------------|-----------------------------------------------------|-------------------|
| (L)                | DS                                                                    | 96W     | 2800C                   | 1834                            | BR1              | UD                                 | (REO)                                               | -3002             |
| UL Listed (Option) | Input Voltage DS = 120-277VAC DA = 120VAC DE = 277VAC DU = 220-240VAC | Wattage | 2800mA Constant Current | 18V-34V DC Output Voltage Range | Case Form Factor | UniDriver Series Tri-Mode Dimmable | Remote Enclosure RE = Indoor REO = Outdoor (Option) | Manufacturer Code |

Model Number Key - Constant Voltage

|                    |                                                                       |         |                         |                  |                                    |                                                     |                   |
|--------------------|-----------------------------------------------------------------------|---------|-------------------------|------------------|------------------------------------|-----------------------------------------------------|-------------------|
| (L)                | DS                                                                    | 96W     | 24V                     | BR1              | UD                                 | (REO)                                               | -3002             |
| UL Listed (Option) | Input Voltage DS = 120-277VAC DA = 120VAC DE = 277VAC DU = 220-240VAC | Wattage | 24V DC Constant Voltage | Case Form Factor | UniDriver Series Tri-Mode Dimmable | Remote Enclosure RE = Indoor REO = Outdoor (Option) | Manufacturer Code |

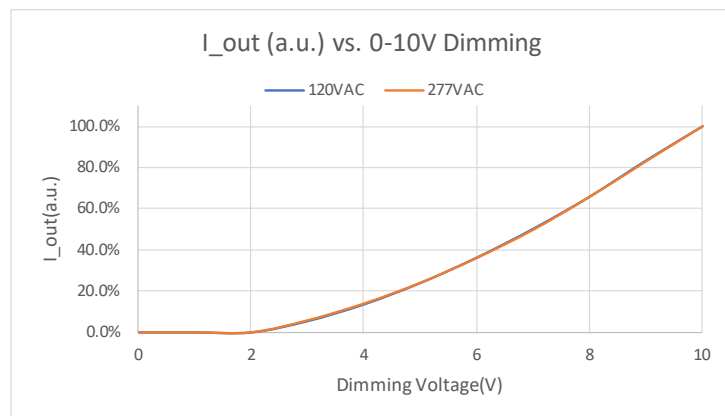
### MODEL SPECIFICATIONS

| CONSTANT CURRENT       |                        |         |                |                |                       |         |
|------------------------|------------------------|---------|----------------|----------------|-----------------------|---------|
| Model Number           | Input Voltage          | Wattage | Output Voltage | Output Current | Available Form Factor | Dimming |
| DS15W300C2850D010-3001 | 120-277V AC<br>50/60Hz | 15W     | 28V - 50V DC   | 300mA          | T11                   | 0-10V   |
| DS15W350C1542D010-3001 |                        | 15W     | 15V - 42V DC   | 350mA          | T11                   | 0-10V   |

**CONSTANT VOLTAGE**

| Model Number      | Input Voltage          | Wattage | Output Voltage | Output Current | Dimming        | Available Form Factor |
|-------------------|------------------------|---------|----------------|----------------|----------------|-----------------------|
| DS15W48VND-3001   | 120-277V AC<br>50/60Hz | 15W     | 48V DC         | 320mA          | Non Dimmable   | T11                   |
| DS15W48VD010-3001 |                        | 15W     | 48V DC         | 320mA          | 0-10V Dimmable | T11                   |
| DS15W48V-3001     |                        | 15W     | 48V DC         | 320mA          | Triac Dimmable | T11                   |

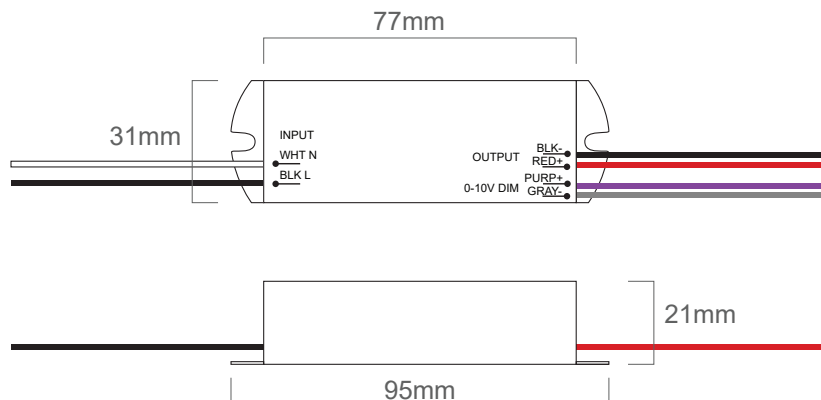
**DIMMING CURVES**



**MECHANICAL SPECS**

| FORM FACTOR | DIMENSIONS          |
|-------------|---------------------|
| T11         | 95 (77) x 31 x 21mm |

**T11**



**REMOTE ENCLOSURE OPTIONS**

| MODEL              | FORM FACTOR     | DIMENSIONS      |
|--------------------|-----------------|-----------------|
| DS15W48VNDRE-0020  | G1 (Damp Rated) | 207 x 51 x 43mm |
| DS15W48VNDREO-0020 | G4 (Wet Rated)  | 238 x 66 x 48mm |

**G1**

**G4**

