

DS16W 120-277V SERIES
Constant Current or Constant Voltage

UNIDRIVER[®]



Efficiency	>85%
Power Factor	>0.95
Case TC	90°C Max.
Protection	Input / Output
Storage	-30°C / +90°C
Humidity	95% RH Max.
IP Rating	IP67
Class	Class 2 Power Supply
Dimming	ELV, TRIAC, 0-10V
Output Voltage or Constant Current	400mA or 24V



- Universal Input 120 - 277V AC 50/60Hz
- True Tri Mode Dimming at all input voltages Triac, ELV & 0-10V
- Smooth, flicker free dimming 100%~0.1%
- Class 2 power supply
- Isolated output power per NEC and UL safety requirements

FEATURES

- UL & ETL recognized/listed, meets UL 8750, 1310 requirements
- Auto-reset; short circuit, overload and thermal protection
- Low profile, small form factor, junction box mountable
- Efficient, High power factor >0.95

MODEL KEY

Model Number Key - Constant Current

(L)	DS 96W	2800C	1834	BR1	UD	(REO)	-3002
UL Listed (Option)	Input Voltage DS = 120-277VAC DA = 120VAC DE = 277VAC DU = 220-240VAC	Wattage Constant Current	2800mA Output Voltage Range	18V-34V DC Case Form Factor	UniDriver Series Tri-Mode Dimmable	Remote Enclosure RE = Indoor REO = Outdoor (Option)	Manufacturer Code

Model Number Key - Constant Voltage

(L)	DS 96W	24V	BR1	UD	(REO)	-3002
UL Listed (Option)	Input Voltage DS = 120-277VAC DA = 120VAC DE = 277VAC DU = 220-240VAC	Wattage Constant Voltage	24V DC Case Form Factor	UniDriver Series Tri-Mode Dimmable	Remote Enclosure RE = Indoor REO = Outdoor (Option)	Manufacturer Code

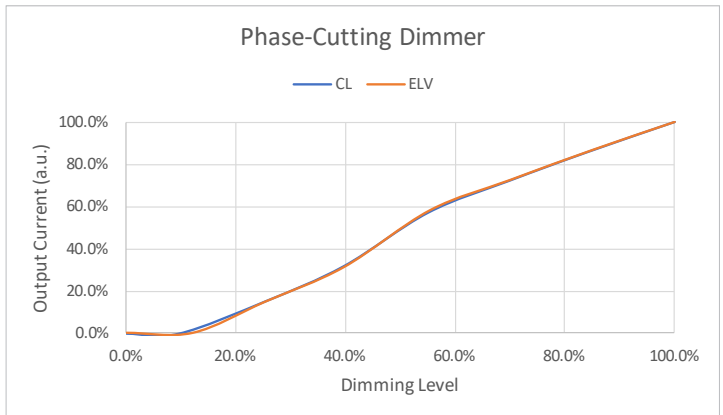
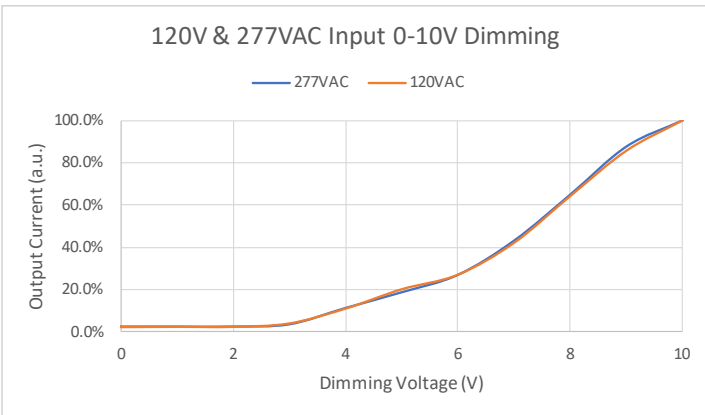
MODEL SPECIFICATIONS

CONSTANT CURRENT					
Model Number	Input Voltage	Wattage	Output Voltage	Output Current	Available Form Factor
DS16W400C2040R3UD	120V - 277V 50/60Hz	16W	20V - 40V DC	400mA	D3

CONSTANT VOLTAGE

Model Number	Input Voltage	Wattage	Output Voltage	Output Current	Available Form Factor
DS16W24VUD	120-277V 50/60Hz	16W	24V DC	650mA	MB2, D3

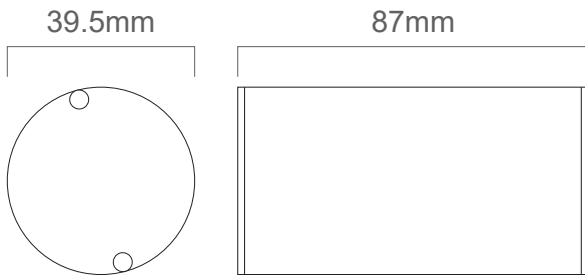
DIMMING CURVES



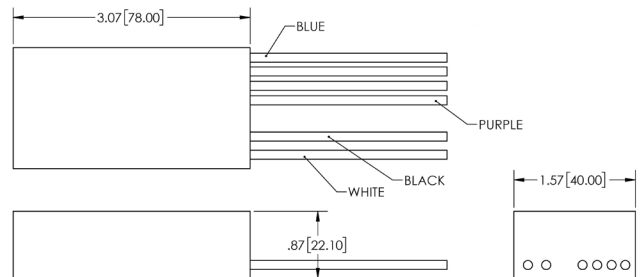
MECHANICAL SPECS

FORM FACTOR	DIMENSIONS
D3	87mm (39.5)
MB2	78 x 40 x 22.10mm

D3



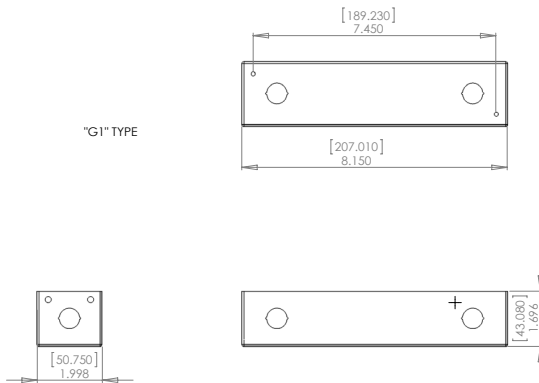
MB2



REMOTE ENCLOSURE OPTIONS

MODEL	FORM FACTOR	DIMENSIONS
LDS16WXXXRE	G1	207 x 50.8 x 43.1mm
LDS16WXXXREO	G4	238 (202) x 66 x 48mm

G1



G4

