

DS15W 120-277V SERIES
Constant Current / Constant Voltage



Efficiency	>85%
Power Factor	>0.95
Case TC	90°C Max.
Protection	Input / Output
Storage	-30°C / +90°C
Humidity	95% RH Max.
IP Rating	IP67
Class	Class 2 Power Supply
Dimming	Phase or 0-10V (Optional)
Output Voltage or Constant Current	300mA or 48V DC

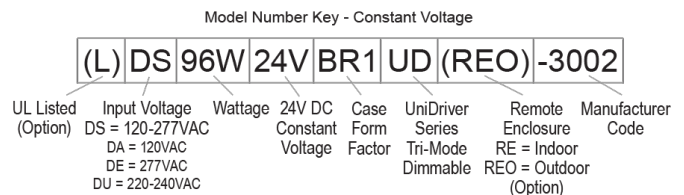
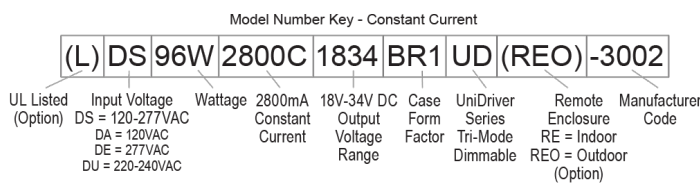


- Universal Input 120 - 277V AC 50/60Hz
- Exceeds Title 24 requirements
- Isolated output power per NEC and UL safety requirements
- UL & ETL recognized/listed, meets UL 8750, 1310 requirements
- Auto-reset; short circuit, overload and thermal protection

FEATURES

- Class 2 power supply
- Efficient, High power factor >0.95
- Aluminum case with high W/m.K encapsulating material
- Low profile, small form factor

MODEL KEY



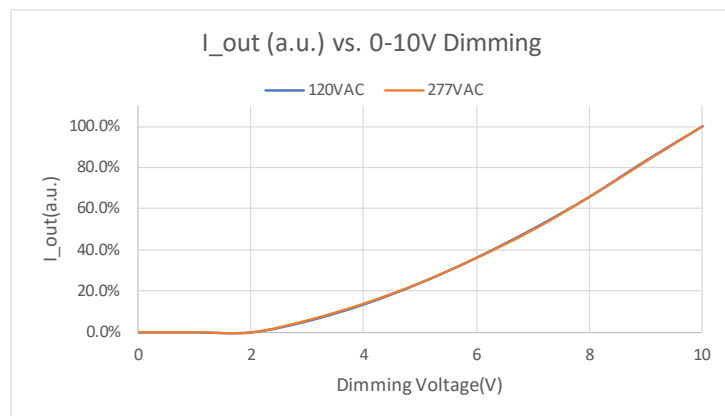
MODEL SPECIFICATIONS

CONSTANT CURRENT						
Model Number	Input Voltage	Wattage	Output Voltage	Output Current	Available Form Factor	
DS15W300C2850D010-3001	120-277V AC 50/60Hz	15W	28V - 50V DC	300mA	T11	

CONSTANT VOLTAGE

Model Number	Input Voltage	Wattage	Output Voltage	Output Current	Dimming	Available Form Factor
DS15W48VND-3001	120-277V AC 50/60Hz	15W	48V DC	320mA	Non Dimmable	T11
DS15W48VD010-3001		15W	48V DC	320mA	0-10V Dimmable	T11
DS15W48V-3001		15W	48V DC	320mA	Triac Dimmable	T11

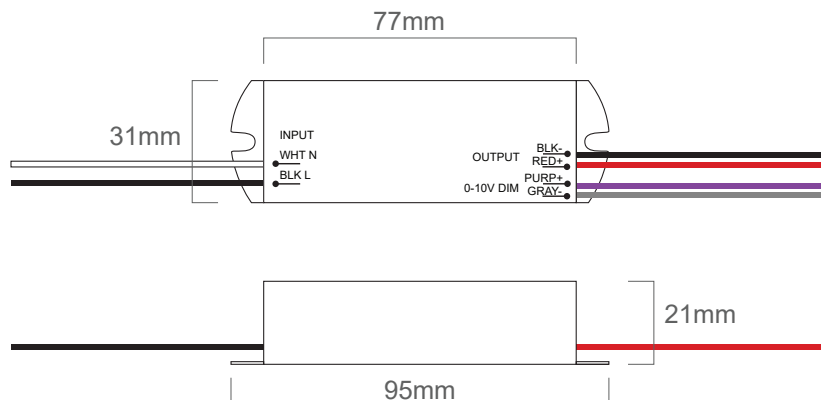
DIMMING CURVES



MECHANICAL SPECS

FORM FACTOR	DIMENSIONS
T11	95 (77) x 31 x 21mm

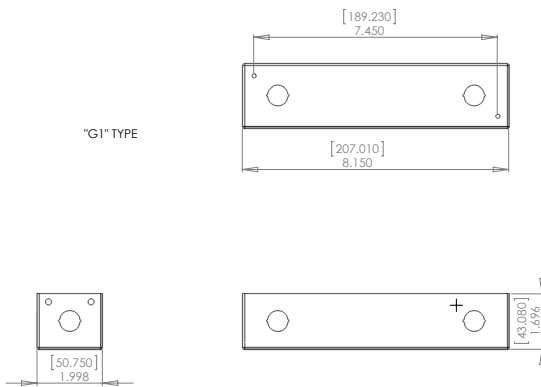
T11



REMOTE ENCLOSURE OPTIONS

MODEL	FORM FACTOR	DIMENSIONS
DS15W48VNDRE-0020	G1 (Damp Rated)	207 x 51 x 43mm
DS15W48VNDREO-0020	G4 (Wet Rated)	238 x 66 x 48mm

G1



G4

