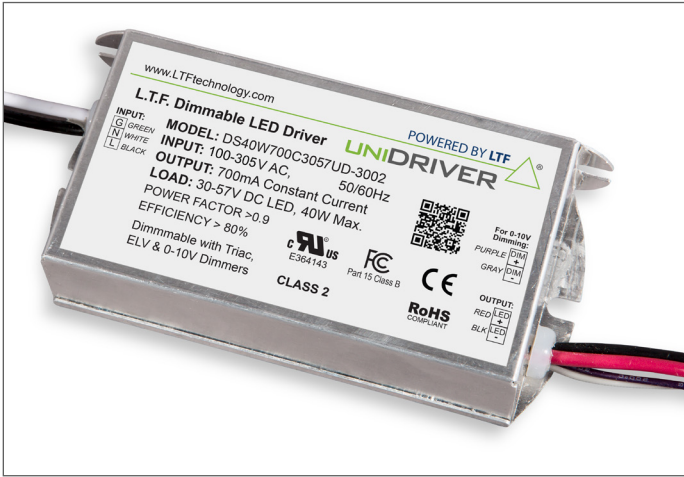


DS40W-3002 Series

40W 100-305V Constant current-Constant voltage

UNIDRIVER



Efficiency	>85%
Power Factor	>95%
Case TC	90°C Max.
Protection	Input / Output
Storage	-30°C / +90°C
Humidity	95% RH Max.
IP Rating	IP67
Class	Class 2 Power Supply
Dimming	Triac / ELV / 0-10V
Constant Voltage or Constant Current	12V - 48V or 700 - 2100 mA



- All-In-One dimming; Triac, ELV, and 0-10V dimming
- Universal input voltage; 100-305V AC
- Isolated output power per NEC and UL safety requirements
- UL recognized/Listed, UL8750, UL1310
- Auto-reset; Short circuit, overload and thermal protection
- Superior thermal performance
- Aluminum case with high W/m.K encapsulating material

FEATURES

- Low profile, small form factor, junction box mountable
- <30% flicker with excellent dimming range
- Class 2 power supply and other than Class 2 options
- Efficient, high power factor, low THD, FCC Class B

ELECTRICAL SPECIFICATIONS

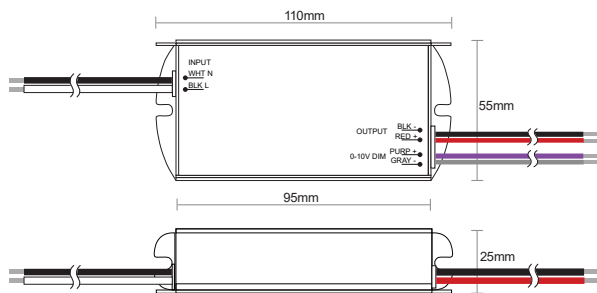
Constant Current				
Model Number	Input Voltage	Output Voltage	Output Current	Available Form Factor
DS40W700C3057UD-3002	100-305V AC 50/60 Hz >0.90 PF <20% THD	30V - 57VDC	700 mA	SM2, LI2, G6, G3
DS40W750C3054UD-3002		30V - 54VDC	750 mA	SM2, LI2, G6, G3
DS40W900C2542UD-3002		25V - 45VDC	900 mA	SM2, LI2, G6, G3
DS40W1000C2540UD-3002		25V - 40VDC	1000 mA	SM2, LI2, G6, G3
DS40W1100C2536UD-3002		25V - 36VDC	1100 mA	SM2, LI2, G6, G3
DS40W1200C1534UD-3002		15V - 34VDC	1200 mA	SM2, LI2, G6, G3
DS40W1400C2028UD-3002		20V - 28VDC	1400 mA	SM2, LI2, G6, G3
DS40W2100C1219UD-3002		12V - 19VDC	2100 mA	SM2, LI2, G6, G3

Constant Voltage				
Model Number	Input Voltage	Output Voltage	Output Current	Available Form Factor
DS40W12VUD-3002	100 - 305V AC 50/60 Hz > 0.90 PF < 20% THD	12VDC	3330mA	SM2, LI2 G6, G3
DS40W24VUD-3002		24VDC	1660mA	SM2, LI2, G6, G3

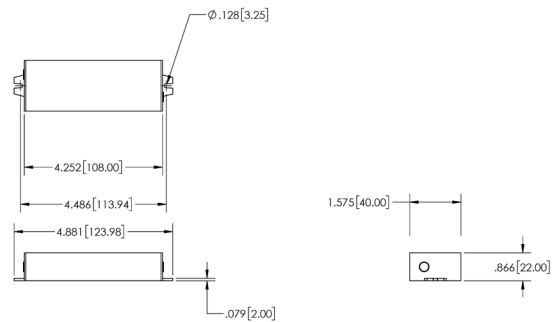
MECHANICAL SPECIFICATIONS

FORM FACTORS	DIMENSIONS
SM2	110 x 55 x 24mm
LI2	148 x 40 x 22mm

SM2

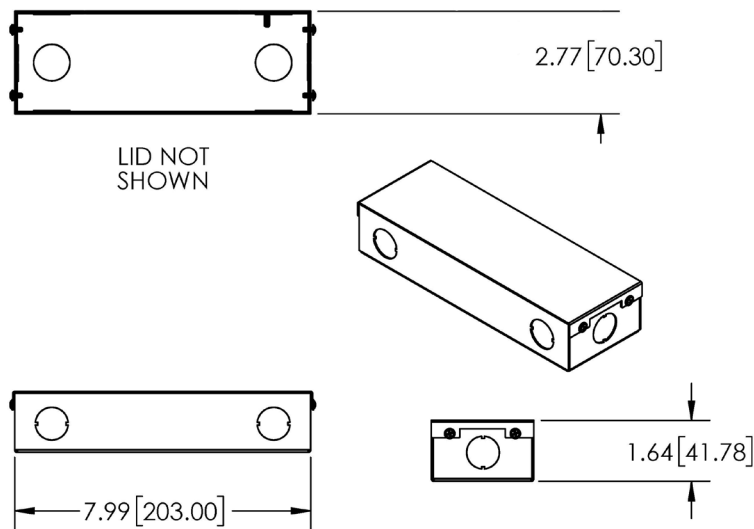


LI2



REMOTE ENCLOSURE OPTIONS	
Model Number	Remote Enclosure
LDS40WXXXXRE	G5
LDS40WXXXXREO	G3

G5



G3

