

**LDS192W-4002R1 120-277V**  
2 Channel - Constant Voltage

**UNIDRIVER**<sup>®</sup>



Efficiency	>87%
Power Factor	>0.96
Case TC	90°C Max.
Protection	Input / Output
Storage	-30°C / +90°C
Humidity	95% RH Max.
IP Rating	IP 67
Class	Class 2 Power Supply
Dimming	ELV, TRIAC, 0-10V
Output Voltage or Constant Current	24V DC

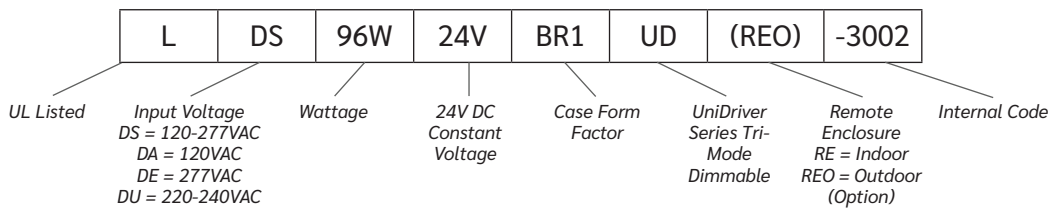


- 2 channel class 2 output
- Universal Input 120V-277V AC 50/60Hz
- True Tri Mode Dimming 0-10V, ELV & Triac across full range of input voltage.
- Smooth, flicker free dimming 100%-0.1%
- Title 24 Compliant, AAA rating
- Isolated output power per NEC and UL safety requirements

**FEATURES**

- UL listed & class P, meets UL 8750, 1310 requirements
- Auto-reset; short circuit, overload and thermal protection
- Durable high performance for residential and commercial architectural lighting
- Efficient, high power factor > 0.96

**MODEL NUMBER KEY (Constant Voltage)**



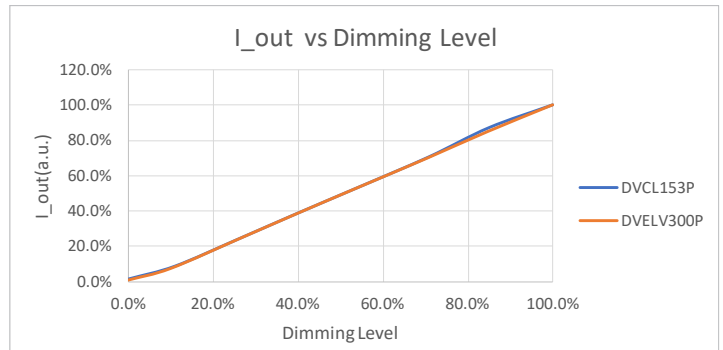
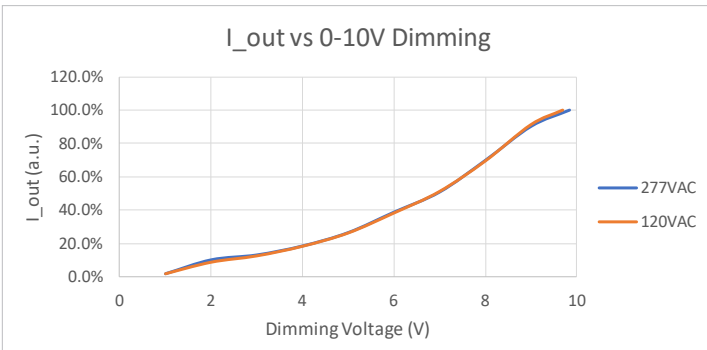
**MODEL SPECIFICATIONS**

Constant Voltage				
Model Number	Input Voltage	Output Voltage	Output Current	Available Form Factor
LDS192W24VUD2CH-4002R1	120V - 277V AC, 2.13A, 50/60Hz	24V DC (2X)	24V DC LED, Per Channel 4.165A Max.	BR3

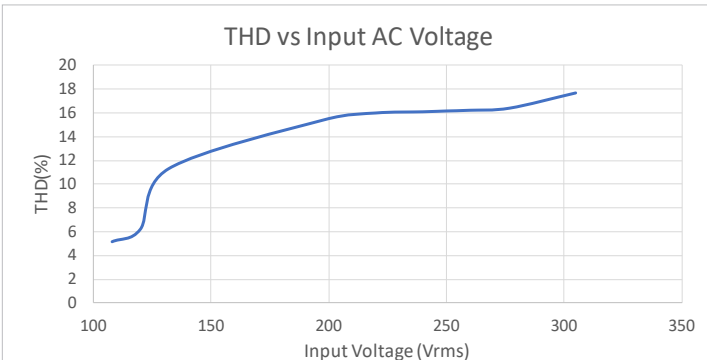
This device complies with Part 15 of the FCC Rules. Operation is subject to the following two conditions: (1) this device may not cause harmful interference, and (2) this device must accept any interference received, including interference that may cause undesired operation.

Constant Voltage with Remote Enclosure					
Model Number	Input Voltage	Wattage	Output Voltage	Output Current	Available Form Factor
LDS192W24VUD2CHREO-4002R1	120V - 277V AC, 2.13A, 50/60Hz	192W	24V DC (2X)	24V DC LED, Per Channel 4.165A Max.	G6

### DIMMING CURVES



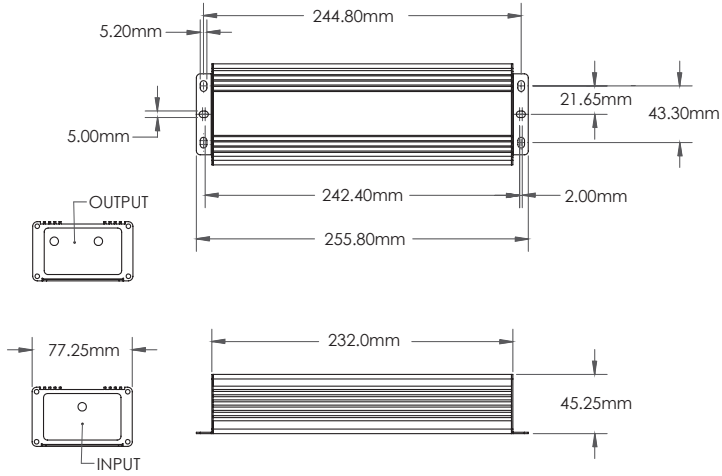
\* All dimming curves tested on model DS192W24VUD2CH-4002



### MECHANICAL SPECIFICATIONS

Available Form Factors	Dimensions
BR3	256 (232) x 77 x 45 mm
G6	424 x 248 x 58 mm

**BR3**



**G6**

