



L.T.F. Low Voltage Dimmable Power Supply

TA150W*24LEDB15 No-Load Electronic Transformer



Efficiency	higher than 85%
Power Factor	>95%
Case TC	90°C Max.
Protection	Input/Output
Storage	-30°C/+90°C
Class	Class 2 Power Supply
Dimming	ELV Dimmable
Dimming Option	0-10V Dimming



RoHS



* Ask for more information

FEATURES

- No load technology, works with both Halogen & LED AC loads **
- Isolated output power per NEC and UL safety requirements
- UL recognized/listed Class 2 power supply, meets UL 2108 requirements
- Auto-reset; Short circuit, Overload and Thermal protection
- Soft start
- Dimmable
- Low profile, small compact design to fit in most enclosures

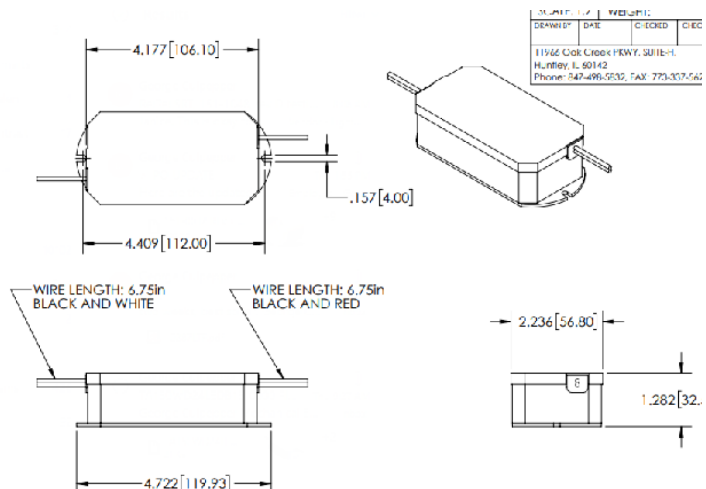
ELECTRICAL SPECIFICATIONS

Model #	Wattage	Input Voltage	Output Voltage	Load Type	Dimming
TA150WD24LEDB15	150W	120V AC, 1.25A 50/60Hz	24V DC	LED Strips, LED Bulbs, Incandescent & Halogen Bulbs	ELV, Optional 0-10V
TA150WA24LEDB15	150W	120V AC, 1.25A 50/60Hz	24V AC	LED Bulbs, Incandescent & Halogen Bulbs	ELV

MECHANICAL SPECIFICATIONS

Available Form Factors	Dimensions
Standard	112 x 56.80 x 32mm

Standard

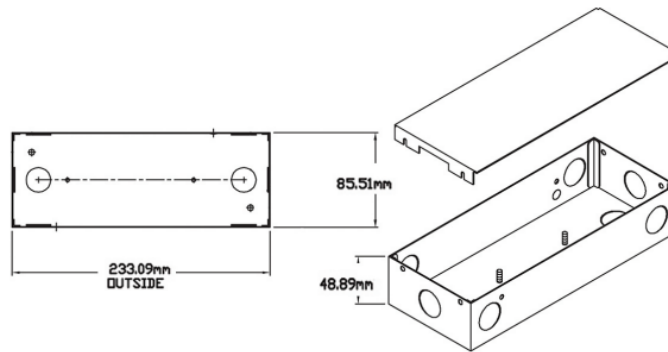




TA150WA24LEDB15 Series Remote Enclosures - UL Listed

Model	Enclosure Type	Enclosure Dimensions
TA150WD24LEDB15RE	G2 (Damp Rated)	233x85.5x49mm
TA150WA24LEDB15REO	G3 (Wet Rated)	280x103x56mm

G2 - REMOTE (RE) INDOOR ENCLOSURE - UL LISTED



G3 - REMOTE (REO) OUTDOOR ENCLOSURE - UL LISTED

