

UniDriver Series Dimmable LED Driver

LDS300W 3 Channel UniDriver Series

UNIDRIVER®



Efficiency	> 80%
Power Factor	> 0.9
Case TC	90°C Max.
Protection	Input / Output
Storage	-30°C / +90°C
Humidity	95% RH Max.
IP Rating	IP 67
Class	Class 2 Power Supply
Dimming	0-10V, TRIAC, ELV



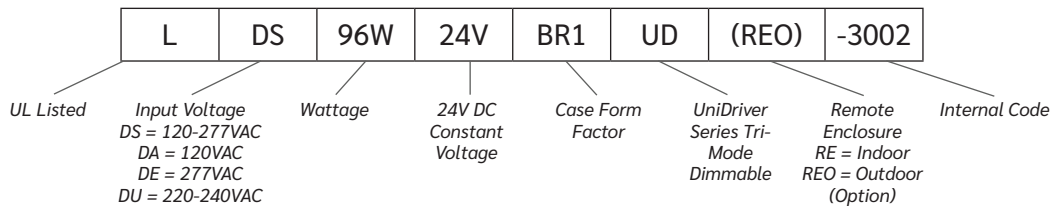
RoHS



Features:

- 3 channel class 2 output
- Universal Input 120V-277V AC 50/60Hz
- True Tri Mode Dimming 0-10V, ELV & Triac across full range of input voltage.
- Smooth, flicker free dimming 100%-0.1%
- Title 24 Compliant, AAA rating
- Isolated output power per NEC and UL safety requirements
- UL listed & class P, meets UL 8750, 1310 requirements
- Auto-reset; short circuit, overload and thermal protection
- Durable high performance for residential and commercial architectural lighting
- Efficient, high power factor > 0.90

MODEL NUMBER KEY (Constant Voltage)



This device complies with Part 15 of the FCC Rules. Operation is subject to the following two conditions: (1) this device may not cause harmful interference, and (2) this device must accept any interference received, including interference that may cause undesired operation.

General Specifications

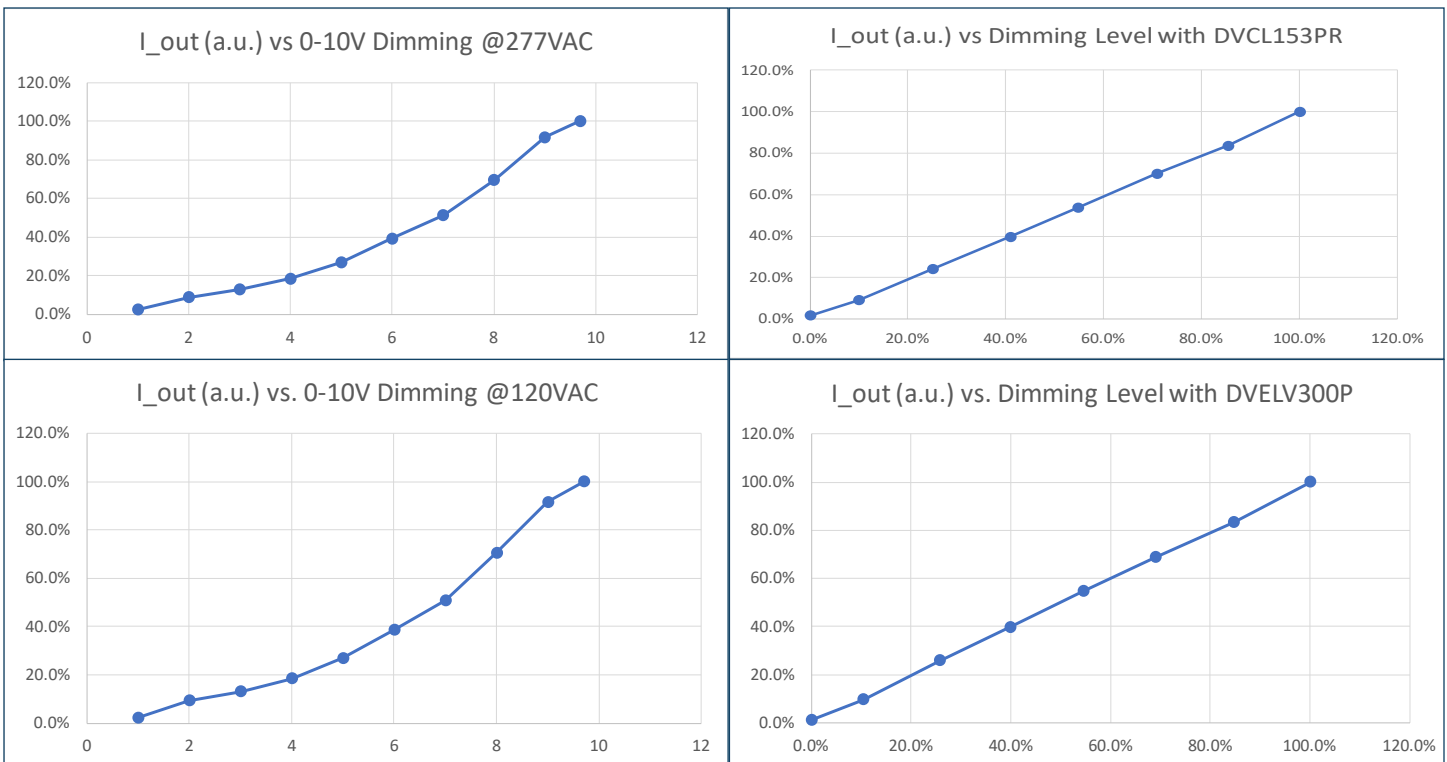
Constant Voltage

Model #	Input Voltage	Wattage	Output Voltage	Load	Form Factor
LDS300W24VUD3CH-4002R1	120-277V AC, 3.13A, 50/60Hz	288W (3 CH)	24V DC (3X)	24V DC LED, 12.5A Max. Per Channel	BR5

Constant Voltage with Remote Enclosure

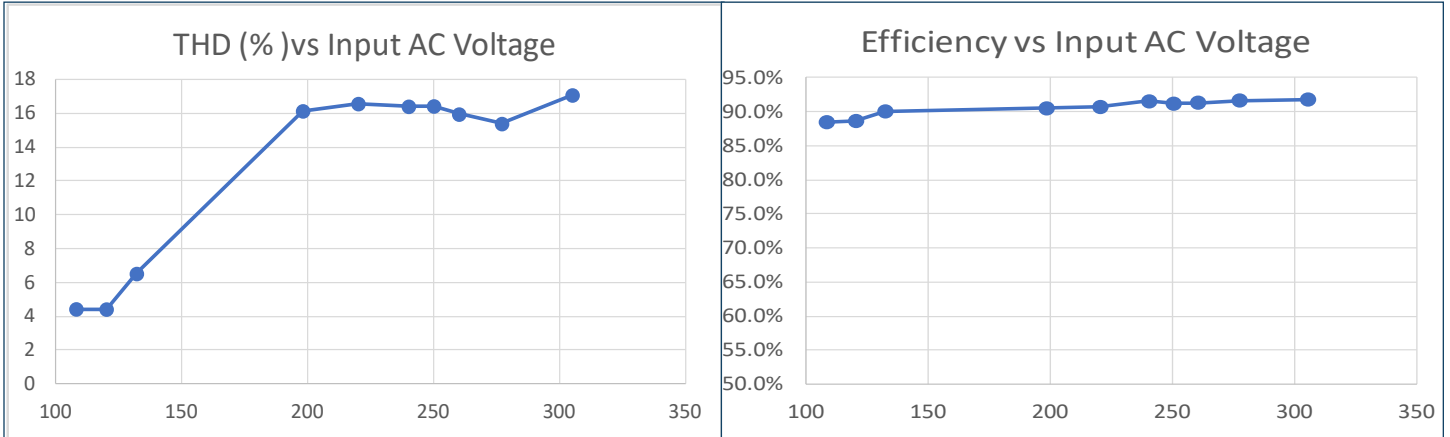
Model #	Input Voltage	Wattage	Output Voltage	Load	Form Factor
LDS300W24VUD3CHREO-4002R1	120-277V AC, 3.13A, 50/60Hz	288W (3 CH)	24V DC (3X)	24V DC LED, 12.5A Max. Per Channel	G6

Electrical Characteristics



*Dimming tests based off Model : DS300W24VBR4-4002

Dimming Characteristics

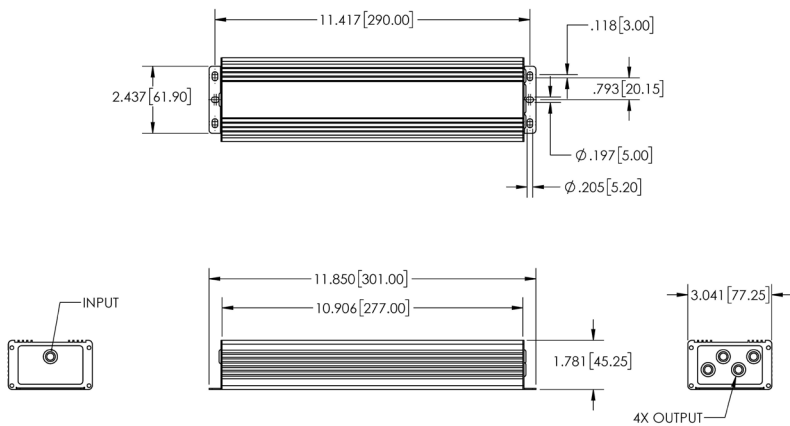


*Dimming tests based off Model : DS300W24VBR4-4002

Mechanical Specifications

Available Form Factors	Dimensions
BR5	301 (277) x 77.4 x 45.25 mm
G6	424 x 248 x 58 mm

BR5



G6

