



LiteStream M - MTA300WD1215BT4REO

LTF's **LiteStream M** brings IoT and home automation to your back yard with wireless multi-zone control for low voltage landscape lighting with up to four zones that can be controlled independently or as one.

Features

- 4 Channel Wireless Bluetooth Zone Control.
- Wireless Dimming & CCT Tuning: PWM (~7.5kHz).
- Scheduling & programing independantly or together.
- High Quality Toroidal Transformer Core.
- WiFi Control with Optional Bluetooth Gateway.
- Durable Stainless Steel Case.

*25 year warranty, Ask for details**

Input	120V AC 5A, 50/60Hz
Output	12V - 15V DC
Wattage	300W, 75W Per Channel
Wireless Standard	Bluetooth
Dimming & CCT Tuning	Wireless PWM (~7.5kHz)
Protection	Input / Output
Storage	-30°C / +85°C
Humidity	95% RH Max.
Ambient Temp.	IP67



Applications

- IoT connected Landscape Lighting.
- Architectural & Commercial Landscape Lighting.
- Residential Landscape Lighting.
- New and Retrofit Installations.
- Indoor & Outdoor Applications.

*Unit must be mounted at least 1 foot above ground level**

Electrical Specifications LiteStream M, Wireless Magnetic Transformer

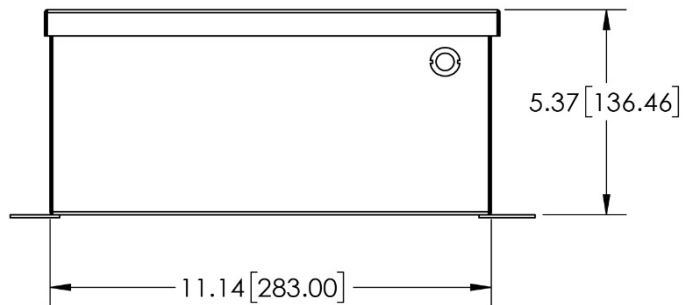
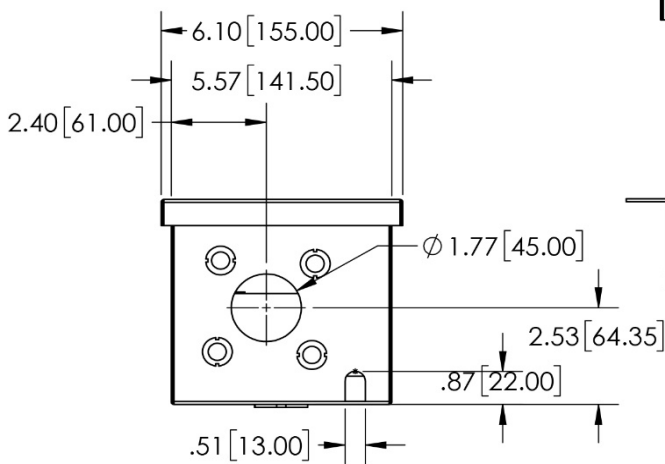
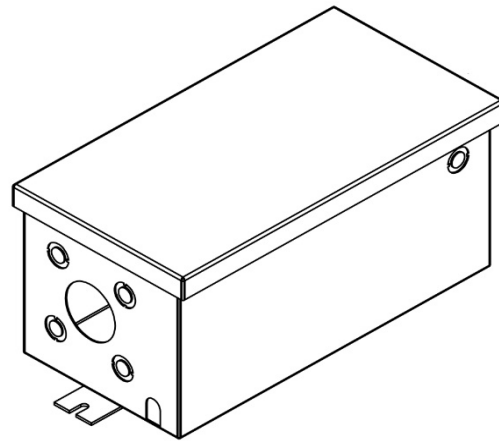
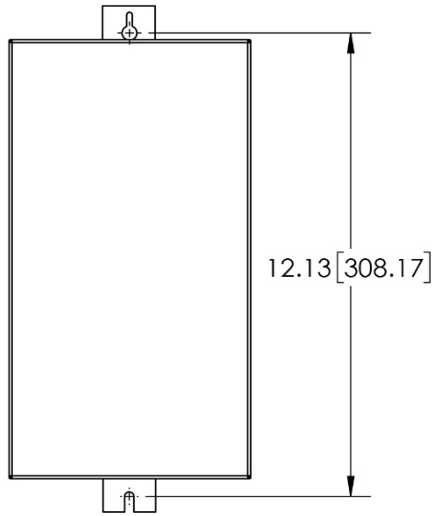
LiteStream M						
Model Number	Wattage	Input V	Output C	Multi-Tap Output V	Load	Finishes
MTA300WD1215BT4REO	300W, 75W Per Channel	120V AC 5A, 50/60Hz	25A	12V - 15V DC (~7.5kHz PWM)	12V - 15V DC LED Tape & Lamps	Stainless Steel
MTA300WD1215ZBT4REO Zigbee Compatible*						
Request for Custom Finishes						

This device complies with Part 15 of the FCC Rules. Operation is subject to the following two conditions:

- (1) this device may not cause harmful interference.*
- (2) this device must accept any interference received, including interference that may cause undesired operation.*

Mechanical Specifications LiteStream M, Wireless Magnetic Transformer

In-Line Dimmer	
Size (mm)	308 X 155 X 136.5mm
Weight	185.5g



LiteStream Mobile App For LiteStream Devices



Mobile App Features

- Google Home, Amazon Alexa, and IFTTT Compatible.
- Multi zone and group creation for combined lighting control.
- CCT tunable (CCT range depends on LED specifications).
- Smooth flicker-free dimming from 100% to 1%.
- Control all IoT / Smart Home connected devices.
- Device sharing. Connect up to 1000 devices.
- Cloud connected (with Bluetooth gateway), control from anywhere in the world with an internet connection
- ON/OFF, dim, CCT change, effects, send notification
- Scheduling / Automation: Trigger based on temperature, humidity, weather, sunset / sunrise, or specific time & day.



Download the Free Lite Stream Mobile App

for iOS from Apple App Store and for Android OS from Google Play Store

