



L.T.F

All-In-One Dimmable LED UNIdriver - CLASS 2

25W DS25W UniDriver 100-305V Series Constant Current



Efficiency	higher than 85%
Power Factor	>95%
Case TC	90°C Max.
Protection	Input / Output
Storage	-30°C / +90°C
Humidity	95% RH Max.
IP Rating	IP 67
Class	Class 2 Power Supply
Dimming	Triac/ELV/0-10V
Output Voltage	440mA-2100mA



RoHS



FCC Part 15
Class B compliant



FEATURES

- All-In-One dimming capabilities; Triac, ELV, and 0-10V dimming
- Universal input voltage; 100-305V AC
- Isolated output power per NEC and UL safety requirements
- UL recognized/ Listed, UL8750, UL1310
- Auto-reset ; Short circuit, Overload and Thermal protection
- Superior thermal performance
- Aluminum case with high W/m.K encapsulating material
- Low profile, small form factor, junction box mountable
- < 30% flicker with excellent dimming range
- Class 2 power supply and other than Class 2 options
- Efficient, high power factor, low THD, FCC Class B

ELECTRICAL SPECIFICATIONS

Constant Current				
Model #	Input	Output Voltage	Output Current	Available Form Factors
DS25W440C3056UD	100-305V AC 50/60Hz > 0.90 PF < 20% THD	30V-56VDC	440mA	F3, BF, BF1, SM1, LI2
DS25W700C1535UD		15V-35VDC	700mA	F3, BF, BF1, SM1, LI2
DS25W750C1533UD		15-33V DC	750mA	F3, BF, BF1, SM1, LI2
DS25W900C1528UD		15-28V DC	900mA	F3, BF, BF1, SM1, LI2
DS25W1050C1524UD		15V-24VDC	1050mA	F3, BF, BF1, SM1, LI2
DS25W1100C1522UD		15V-22VDC	1100mA	F3, BF, BF1, SM1, LI2
DS25W1400C1218UD		12V-18VDC	1400mA	F3, BF, BF1, SM1, LI2
DS25W2100C912UD		9V-12VDC	2100mA	F3, BF, BF1, SM1, LI2

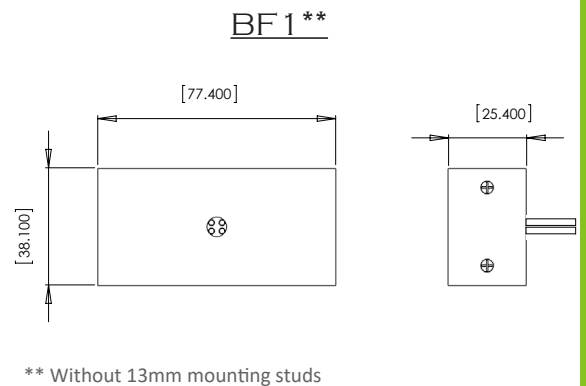
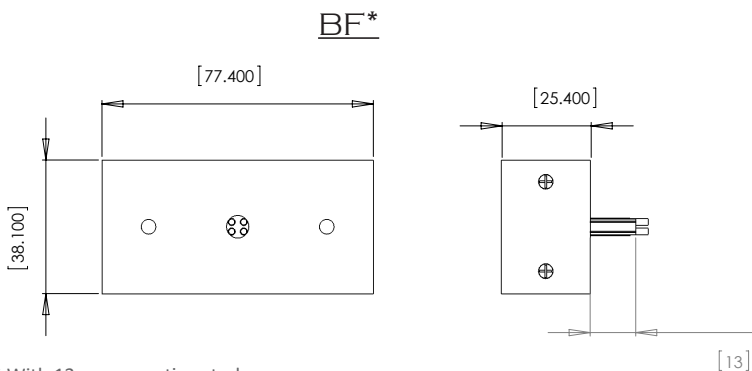
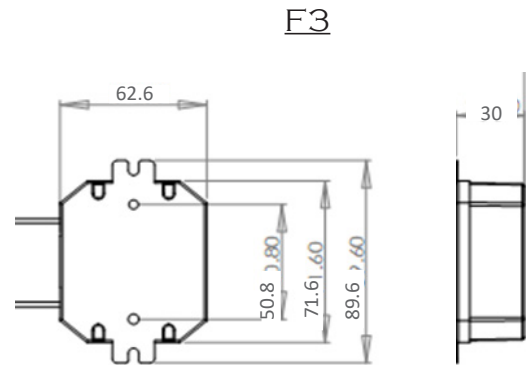
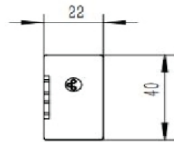
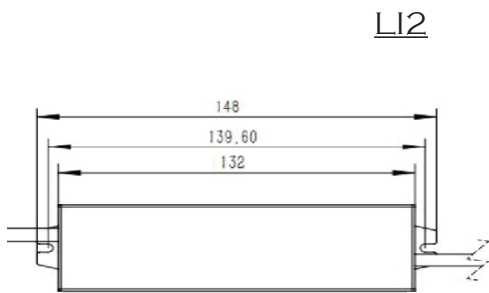
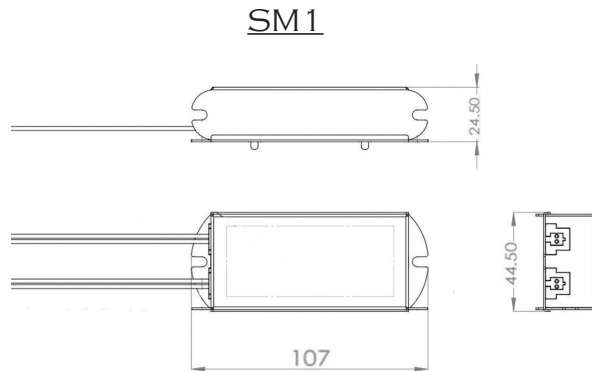
Constant Voltage				
Model #	Input	Output Voltage	Output Current	Available Form Factors
DS25W12VULD	100-305V AC 50/60Hz > 0.90 PF < 20% THD	12VDC	2100mA	F3, BF, BF1, SM1, LI2
DS2524VULD		24VDC	1100mA	F3, BF, BF1, SM1, LI2



Remote Enclosure Option	
Model #	Remote Enclosure
LDS25WXXXXRE	G1
LDS25WXXXXREO	G4

MECHANICAL SPECS.

Available Form Factors	Dimensions
"SM1"	107x24.5x44.5mm
"LI2"	132x40x22mm
"BF"	77.4x39x25mm
"BF1"	77.4x39x25mm
"F3"	71.6x62.6x30mm
"G1"	207X50.8X43mm
"G4"	238X66X48mm

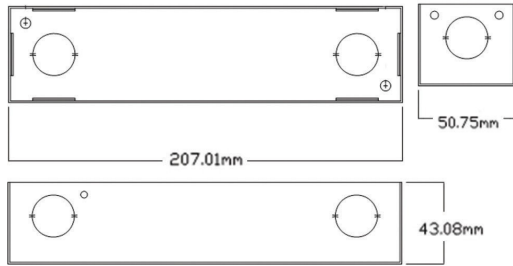


* With 13mm mounting studs

** Without 13mm mounting studs



G1



G4

