



# L.T.F

## Dimmable Low Voltage LED Driver - CLASS 2



### 40W DA40W 120V Series Constant Current / Constant Voltage



<b>Efficiency</b>	higher than 85%
<b>Power Factor</b>	>95%
<b>Case TC</b>	90°C Max.
<b>Protection</b>	Input / Output
<b>Storage</b>	-30°C / +90°C
<b>Humidity</b>	95% RH Max.
<b>IP Rating</b>	IP 60, 65, 67
<b>Class</b>	Class 2 Power Supply
<b>Dimming</b>	ELV & Triac Dimmable
<b>Optional Dim.</b>	0-10V



Intertek



**RoHS**



FCC Part 15  
Class B compliant



\* Ask for more  
Information

### FEATURES

- Isolated output power per NEC and UL safety requirements
- UL and ETL recognized/ Listed, UL 8750, 1310
- Auto-reset ; Short circuit, Overload and Thermal protection
- Dimmable with ELV and Triac type dimmers
- Aluminum casing for optimal heat dissipation
- Low profile, small form factor, junction box mountable
- Flicker free dimming and excellent dimming range
- Class 2 power supply and other than Class 2 options
- Efficient, high power factor, low THD, FCC compliant

### ELECTRICAL SPECIFICATIONS

Constant Current					
Model #	Input Voltage	Input Current	Output Voltage	Output Current	Available Form Factors
DA40W700C	120V AC 50/60Hz	0.33 A	57.2V DC	700 mA	BF2, BF21, F2, F3, LS3, T41
DA40W750C	120V AC 50/60Hz	0.33 A	53.4V DC	750 mA	BF2, BF21, F2, F3, LS3
DA40W780C	120V AC 50/60Hz	0.33 A	51.3V DC	780 mA	BF2, BF21, F2, F3, LS3
DA40W900C	120V AC 50/60Hz	0.33 A	44.5V DC	900 mA	BF2, BF21, F2, F3, LS3
DA40W950C	120V AC 50/60Hz	0.33 A	42.2V DC	950 mA	BF2, BF21, F2, F3, LS3
DA40W980C	120V AC 50/60Hz	0.33 A	40.9V DC	980 mA	BF2, BF21, F2, F3, LS3
DA40W1000C	120V AC 50/60Hz	0.33 A	40.0V DC	1000 mA	BF2, BF21, F2, F3, LS3
DA40W1050C	120V AC 50/60Hz	0.33 A	38.1V DC	1050 mA	BF2, BF21, F2, F3, LS3
DA40W1100C	120V AC 50/60Hz	0.33 A	36.4V DC	1100 mA	BF2, BF21, F2, F3, LS3
DA40W1130C	120V AC 50/60Hz	0.33 A	35.4V DC	1130 mA	BF2, BF21, F2, F3, LS3
DA40W1200C	120V AC 50/60Hz	0.33 A	33.4V DC	1200 mA	BF2, BF21, F2, F3, LS3
DA40W1250C	120V AC 50/60Hz	0.33 A	32.0V DC	1250 mA	BF2, BF21, F2, F3, LS3
DA40W1280C	120V AC 50/60Hz	0.33 A	31.3V DC	1280 mA	BF2, BF21, F2, F3, LS3
DA40W1300C	120V AC 50/60Hz	0.33 A	30.8V DC	1300 mA	BF2, BF21, F2, F3, LS3
DA40W1350C	120V AC 50/60Hz	0.33 A	29.7V DC	1350 mA	BF2, BF21, F2, F3, LS3

Dimmable Low Voltage LED Driver - CLASS 2 - DA40W



Constant Current					
Model #	Input Voltage	Input Current	Output Voltage	Output Current	Available Form Factors
DA40W1400C	120V AC 50/60Hz	0.33 A	28.6V DC	1400 mA	BF2, BF21, F2, F3, LS3
DA40W1420C	120V AC 50/60Hz	0.33 A	28.2V DC	1420 mA	BF2, BF21, F2, F3, LS3
DA40W1480C	120V AC 50/60Hz	0.33 A	27.1V DC	1480 mA	BF2, BF21, F2, F3, LS3
DA40W1500C	120V AC 50/60Hz	0.33 A	26.7V DC	1500 mA	BF2, BF21, F2, F3, LS3
DA40W1550C	120V AC 50/60Hz	0.33 A	25.9V DC	1550 mA	BF2, BF21, F2, F3, LS3
DA40W1600C	120V AC 50/60Hz	0.33 A	25.0V DC	1600 mA	BF2, BF21, F2, F3, LS3
DA40W1680C	120V AC 50/60Hz	0.33 A	23.9V DC	1680 mA	BF2, BF21, F2, F3, LS3
DA40W1700C	120V AC 50/60Hz	0.33 A	23.6V DC	1700 mA	BF2, BF21, F2, F3, LS3
DA40W1750C	120V AC 50/60Hz	0.33 A	22.9V DC	1750 mA	BF2, BF21, F2, F3, LS3
DA40W1820C	120V AC 50/60Hz	0.33 A	21.9V DC	1820 mA	BF2, BF21, F2, F3, LS3
DA40W1900C	120V AC 50/60Hz	0.33 A	21.1V DC	1900 mA	BF2, BF21, F2, F3, LS3
DA40W2000C	120V AC 50/60Hz	0.33 A	20.0V DC	2000 mA	BF2, BF21, F2, F3, LS3
DA40W2050C	120V AC 50/60Hz	0.33 A	19.6V DC	2050 mA	BF2, BF21, F2, F3, LS3
DA40W2100C	120V AC 50/60Hz	0.33 A	19.1V DC	2100 mA	BF2, BF21, F2, F3, LS3
DA40W2200C	120V AC 50/60Hz	0.33 A	18.2V DC	2200 mA	BF2, BF21, F2, F3, LS3
DA40W2350C	120V AC 50/60Hz	0.33 A	17.1V DC	2350 mA	BF2, BF21, F2, F3, LS3
DA40W2400C	120V AC 50/60Hz	0.33 A	16.7V DC	2400 mA	BF2, BF21, F2, F3, LS3
DA40W2450C	120V AC 50/60Hz	0.33 A	16.4V DC	2450 mA	BF2, BF21, F2, F3, LS3
DA40W2500C	120V AC 50/60Hz	0.33 A	16.0V DC	2500 mA	BF2, BF21, F2, F3, LS3
DA40W2600C	120V AC 50/60Hz	0.33 A	15.4V DC	2600 mA	BF2, BF21, F2, F3, LS3
DA40W2800C	120V AC 50/60Hz	0.33 A	14.3V DC	2800 mA	BF2, BF21, F2, F3, LS3
DA40W2850C	120V AC 50/60Hz	0.33 A	14.1V DC	2850 mA	BF2, BF21, F2, F3, LS3
DA40W3000C	120V AC 50/60Hz	0.33 A	13.4V DC	3000 mA	BF2, BF21, F2, F3, LS3

Constant Voltage					
Model #	Input Voltage	Input Current	Output Voltage	Output Current	Available Form Factors
DA40W12V	120V AC 50/60Hz	0.33 A	12V DC	3330 mA	BF2, BF21, F2, F3, LS3
DA40W24V	120V AC 50/60Hz	0.33 A	24V DC	1700 mA	BF2, BF21, F2, F3, LS3

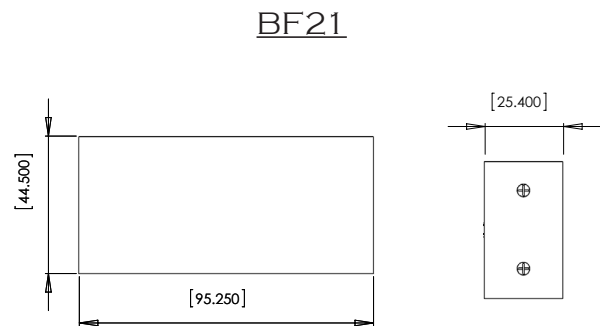
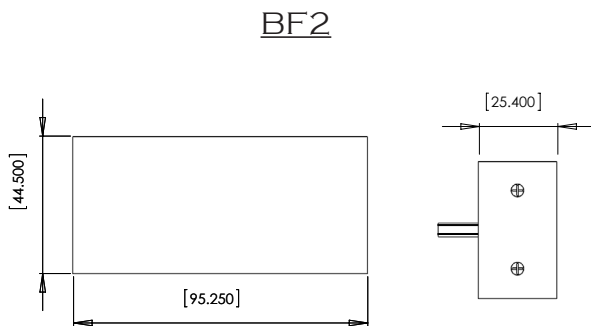
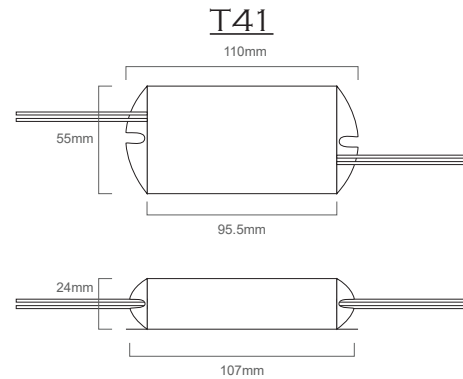
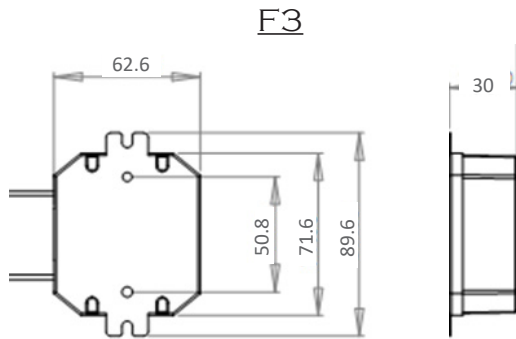
Dimming Guide	
Model #	Dimming Code
(L) DA40WXXXX	Standard Dimming
(L) DA40WXXXXD010	0-10V Dimming
(L) DA40WXXXXDALI	DALI Dimming



Remote Enclosure Option	
Model #	Remote Enclosure
LDA40WXXXRE	G2
LDA40WXXXREO	G3

MECHANICAL SPECS.

Available Form Factors	Dimensions
"BF2"	95.3X44.5X25.4mm (mounting studs)
"BF21"	95.3X44.5X25.4mm (no mounting studs)
"F2"	132X37X24.5mm
"F3"	71.6X62.6X30mm
"LS3"*	282x28x19mm
"T41"	110x55x24mm
Remote Enclosure	
"G2"	233.1X85.5X48.9mm
"G3"	280X103X56mm



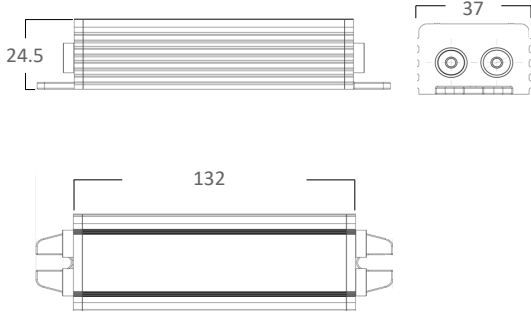
\* With 13mm mounting studs

\*\* Without 13mm mounting studs

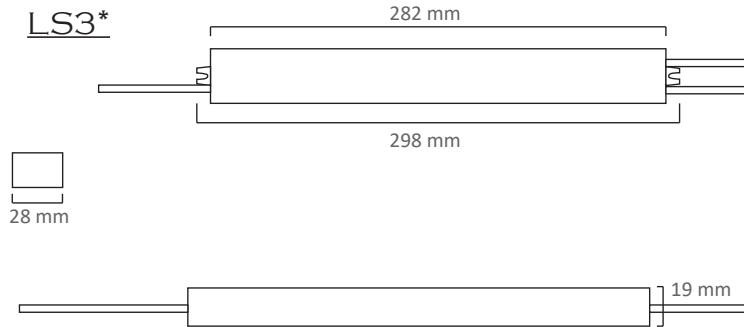
\* Aluminum Enclosure



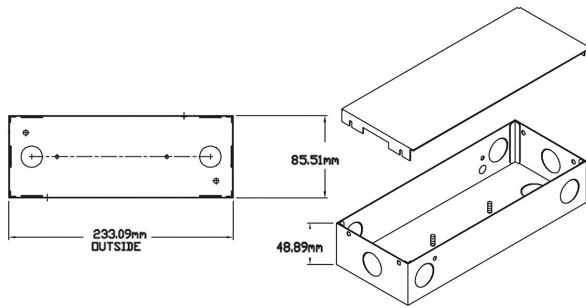
F2



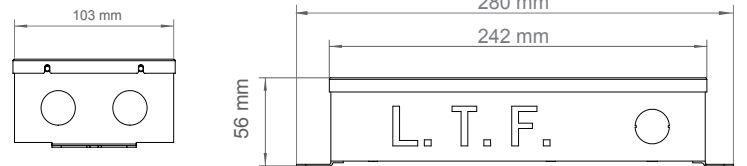
LS3\*



G2



G3





# L.T.F

## Dimmable Low Voltage LED Driver - CLASS 2



### 40W DE40W 277V Series Constant Current / Constant Voltage



<b>Efficiency</b>	higher than 85%
<b>Power Factor</b>	>95%
<b>Case TC</b>	90°C Max.
<b>Protection</b>	Input / Output
<b>Storage</b>	-30°C / +90°C
<b>Humidity</b>	95% RH Max.
<b>IP Rating</b>	IP 60, 65, 67
<b>Class</b>	Class 2 Power Supply
<b>Dimming</b>	ELV & Triac Dimmable
<b>Optional Dim.</b>	0-10V



Intertek



**RoHS**



FCC Part 15  
Class B compliant



\* Ask for more Information

### FEATURES

- Isolated output power per NEC and UL safety requirements
- UL and ETL recognized/ Listed, UL 8750, 1310
- Auto-reset ; Short circuit, Overload and Thermal protection
- Dimmable with ELV and Triac type dimmers
- Aluminum casing for optimal heat dissipation
- Low profile, small form factor, junction box mountable
- Flicker free dimming and excellent dimming range
- Class 2 power supply and other than Class 2 options
- Efficient, high power factor, low THD, FCC compliant

### ELECTRICAL SPECIFICATIONS

Constant Current					
Model #	Input Voltage	Input Current	Output Voltage	Output Current	Available Form Factors
DE40W700C	277V AC 50/60Hz	0.14 A	57.2V DC	700 mA	BF2, BF21, F2, F3, LS3
DE40W750C	277V AC 50/60Hz	0.14 A	53.4V DC	750 mA	BF2, BF21, F2, F3, LS3
DE40W780C	277V AC 50/60Hz	0.14 A	51.3V DC	780 mA	BF2, BF21, F2, F3, LS3
DE40W900C	277V AC 50/60Hz	0.14 A	44.5V DC	900 mA	BF2, BF21, F2, F3, LS3
DE40W950C	277V AC 50/60Hz	0.14 A	42.2V DC	950 mA	BF2, BF21, F2, F3, LS3
DE40W980C	277V AC 50/60Hz	0.14 A	40.9V DC	980 mA	BF2, BF21, F2, F3, LS3
DE40W1000C	277V AC 50/60Hz	0.14 A	40.0V DC	1000 mA	BF2, BF21, F2, F3, LS3
DE40W1050C	277V AC 50/60Hz	0.14 A	38.1V DC	1050 mA	BF2, BF21, F2, F3, LS3
DE40W1100C	277V AC 50/60Hz	0.14 A	36.4V DC	1100 mA	BF2, BF21, F2, F3, LS3
DE40W1130C	277V AC 50/60Hz	0.14 A	35.4V DC	1130 mA	BF2, BF21, F2, F3, LS3
DE40W1200C	277V AC 50/60Hz	0.14 A	33.4V DC	1200 mA	BF2, BF21, F2, F3, LS3
DE40W1250C	277V AC 50/60Hz	0.14 A	32.0V DC	1250 mA	BF2, BF21, F2, F3, LS3
DE40W1280C	277V AC 50/60Hz	0.14 A	31.3V DC	1280 mA	BF2, BF21, F2, F3, LS3
DE40W1300C	277V AC 50/60Hz	0.14 A	30.8V DC	1300 mA	BF2, BF21, F2, F3, LS3
DE40W1350C	277V AC 50/60Hz	0.14 A	29.7V DC	1350 mA	BF2, BF21, F2, F3, LS3

Dimmable Low Voltage LED Driver - CLASS 2 - DE40W



Constant Current					
Model #	Input Voltage	Input Current	Output Voltage	Output Current	Available Form Factors
DE40W1400C	277V AC 50/60Hz	0.14 A	28.6V DC	1400 mA	BF2, BF21, F2, F3, LS3
DE40W1420C	277V AC 50/60Hz	0.14 A	28.2V DC	1420 mA	BF2, BF21, F2, F3, LS3
DE40W1480C	277V AC 50/60Hz	0.14 A	27.1V DC	1480 mA	BF2, BF21, F2, F3, LS3
DE40W1500C	277V AC 50/60Hz	0.14 A	26.7V DC	1500 mA	BF2, BF21, F2, F3, LS3
DE40W1550C	277V AC 50/60Hz	0.14 A	25.9V DC	1550 mA	BF2, BF21, F2, F3, LS3
DE40W1600C	277V AC 50/60Hz	0.14 A	25.0V DC	1600 mA	BF2, BF21, F2, F3, LS3
DE40W1680C	277V AC 50/60Hz	0.14 A	23.9V DC	1680 mA	BF2, BF21, F2, F3, LS3
DE40W1700C	277V AC 50/60Hz	0.14 A	23.6V DC	1700 mA	BF2, BF21, F2, F3, LS3
DE40W1750C	277V AC 50/60Hz	0.14 A	22.9V DC	1750 mA	BF2, BF21, F2, F3, LS3
DE40W1820C	277V AC 50/60Hz	0.14 A	21.9V DC	1820 mA	BF2, BF21, F2, F3, LS3
DE40W1900C	277V AC 50/60Hz	0.14 A	21.1V DC	1900 mA	BF2, BF21, F2, F3, LS3
DE40W2000C	277V AC 50/60Hz	0.14 A	20.0V DC	2000 mA	BF2, BF21, F2, F3, LS3
DE40W2050C	277V AC 50/60Hz	0.14 A	19.6V DC	2050 mA	BF2, BF21, F2, F3, LS3
DE40W2100C	277V AC 50/60Hz	0.14 A	19.1V DC	2100 mA	BF2, BF21, F2, F3, LS3
DE40W2200C	277V AC 50/60Hz	0.14 A	18.2V DC	2200 mA	BF2, BF21, F2, F3, LS3
DE40W2350C	277V AC 50/60Hz	0.14 A	17.1V DC	2350 mA	BF2, BF21, F2, F3, LS3
DE40W2400C	277V AC 50/60Hz	0.14 A	16.7V DC	2400 mA	BF2, BF21, F2, F3, LS3
DE40W2450C	277V AC 50/60Hz	0.14 A	16.4V DC	2450 mA	BF2, BF21, F2, F3, LS3
DE40W2500C	277V AC 50/60Hz	0.14 A	16.0V DC	2500 mA	BF2, BF21, F2, F3, LS3
DE40W2600C	277V AC 50/60Hz	0.14 A	15.4V DC	2600 mA	BF2, BF21, F2, F3, LS3
DE40W2800C	277V AC 50/60Hz	0.14 A	14.3V DC	2800 mA	BF2, BF21, F2, F3, LS3
DE40W2850C	277V AC 50/60Hz	0.14 A	14.1V DC	2850 mA	BF2, BF21, F2, F3, LS3
DE40W3000C	277V AC 50/60Hz	0.14 A	13.4V DC	3000 mA	BF2, BF21, F2, F3, LS3

Constant Voltage					
Model #	Input Voltage	Input Current	Output Voltage	Output Current	Available Form Factors
DE40W12V	277V AC 50/60Hz	0.14 A	12V DC	3300 mA	BF2, BF21, F2, F3, LS3
DE40W24V	277V AC 50/60Hz	0.14 A	24V DC	1700 mA	BF2, BF21, F2, F3, LS3

Dimming Guide	
Model #	Dimming Code
(L)DE40WXXXXV	Standard Dimming
(L) DE40WXXXXVD010	0-10V Dimming
(L) DE40WXXXXVDALI	DALI Dimming

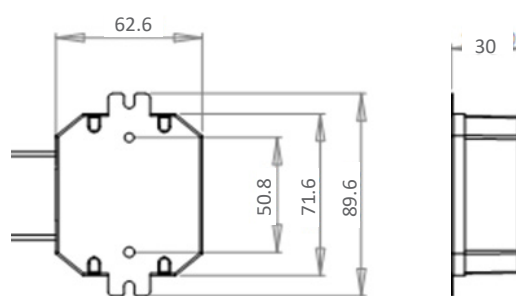


Remote Enclosure Option	
Model #	Remote Enclosure
LDE40WXXXRE	G2
LDE40WXXXREO	G3

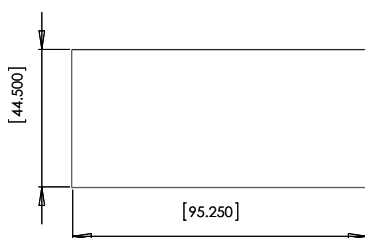
MECHANICAL SPECS.

Available Form Factors	Dimensions
"BF2"	95.3X44.5X25.4mm (mounting studs)
"BF21"	95.3X44.5X25.4mm (no mounting studs)
"F2"	132X37X24.5mm
"F3"	71.6X62.6X30mm
"LS3"*	282x28x19mm
Remote Enclosure	
"G2"	233.1X85.5X48.9mm
"G3"	280X103X56mm

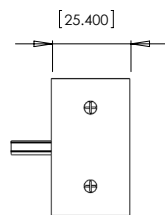
F3



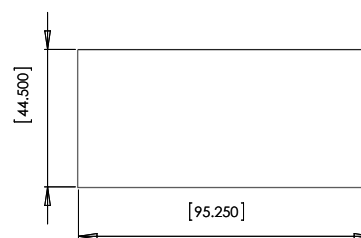
BF2



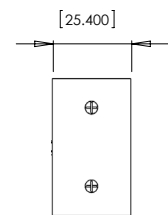
\* With 13mm mounting studs



BF21



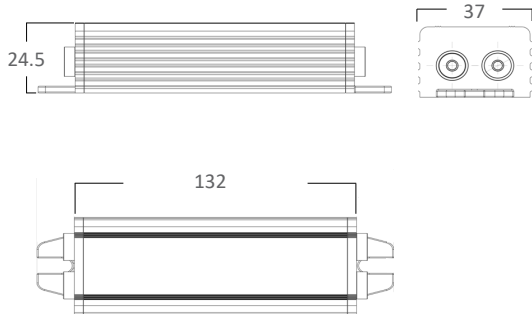
\*\* Without 13mm mounting studs



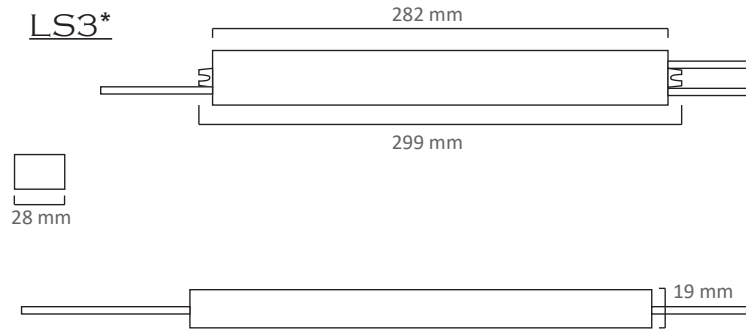
\* Aluminum Enclosure



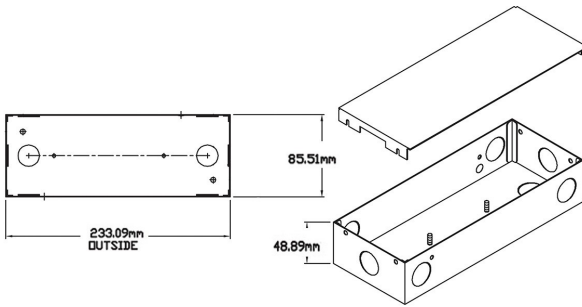
F2



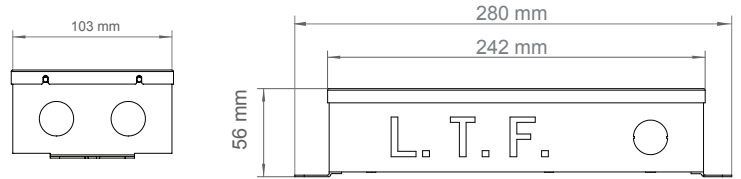
LS3\*



G2



G3







# L.T.F

## Dimmable Low Voltage LED Driver - CLASS 2



### 40W DU40W 220-240V Series Constant Current / Constant Voltage



<b>Efficiency</b>	higher than 85%
<b>Power Factor</b>	>95%
<b>Case TC</b>	90°C Max.
<b>Protection</b>	Input / Output
<b>Storage</b>	-30°C / +90°C
<b>Humidity</b>	95% RH Max.
<b>IP Rating</b>	IP 60, 65, 67
<b>Class</b>	Class 2 Power Supply
<b>Dimming</b>	ELV & Triac Dimmable
<b>Optional Dim.</b>	0-10V



Intertek



**RoHS**



FCC Part 15  
Class B compliant



\* Ask for more  
Information

### FEATURES

- Isolated output power per NEC and UL safety requirements
- UL and ETL recognized/ Listed, UL 8750, 1310
- Auto-reset ; Short circuit, Overload and Thermal protection
- Dimmable with ELV and Triac type dimmers
- Aluminum casing for optimal heat dissipation
- Low profile, small form factor, junction box mountable
- Flicker free dimming and excellent dimming range
- Class 2 power supply and other than Class 2 options
- Efficient, high power factor, low THD, FCC compliant

### ELECTRICAL SPECIFICATIONS

Constant Current					
Model #	Input Voltage	Input Current	Output Voltage	Output Current	Available Form Factors
DU40W700C	220-240V AC 50/60Hz	0.18 A	57.2V DC	700 mA	BF2, BF21, F2, F3, LS3
DU40W750C	220-240V AC 50/60Hz	0.18 A	53.4V DC	750 mA	BF2, BF21, F2, F3, LS3
DU40W780C	220-240V AC 50/60Hz	0.18 A	51.3V DC	780 mA	BF2, BF21, F2, F3, LS3
DU40W900C	220-240V AC 50/60Hz	0.18 A	44.5V DC	900 mA	BF2, BF21, F2, F3, LS3
DU40W950C	220-240V AC 50/60Hz	0.18 A	42.2V DC	950 mA	BF2, BF21, F2, F3, LS3
DU40W980C	220-240V AC 50/60Hz	0.18 A	40.9V DC	980 mA	BF2, BF21, F2, F3, LS3
DU40W1000C	220-240V AC 50/60Hz	0.18 A	40.0V DC	1000 mA	BF2, BF21, F2, F3, LS3
DU40W1050C	220-240V AC 50/60Hz	0.18 A	38.1V DC	1050 mA	BF2, BF21, F2, F3, LS3
DU40W1100C	220-240V AC 50/60Hz	0.18 A	36.4V DC	1100 mA	BF2, BF21, F2, F3, LS3
DU40W1130C	220-240V AC 50/60Hz	0.18 A	35.4V DC	1130 mA	BF2, BF21, F2, F3, LS3
DU40W1200C	220-240V AC 50/60Hz	0.18 A	33.4V DC	1200 mA	BF2, BF21, F2, F3, LS3
DU40W1250C	220-240V AC 50/60Hz	0.18 A	32.0V DC	1250 mA	BF2, BF21, F2, F3, LS3
DU40W1280C	220-240V AC 50/60Hz	0.18 A	31.3V DC	1280 mA	BF2, BF21, F2, F3, LS3
DU40W1300C	220-240V AC 50/60Hz	0.18 A	30.8V DC	1300 mA	BF2, BF21, F2, F3, LS3
DU40W1350C	220-240V AC 50/60Hz	0.18 A	29.7V DC	1350 mA	BF2, BF21, F2, F3, LS3

Dimmable Low Voltage LED Driver - CLASS 2 - DU40W



Constant Current					
Model #	Input Voltage	Input Current	Output Voltage	Output Current	Available Form Factors
DU40W1400C	220-240V AC 50/60Hz	0.18 A	28.6V DC	1400 mA	BF2, BF21, F2, F3, LS3
DU40W1420C	220-240V AC 50/60Hz	0.18 A	28.2V DC	1420 mA	BF2, BF21, F2, F3, LS3
DU40W1480C	220-240V AC 50/60Hz	0.18 A	27.1V DC	1480 mA	BF2, BF21, F2, F3, LS3
DU40W1500C	220-240V AC 50/60Hz	0.18 A	26.7V DC	1500 mA	BF2, BF21, F2, F3, LS3
DU40W1550C	220-240V AC 50/60Hz	0.18 A	25.9V DC	1550 mA	BF2, BF21, F2, F3, LS3
DU40W1600C	220-240V AC 50/60Hz	0.18 A	25.0V DC	1600 mA	BF2, BF21, F2, F3, LS3
DU40W1680C	220-240V AC 50/60Hz	0.18 A	23.9V DC	1680 mA	BF2, BF21, F2, F3, LS3
DU40W1700C	220-240V AC 50/60Hz	0.18 A	23.6V DC	1700 mA	BF2, BF21, F2, F3, LS3
DU40W1750C	220-240V AC 50/60Hz	0.18 A	22.9V DC	1750 mA	BF2, BF21, F2, F3, LS3
DU40W1820C	220-240V AC 50/60Hz	0.18 A	21.9V DC	1820 mA	BF2, BF21, F2, F3, LS3
DU40W1900C	220-240V AC 50/60Hz	0.18 A	21.1V DC	1900 mA	BF2, BF21, F2, F3, LS3
DU40W2000C	220-240V AC 50/60Hz	0.18 A	20.0V DC	2000 mA	BF2, BF21, F2, F3, LS3
DU40W2050C	220-240V AC 50/60Hz	0.18 A	19.6V DC	2050 mA	BF2, BF21, F2, F3, LS3
DU40W2100C	220-240V AC 50/60Hz	0.18 A	19.1V DC	2100 mA	BF2, BF21, F2, F3, LS3
DU40W2200C	220-240V AC 50/60Hz	0.18 A	18.2V DC	2200 mA	BF2, BF21, F2, F3, LS3
DU40W2350C	220-240V AC 50/60Hz	0.18 A	17.1V DC	2350 mA	BF2, BF21, F2, F3, LS3
DU40W2400C	220-240V AC 50/60Hz	0.18 A	16.7V DC	2400 mA	BF2, BF21, F2, F3, LS3
DU40W2450C	220-240V AC 50/60Hz	0.18 A	16.4V DC	2450 mA	BF2, BF21, F2, F3, LS3
DU40W2500C	220-240V AC 50/60Hz	0.18 A	16.0V DC	2500 mA	BF2, BF21, F2, F3, LS3
DU40W2600C	220-240V AC 50/60Hz	0.18 A	15.4V DC	2600 mA	BF2, BF21, F2, F3, LS3
DU40W2800C	220-240V AC 50/60Hz	0.18 A	14.3V DC	2800 mA	BF2, BF21, F2, F3, LS3
DU40W2850C	220-240V AC 50/60Hz	0.18 A	14.1V DC	2850 mA	BF2, BF21, F2, F3, LS3
DU40W3000C	220-240V AC 50/60Hz	0.18 A	13.4V DC	3000 mA	BF2, BF21, F2, F3, LS3

Constant Voltage					
Model #	Input Voltage	Input Current	Output Voltage	Output Current	Available Form Factors
DU40W12V	220-240V AC 50/60Hz	0.18 A	12V DC	3300 mA	BF2, BF21, F2, F3, LS3
DU40W24V	220-240V AC 50/60Hz	0.18 A	24V DC	1700 mA	BF2, BF21, F2, F3, LS3

Dimming Guide	
Model #	Dimming Code
DU40WXXXXV	Standard Dimming
DU40WXXXXVD010	0-10V Dimming
DU40WXXXXVDALI	DALI Dimming

Dimmable Low Voltage LED Driver - CLASS 2 - DU40W

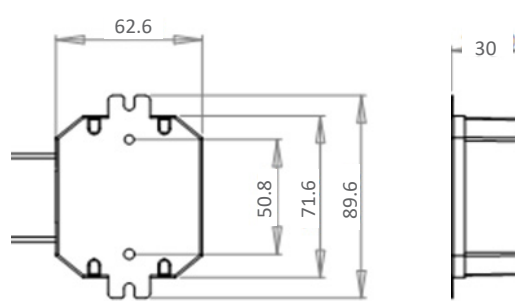


Remote Enclosure Option	
Model #	Remote Enclosure
LDU40WXXXXRE	G2
LDU40WXXXXREO	G3

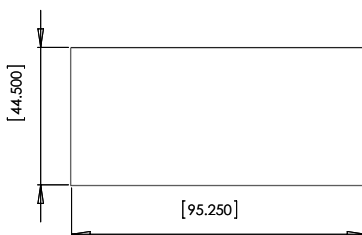
MECHANICAL SPECS.

Available Form Factors	Dimensions
"BF2"	95.3X44.5X25.4mm (mounting studs)
"BF21"	95.3X44.5X25.4mm (no mounting studs)
"F2"	132X37X24.5mm
"F3"	71.6X62.6X30mm
"LS3"*	282x28x19mm
Remote Enclosure	
"G2"	233.1X85.5X48.9mm
"G3"	280X103X56mm

F3

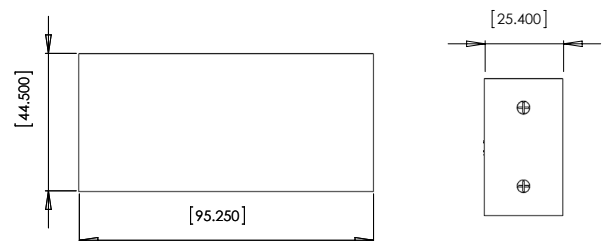


BF2



\* With 13mm mounting studs

BF21

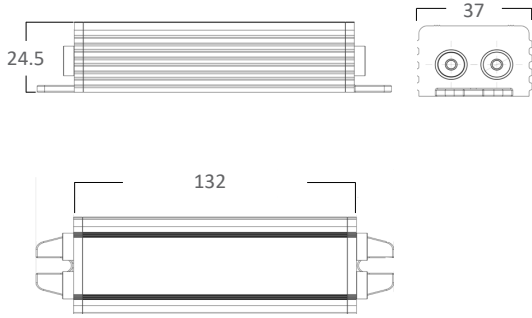


\*\* Without 13mm mounting studs

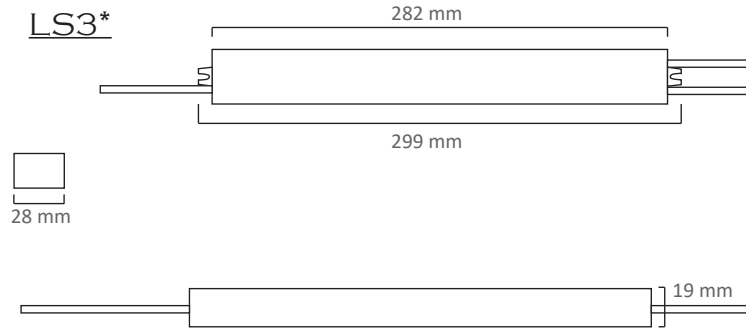
\* Aluminum Enclosure



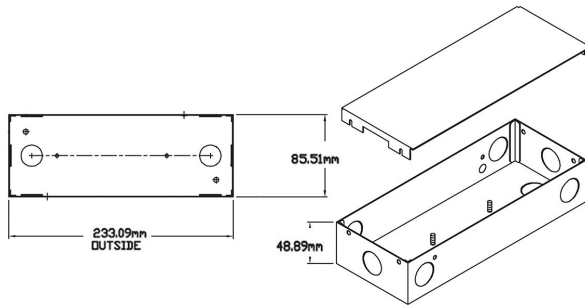
F2



LS3\*



G2



G3

