



L.T.F

Dimmable Low Voltage UniDriver- CLASS 2



12W DS12W UniDriver 100-305V Series Constant Current / Constant Voltage



Efficiency	higher than 85%
Power Factor	>95%
Case TC	90°C Max.
Protection	Input / Output
Storage	-30°C / +90°C
Humidity	95% RH Max.
IP Rating	IP67
Class	Class 2 Power Supply
Dimming	Triac/ELV/0-10V
Output Voltage	280mA-1000mA



RoHS



FCC Part 15
Class B compliant



FEATURES

- All-In-One dimming capabilities; Triac, ELV, and 0-10V dimming
- Universal input voltage; 100-305V AC
- Isolated output power per NEC and UL safety requirements
- UL recognized/ Listed, UL8750, UL1310
- Auto-reset ; Short circuit, Overload and Thermal protection
- Superior thermal performance
- Aluminum case with high W/m.K encapsulating material
- Low profile, small form factor, junction box mountable
- < 30% flicker with excellent dimming range
- Class 2 power supply and other than Class 2 options
- Efficient, high power factor, low THD, FCC Class B

ELECTRICAL SPECIFICATIONS

Constant Current				
Model #	Input Voltage	Output Voltage	Output Current	Available Form Factors
DS12W280C2043UD	100-305V AC 50/60Hz > 0.90 PF < 20% THD	20-43VDC	280mA	MB1, F3
DS12W300C2040UD		20-40VDC	300mA	MB1, F3
DS12W320C1838UD		18V-38VDC	320mA	MB1, F3
DS12W350C1534UD		15-34VDC	350mA	MB1, F3
DS12W440C1028UD		10V-28VDC	440mA	MB1, F3
DS12W550C1022UD		10V-22VDC	550mA	MB1, F3
DS12W700C1017UD		10V-17VDC	700mA	MB1, F3
DS12W750C1016UD		10V-16VDC	750mA	MB1, F3
DS12W1000C1012UD		10V-12VDC	1000mA	MB1, F3



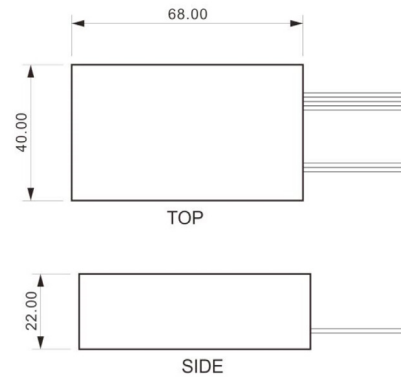
Constant Voltage				
Model #	Input Voltage	Output Voltage	Output Current	Available Form Factors
DS12W12VUD	100-305V AC 50/60Hz > 0.90 PF < 20% THD	12VDC	1000 mA	MB1, LS1
DS12W24VUD		24VDC	500 mA	MB1, LS1

Remote Enclosure Option	
Model #	Remote Enclosure
LDS12WXXXRE	G1
LDS12WXXXREO	G4

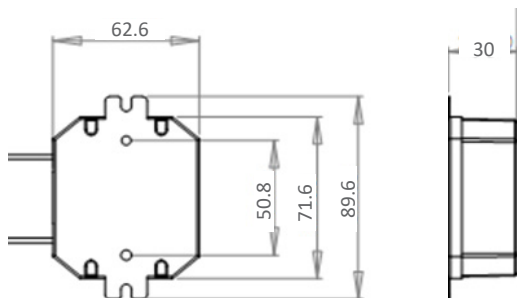
MECHANICAL SPECS.

Available Form Factors	Dimensions
"MB1"	68x40x22mm
"F3"	71.6x62.6x30mm
"LS1"	177x30x20mm
"BF"	77.4x39x25mm
"BF1"	77.4x39x25mm
"G1"	207X50.8X43mm
"G4"	238X66X48mm

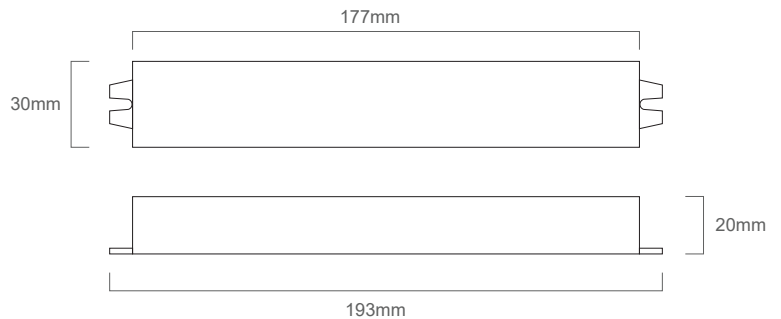
MB1



F3

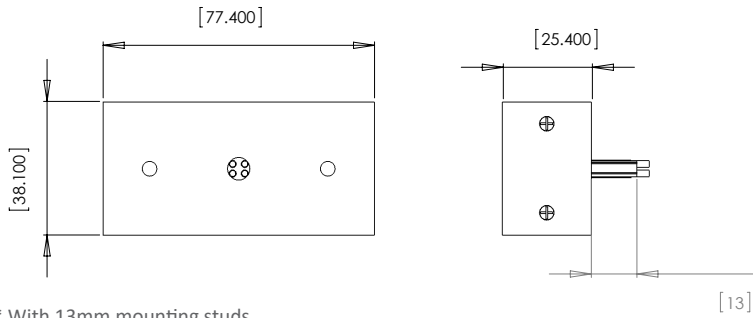


LS1



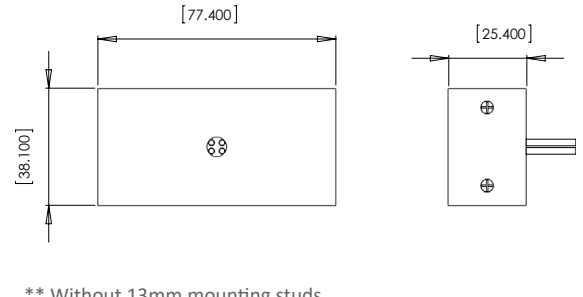


BF*



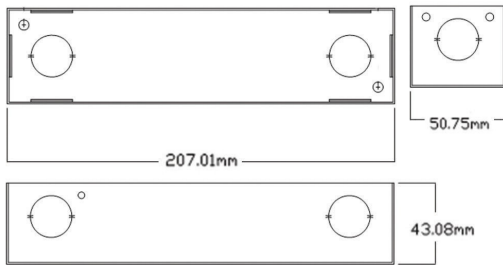
* With 13mm mounting studs

BF1**



** Without 13mm mounting studs

G1



G4

