



L.T.F.

UniDriver Series Dimmable LED Driver

**300W DS300W-4002 120-277V UniDriver Series
Constant Voltage**

UNIDRIVER

True Tri Mode Dimming • ELV, TRIAC & 0-10V • 100-277V



Efficiency	> 80%
Power Factor	> 0.9
Case TC	90C° Max.
Protection	Input / Output
Storage	-30°C / +90°C
Humidity	95% RH Max.
IP Rating	IP 67
Class	Class 2 Power Supply
Dimming	0-10V, TRIAC, ELV



RoHS



* Ask for more information

FEATURES

- Universal Input 120V-277V AC 50/60Hz
- **True Tri Mode Dimming** at all input voltages 0-10V, ELV & Triac
- Smooth, flicker free dimming 100%-0.1%
- Title 24 Compliant, AAA rating
- Isolated output power per NEC and UL safety requirements
- UL & ETL recognized/ listed, meets UL 8750, 1310 requirements
- Auto-reset; short circuit, overload and thermal protection
- Low profile, small form factor, junction box mountable
- Efficient, High power factor > 0.90

MODEL NUMBER KEY (Constant Voltage)

(L)	DS	96W	24V	BR1	UD	(REO)	-3002
UL Listed (Option)	Input Voltage DS = 120-277VAC DA = 120VAC DE = 277VAC DU = 220-240VAC	Wattage	24V DC Constant Voltage	Case Form Factor	UniDriver Series Tri-Mode Dimmable	Remote Enclosure RE = Indoor REO = Outdoor (Option)	Internal Code

GENERAL SPECIFICATIONS

Constant Voltage					
Model #	Input Voltage	Wattage	Output Voltage	Load	Form Factor
DS300W12VBR4UD-4002	120-277V AC, 3.13A, 50/60Hz	300W	12V DC	12V DC LED, 25A Max.	BR4
DS300W24VBR4UD-4002			24V DC	24V DC LED, 12.5A Max.	
DS300W48VBR4UD-4002			48V DC	48V DC LED, 6.25A Max.	

L.T.F. L.L.C. PHONE: (847) 498-5832 FAX: (773) 337-5628 EMAIL: LTFsales@ltftechnology.com

Company's Address: 11966 Oak Creek Pkwy. Unit H Huntley IL 60142 U.S.A. www.ltftechnology.com

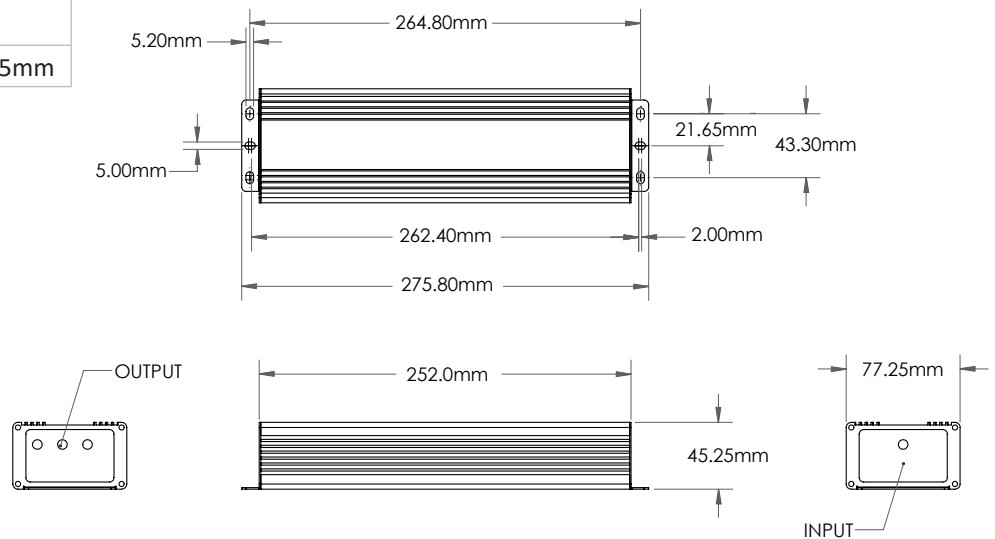
© L.T.F., L.L.C. All rights reserved. L.T.F. reserves the right to change specification for product improvements without notification.



MECHANICAL SPECS

BR4

Form Factor	Dimensions
"BR4"	276 (252)mm x 77mm x 45mm



ELECTRICAL CHARACTERISTICS (Full Power, No Dimming)

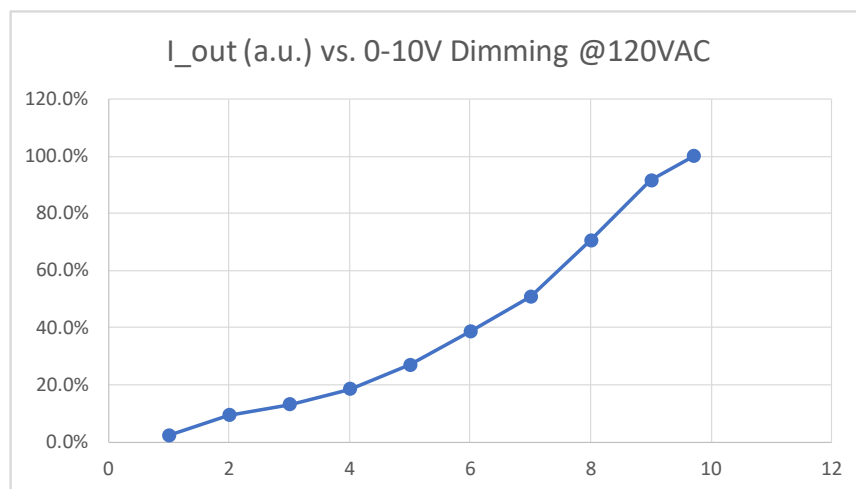
VAC	I _{in} (mA)	P _{in} (W)	PF	THD %	V _{out} (V)	I _{out} (mA)	IFP (min.)	IFP (max)	P _{out} (W)	Effi.	Flicker
108	3380.1	352.8	0.989	4.44	24.01	13000	12850	13080	312.13	88.5%	0.9%
120	3012.9	349	0.997	4.43	24.02	12880	12840	13020	309.38	88.6%	0.7%
132	2727	346.6	0.996	6.53	24.01	13000	12850	13080	312.13	90.1%	0.9%
198	1929.4	344.5	0.982	16.14	24	12990	12990	13080	311.76	90.5%	0.3%
220	1715.1	342.8	0.98	16.57	24	12955	12955	12955	310.92	90.7%	0.0%
240	1555.1	340.9	0.979	16.41	24	13000	13000	13000	312.00	91.5%	0.0%
250	1481.4	341.5	0.978	16.43	24	12975	12975	12975	311.40	91.2%	0.0%
260	1414.6	341.2	0.978	15.95	24	12985	12985	12985	311.64	91.3%	0.0%
277	1309	340	0.976	15.39	24	12985	12985	12985	311.64	91.7%	0.0%
305	1182.4	338.3	0.965	17.08	24	12940	12940	12940	310.56	91.8%	0.0%



DIMMING CHARACTERISTICS

120V AC 0-10V Dimming

Dim V	I _{in} (mA)	P _{in} (W)	PF	THD %	V _{out} (V)	I _{out} (mA)	IFP (min.)	IFP (max)	P _{out} (W)	Effi.	Flicker	PWM
9.7	2970	340.4	0.997	4.58	23.99	12800	12620	12840	307.07	90.2%	0.9%	0.12
9	2700.9	313.2	0.998	4.39	33.63	11700	0	12740	393.47		100.0%	0.8
8	2066.5	239.9	0.991	12.11	19.05	9012	0	12740	171.68	71.6%	100.0%	0.8
7	1499.4	174.5	0.988	14.96	15.85	6495	0	12480	102.95	59.0%	100.0%	0.8
6	1144.5	132.9	0.985	16.34	13.73	4940	0	12480	67.83	51.0%	100.0%	0.8
5	804.5	93.2	0.981	17.72	11.55	3435	0	12360	39.67	42.6%	100.0%	0.8
4	563.2	64.8	0.978	18.04	10.15	2370	0	12200	24.06	37.1%	100.0%	0.8
3	410	46.8	0.973	19.04	9.09	1680	0	12200	15.27	32.6%	100.0%	0.8
2	297.5	33.8	0.957	19.15	8.2	1200	0	12200	9.84	29.1%	100.0%	0.8
1	92.8	10.1	0.916	31.35	7.19	280	0	12200	2.0132	19.9%	100.0%	0.8
0	47.5	3.74	0.697	65.7	1.22	0		0	0	0.0%		0

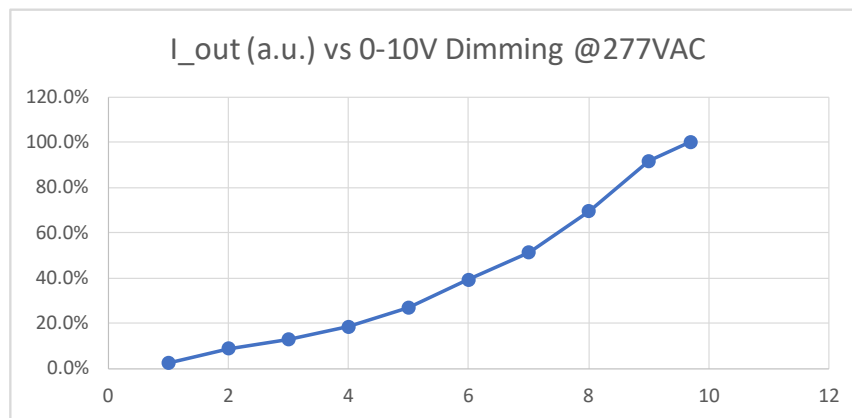




DIMMING CHARACTERISTICS (Continued)

277V AC 0-10V Dimming

Dim V	I _{in} (mA)	P _{in} (W)	PF	THD %	V _{out} (V)	I _{out} (mA)	IFP (min.)	IFP (max)	P _{out} (W)	Effi.	Flicker	PWM
9.7	1307	338.9	0.976	15.45	23.99	12940	12850	13020	310.43	91.6%	0.7%	0.12
9	1205.4	312.5	0.975	15.42	22.63	11850	0	13000	268.17	85.8%	100.0%	0.8
8	918.5	237.6	0.971	15.74	18.92	9001	0	12800	170.30	71.7%	100.0%	0.8
7	682.6	176.1	0.966	15.86	15.95	6640	0	12620	105.91	60.1%	100.0%	0.8
6	524.1	134.6	0.961	16.23	13.72	5062	0	12560	69.45	51.6%	100.0%	0.8
5	374.2	94.6	0.952	16.71	11.73	3475	0	12200	40.76	43.1%	100.0%	0.8
4	263.3	65.5	0.928	18.03	11.01	2374	0	12200	26.14	39.9%	100.0%	0.8
3	189.9	46.5	0.9	18.95	10.31	1665	0	12200	17.17	36.9%	100.0%	0.8
2	139.5	32.7	0.861	19.65	8.46	1148	0	12200	9.71	29.7%	100.0%	0.8
1	70.5	10.5	0.548	30.42	7.16	318	0	12200	2.28	21.7%	100.0%	0.8
0	39.1	3.81	0.363	49.41	3.22	0	0	0	0.00	0.0%	0	0

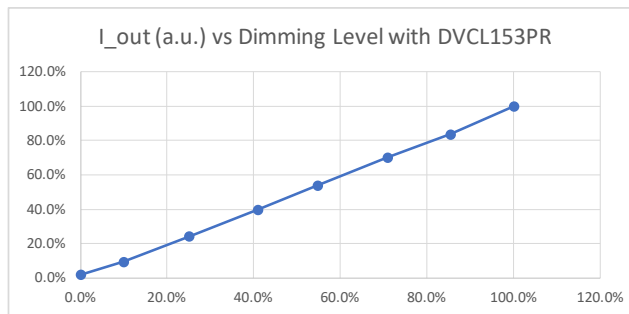




DIMMING CHARACTERISTICS (Continued)

CL Dimming (DVCL-153PR)

Dim %	I _{in} (mA)	P _{in} (W)	PF	V _{out} (V)	I _{out} (mA)	IFP (min.)	IFP (max.)	P _{out} (W)	Effi.	Flicker	PWM
100	3130	344.3	0.95	23.98	12860	12780	12980	308.38	89.6%	0.8%	0.12
85	2820	293.9	0.891	21.19	10750	0	12980	227.79	77.5%	100.0%	0.8
70	2439	243.9	0.866	19.05	9020	0	12600	171.83	70.5%	100.0%	0.8
55	1982	188.3	0.821	16.59	6920	0	12600	114.80	61.0%	100.0%	0.8
40	1618.6	140.8	0.75	14.53	5100	0	12300	74.10	52.6%	100.0%	0.8
25	1227	86.1	0.615	11.17	3115	0	12300	34.79	40.4%	100.0%	0.8
10	752.1	34.1	0.392	8.64	1190	0	12300	10.28	30.2%	100.0%	0.8
0	321.5	8.61	0.239	7.4	240	0	12300	1.78	20.6%	100.0%	0.8



ELV Dimming (SELV-300P)

Dim %	I _{in} (mA)	P _{in} (W)	PF	V _{out} (V)	I _{out} (mA)	IFP (min.)	IFP (max.)	P _{out} (W)	Effi.	Flicker	PWM
100	2995	347	0.997	23.99	12700	12620	12820	304.67	87.8%	0.8%	0.12
85	2915.8	293.8	0.867	21.27	10570	0	12820	224.82	76.5%	100.0%	0.8
70	2470.5	239.4	0.836	18.94	8730	0	12820	165.35	69.1%	100.0%	0.8
55	2071.3	189.2	0.788	16.68	6940	0	12620	115.76	61.2%	100.0%	0.8
40	1703.8	138.3	0.698	14.41	5030	0	12620	72.48	52.4%	100.0%	0.8
25	1338.9	89.2	0.571	11.2	3289	0	12360	36.84	41.3%	100.0%	0.8
10	884	35.9	0.347	8.5	1230	0	12360	10.46	29.1%	100.0%	0.8
0	252	6.05	0.205	7.07	140	0	12360	0.99	16.4%	100.0%	0.8

