



L.T.F.

UniDriver Series Dimmable LED Driver

**75W DS75W-0000 120-277V UniDriver Series
Constant Voltage**

UNIDRIVER

True Tri Mode Dimming • ELV, TRIAC & 0-10V • 100-277V



Efficiency	> 85%
Power Factor	> 0.9
Case TC	85°C Max.
Protection	Input / Output
Storage	-30°C / +90°C
Humidity	95% RH Max.
IP Rating	IP 66
Class	Class 2 Power Supply
Dimming	0-10V, TRIAC, ELV



RoHS



* Ask for more information

FEATURES

- Universal Input 120V-277V AC 50/60Hz
- **True Tri Mode Dimming** at all input voltages 0-10V, ELV & Triac
- Smooth, flicker free dimming 100%-0.1%
- Title 24 Compliant, AAA rating
- Class 2 power supply
- Isolated output power per NEC and UL safety requirements
- UL & ETL recognized/ listed, meets UL 8750, 1310 requirements
- Auto-reset; short circuit, overload and thermal protection
- Low profile, small form factor, junction box mountable
- Efficient, High power factor > 0.90

MODEL NUMBER KEY (Constant Voltage)

(L)	DS	96W	24V	BR1	UD	(REO)	-3002
UL Listed (Option)	Input Voltage DS = 120-277VAC DA = 120VAC DE = 277VAC DU = 220-240VAC	Wattage	24V DC Constant Voltage	Case Form Factor	UniDriver Series Tri-Mode Dimmable	Remote Enclosure RE = Indoor REO = Outdoor (Option)	Internal Code

ELECTRICAL SPECIFICATIONS

Constant Voltage	Model Number	Input Voltage	Wattage	Output Voltage	Load	Form Factor
	DS75W12VL19UD-0000	120-277V AC, 0.8A, 50/60Hz	75W	12V DC	12V DC LED, 6.25A Max.	L19
	DS75W24VL19UD-0000			24V DC	24V DC LED, 3.125A Max.	
	DS75W48VL19UD-0000			48V DC	48V DC LED, 1.562A Max.	

L.T.F. L.L.C. PHONE: (847) 498-5832 FAX: (773) 337-5628 EMAIL: LTFsales@lfttechnology.com

Company's Address: 11966 Oak Creek Pkwy. Unit H Huntley IL 60142 U.S.A. www.lfttechnology.com

© L.T.F., L.L.C. All rights reserved. L.T.F. reserves the right to change specification for product improvements without notification.



L.T.F.

UniDriver Series Dimmable LED Driver

**75W DS75W-0000 120-277V UniDriver Series
Constant Voltage**

DIMMING OPTIONS

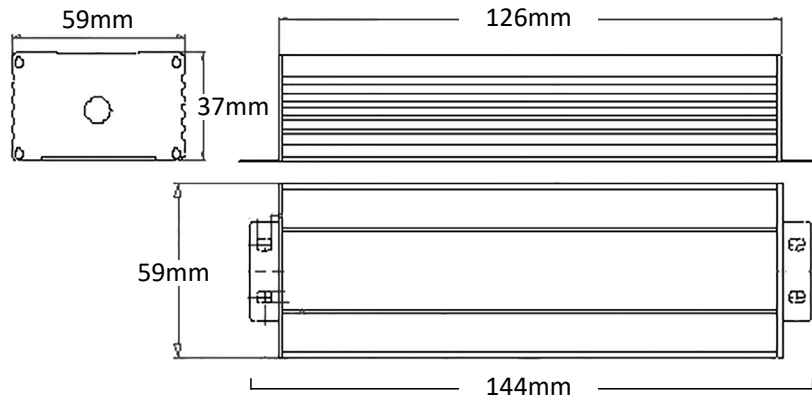
1. Optional DC Dimming Control:

- a. 0-10V DC Dimming Mode.
- b. Input Voltage Range 0-10Vdc, Output constant current Adjustable range: 10%-MAX.
When input >10V, constant current output for maximum value.
When input ≤ 0V (Include input open circuit), constant current output for 10%.
- c. Input impedance 5KΩ, dimming response time : 20ms.
- d. Input Current: MAX. 2mA.

MECHANICAL SPECIFICATIONS

Form Factor	Dimensions
"L19"	144 (126)x 59 x 37mm

L19



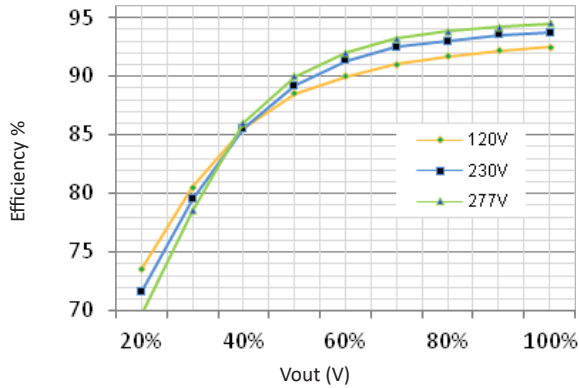
INSTALLATION SPECIFICATIONS

- Aluminum metal enclosure, Used with thermal conductivity and flame retardant glue potting.
- AC input for connection the three core ANSI/UL1015/AWG18 temperature 105 °C core copper wire connection, Cable Length: 150mm, Stripping on the tin: 10mm.
- DC output for connection the two core ANSI/UL1569/AWG14 temperature 105 °C core copper wire, Cable Length: 150mm, Stripping on the tin: 10mm.
- The dimmer control input is the two copper wires, ANSI/UL1569/AWG24 & temperature 105 ° C, Cable Length: 150mm, Stripping on the tin: 10mm.
- Where: 0-10V input — Purple wire, GND — Grey wire.
- This product has two Φ3.6mm mounting holes.

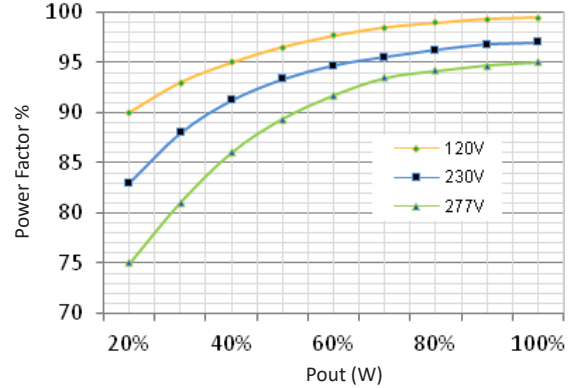


TECHNICAL SPECIFICATIONS

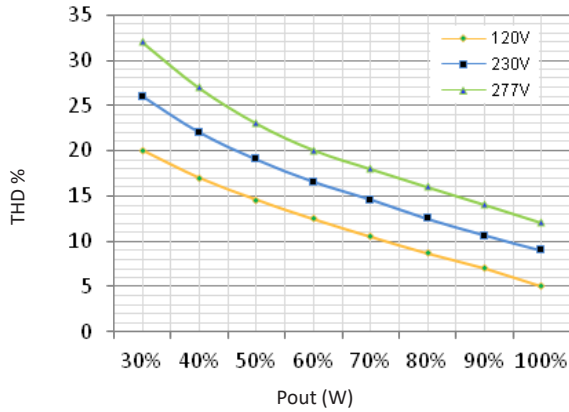
Efficiency vs. Vout at 80°C case



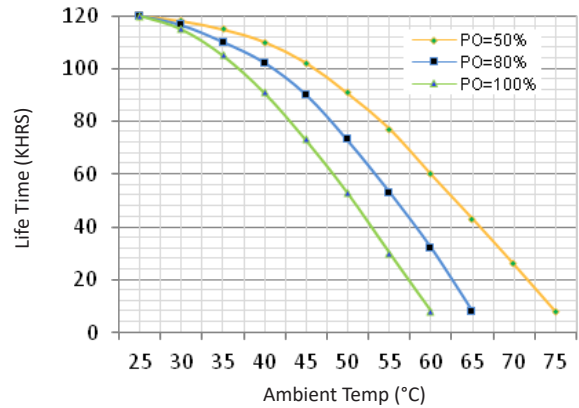
PF vs. Pout at 80°C case



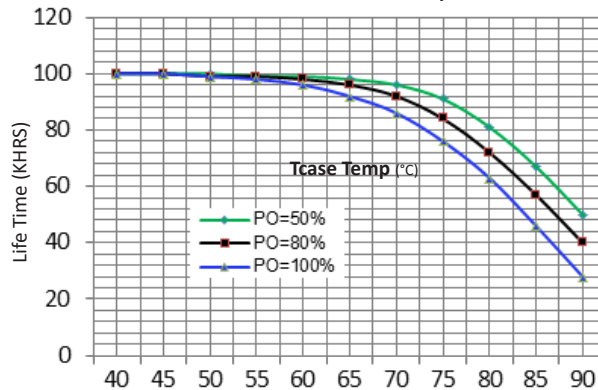
THD vs. Pout



Life Time vs. Ambient Temp



Life Time vs. Tcase Temp





L.T.F.

UniDriver Series Dimmable LED Driver



**75W DS75W-0000 120-277V UniDriver Series
Constant Voltage**

ELECTRICAL SPECIFICATIONS

- Input range: 90 to 305VAC
- Frequency: 47- 63HZ
- Power Factor: > 95% at full load.
- Inrush current: < 30A at 25C, 230V, cold start.
- Input current: 0.8A at 120V
- Efficiency: Up to 92% typical at 230Vac Full Load.
- Maximum power: 75W
- Load regulation accuracy: $\pm 4\%$, Current accuracy: $\pm 3\%$
- Start-up delay: 1000 ms at Worst case.
- Turn-on overshoot in the output current: < 10%.
- Ripple & Noise: < 20% Peak-peak 20MHz Bandwidth.
- Optional DC Dimming control: 0-10Vdc, 2mA, 2-wire.
- Optional RD Dimming control: 3-wire 50K Ω Resistance Dimming.
- Leakage current: 400uA (typical).
- Hold up time: half cycle.
- Output over-voltage protection function: Less than 1.3 times the maximum output voltage.
- Output over-current protection: Less than 1.1 times the maximum output current.
- Output short circuit protection: Unlimited short-circuit, or long-term short-circuit, self-recovery after withdrawal.
- Energy Star: No-load power consumption less than the fixed type constant current 0.5W (at 120V input).

ENVIRONMENTAL SPECIFICATIONS

1. Operating temperature: -30 to +60°C
2. Storage temperature range: -40 to +85°C
3. Humidity (non-condensing): 5% - 95%RH
4. Cooling: Free air cooling Convection
5. Vibration Frequency: 5-55Hz/2g, 30 minutes
6. Impact resistance: 1g/s
7. MTBF: 482,000 hours at full load and 40°C ambient conditions
8. LIFEL 500,000 hours at full load and 40°C ambient conditions
9. WARRANTY: 30,000 hours at full load and 40°C ambient conditions
10. EMC:

Compliant to CISPR 22 CLASS B, CISPR 14-1 CLASS B, GB4343. 1-2003, GB17625.1-2003

- Continuous interference voltage test conforming to GB4343-2003+A1, CISPR 14-1: 1997, EN55014-1:1997-5
- Intermittent interference voltage test conforming to GB4343-2003+A1, CISPR 14-1: 1997, EN55014-1:1997-5
- Interference power test conforming to GB4343-2003+A1, CISPR 14-1:1997, EN55014-1:1997-6
- Harmonic currents test conforming to GB4343-2003+A1, CISPR 14-1:EN 61000-3-2:1995
- RF Electromagnetic Field Immunity test conforming to GB/T13926.3, IEC61000-4-3, PrEN55014-2 Section 6.5
- Electrical fast transient/burst immunity test conforming to GB/T13926.4, IEC61000-4-4, PrEN55014-2 section 6.2
- Voltage dips and short interrupts immunity test conforming to IEC61000-4-11
- Voltage variations immunity test conforming to IEC61000-4-11
- Electrostatic discharge immunity test conforming to IEC61000-4-11



L.T.F.

UniDriver Series Dimmable LED Driver

**75W DS75W-0000 120-277V UniDriver Series
Constant Voltage**

DIMMING CHARACTERISTICS