



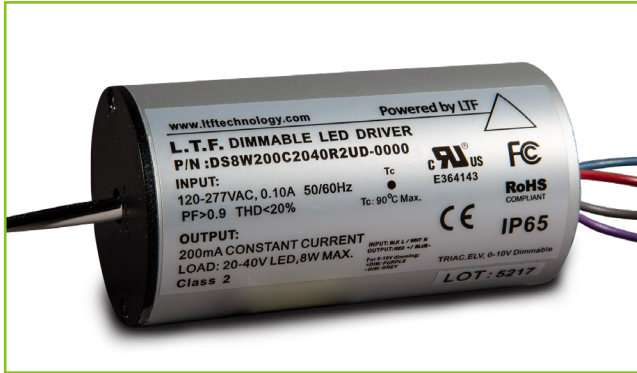
**L.T.F.**

## UniDriver Series Dimmable LED Driver

### 8W DS8W-0000 120-277V UniDriver Series Constant Current & Constant Voltage

**UNIDRIVER**

True Tri Mode Dimming • ELV, TRIAC & 0-10V • 100-277V



Efficiency	> 80%
Power Factor	> 0.9
Case TC	90°C Max.
Protection	Input / Output
Storage	-30°C / +90°C
Humidity	95% RH Max.
IP Rating	IP 65
Class	Class 2 Power Supply
Dimming	0-10V, TRIAC, ELV



**RoHS**



\* Ask for more information

### FEATURES

- Universal Input 120V-277V AC 50/60Hz
- **True Tri Mode Dimming** at all input voltages 0-10V, ELV & Triac
- Smooth, flicker free dimming 100%-0.1%
- Title 24 Compliant, AAA rating
- Aluminum casing for optimal heat dissipation
- Isolated output power per NEC and UL safety requirements
- UL & ETL recognized/ listed, meets UL 8750, 1310 requirements
- Auto-reset; short circuit, overload and thermal protection
- Low profile, small form factor, junction box mountable
- Class 2 power supply
- Efficient, High power factor > 0.90

### MODEL NUMBER KEY (Constant Current)

(L)	DS	96W	2800C	1834	BR1	UD	(REO)	-3002
UL Listed (Option)	Input Voltage DS = 120-277VAC DA = 120VAC DE = 277VAC DU = 220-240VAC	Wattage	2800mA Constant Current	18V-34V DC Output Voltage Range	Case Form Factor	UniDriver Series Tri-Mode Dimmable	Remote Enclosure RE = Indoor REO = Outdoor (Option)	Manufacturer Code

### ELECTRICAL SPECIFICATIONS

Constant Current					
Model #	Input Voltage	Wattage	Output Current	Output Voltage	Form Factor
DS8W100C4060D3UD-0000	120-277V AC, 0.10A, 50/60Hz	8W	100mA	40-60V DC	D3
DS8W150C3050D3UD-0000			160mA	30-50V DC	
DS8W200C2040D3UD-0000			200mA	20-40V DC	
DS8W250C1232D3UD-0000			250mA	12-32V DC	
DS8W300C0826D3UD-0000			300mA	8-26V DC	

L.T.F., L.L.C. PHONE: (847) 498-5832 FAX: (773) 337-5628 EMAIL: [LTFsales@lfttechnology.com](mailto:LTFsales@lfttechnology.com)

Company's Address: 11966 Oak Creek Pkwy. Unit H Huntley IL 60142 U.S.A. [www.lfttechnology.com](http://www.lfttechnology.com)

© L.T.F., L.L.C. All rights reserved. L.T.F. reserves the right to change specification for product improvements without notification.



8W DS8W-0000 120-277V UniDriver Series  
Constant Current & Constant Voltage

MODEL NUMBER KEY (Constant Voltage)

(L)	DS	96W	24V	BR1	UD	(REO)	-3002
UL Listed (Option)	Input Voltage DS = 120-277VAC DA = 120VAC DE = 277VAC DU = 220-240VAC	Wattage	24V DC Constant Voltage	Case Form Factor	UniDriver Series Tri-Mode Dimmable	Remote Enclosure RE = Indoor REO = Outdoor (Option)	Manufacturer Code

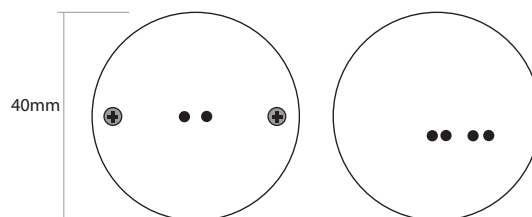
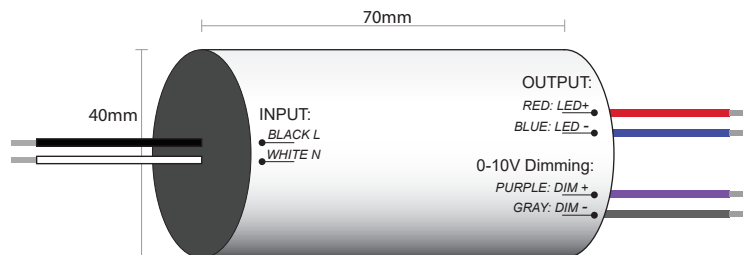
ELECTRICAL SPECIFICATIONS (Constant Voltage)

Constant Voltage					
Model #	Input Voltage	Wattage	Output Voltage	Load	Form Factor
DS8W12VD3UD-0000	120-277V AC, 0.10A, 50/60Hz	8W	12V DC	12V DC LED, 0.67A Max.	D3
DS8W24VD3UD-0000			24V DC	24V DC LED, 0.33A Max.	
DS8W36VD3UD-0000			36V DC	36V DC LED, 0.22A Max.	

MECHANICAL SPECS

Form Factor	Dimensions
"D3"	2 3/4" x 1 18/32" (OD) 70mm x 40mm(OD)

D3





**L.T.F.**

## UniDriver Series Dimmable LED Driver

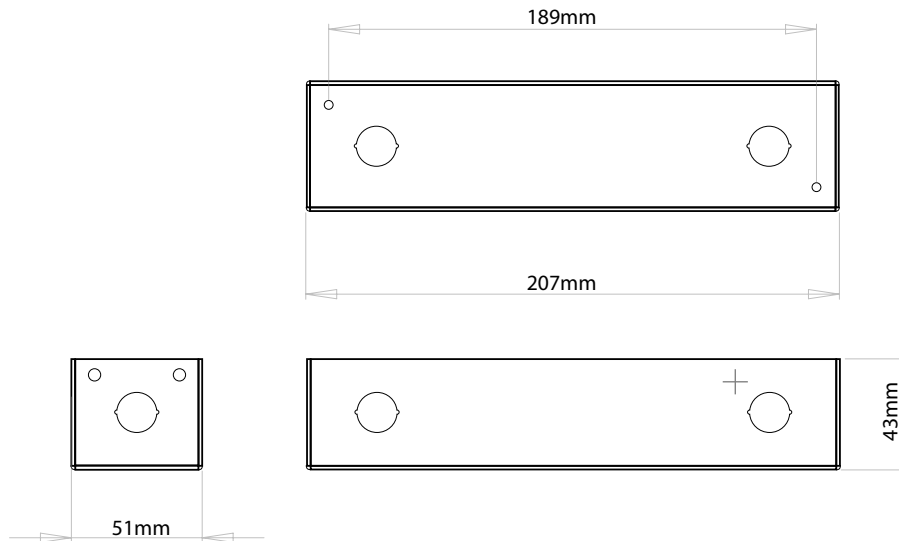
**8W DS8W-0000 120-277V UniDriver Series  
Constant Current & Constant Voltage**

### REMOTE ENCLOSURES - UL LISTED

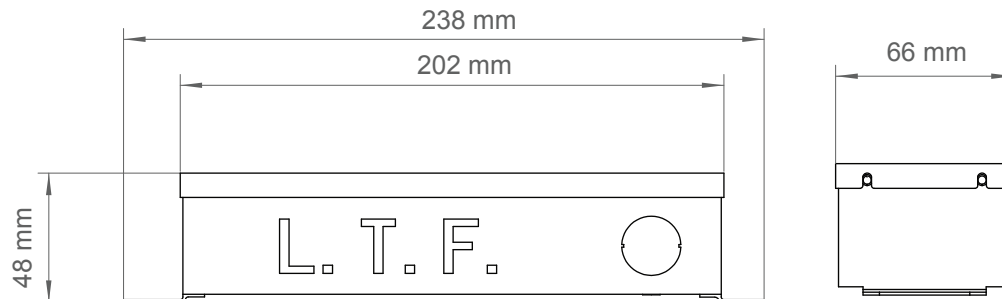
Model	Enclosure Type	Enclosure Dimensions
LDS8W-XXXX-D3-UD-RE-0000	G1 (Damp Rated)	207 x 51 x 43mm
LDS8W-XXXX-D3-UD-REO-0000	G4 (Wet Rated)	238 (202) x 66 x 48mm



### G1 INDOOR REMOTE ENCLOSURE



### G4 OUTDOOR REMOTE ENCLOSURE



L.T.F., L.L.C. PHONE: (847) 498-5832 FAX: (773) 337-5628 EMAIL: [LTFsales@ltftechnology.com](mailto:LTFsales@ltftechnology.com)

Company's Address: 11966 Oak Creek Pkwy. Unit H Huntley IL 60142 U.S.A. [www.ltftechnology.com](http://www.ltftechnology.com)

© L.T.F., L.L.C. All rights reserved. L.T.F. reserves the right to change specification for product improvements without notification.