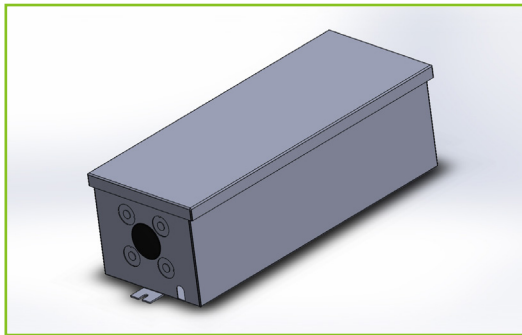




L.T.F.

Low Voltage Magnetic Transformer

MTA900W & MTE900W Series



Efficiency	80%
Power Factor	>0.98
Case TC	90° Max
Protection	Input / Output
Storage	-30°C / +90°C
Humidity	95% RH Max.
IP Rating	IP67
Dimming	Magnetic Low Voltage



RoHS



FEATURES

- No load technology, works with halogen & AC LED loads
- Multi-Tap Output 12V-15V AC, 24V-30V AC
- High Quality Toroidal Transformer Core
- Dimmable with magnetic low voltage dimmers
- Isolated output power per NEC, UL safety requirements
- Outdoor (-REO) models feature stainless steel case
- Industry-leading 25 year limited OEM warranty

ELECTRICAL SPECIFICATIONS

Model #	Wattage	Input	Output Current	Multi-Tap Output Voltage	Load	Case Type
MTA900WA1215VREO	900W	120V AC, 7.5A 50/60Hz	75A	12V - 15V AC	12V - 15V AC LED & Halogen	Outdoor (-REO) Stainless Steel
MTA900WA2430VREO			37.5A	24V - 30V AC	24V - 30V AC LED & Halogen	
MTE900WA1215VREO		277V AC, 3.23A 50/60Hz	75A	12V - 15V AC	12V - 15V AC LED & Halogen	
MTE900WA2430VREO			37.5A	24V - 30V AC	24V - 30V AC LED & Halogen	



L.T.F.

Low Voltage Magnetic Transformer

MTA900W & MTE900W Series



MECHANICAL SPECIFICATIONS

Form Factor	Dimensions
MTA9 (Outdoor -REO)	450.85 (430.21) x 178 x 142.71mm

NOTE: Unit must be mounted at least 1 foot above ground level with knockout holes facing downward.

MTA9 (OUTDOOR -REO)

