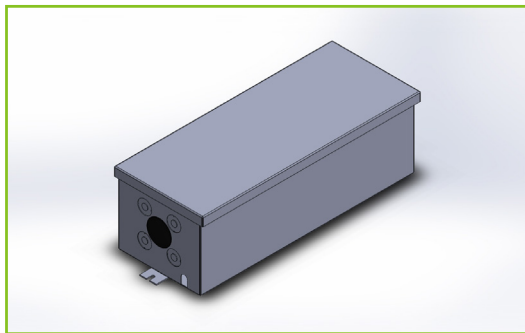




**L.T.F.**

# Low Voltage Magnetic Transformer

**MTA600W & MTE600W Series**



<b>Efficiency</b>	80%
<b>Power Factor</b>	>0.98
<b>Case TC</b>	90° Max
<b>Protection</b>	Input / Output
<b>Storage</b>	-30°C / +90°C
<b>Humidity</b>	95% RH Max.
<b>IP Rating</b>	IP67
<b>Dimming</b>	Magnetic Low Voltage



**RoHS**



## FEATURES

- No load technology, works with halogen & AC LED loads
- Multi-Tap Output 12V-15V AC, 24V-30V AC
- High Quality Toroidal Transformer Core
- Dimmable with magnetic low voltage dimmers
- Isolated output power per NEC, UL safety requirements
- Outdoor (-REO) models feature stainless steel case
- Industry-leading 25 year limited OEM warranty

## ELECTRICAL SPECIFICATIONS

Model #	Wattage	Input	Output Current	Multi-Tap Output Voltage	Load	Case Type
MTA600WA1215VREO	600W	120V AC, 5A 50/60Hz	50A	12V - 15V AC	12V - 15V AC LED & Halogen	Outdoor (-REO) Stainless Steel
MTA600WA2430VREO			25A	24V - 30V AC	24V - 30V AC LED & Halogen	
MTE600WA1215VREO		277V AC, 2.16A 50/60Hz	50A	12V - 15V AC	12V - 15V AC LED & Halogen	
MTE600WA2430VREO			25A	24V - 30V AC	24V - 30V AC LED & Halogen	



**L.T.F.**

**Low Voltage Magnetic Transformer**

**MTA600W & MTE600W Series**



**MECHANICAL SPECIFICATIONS**

Form Factor	Dimensions
MTA6 (Outdoor -REO)	450.85 (430.21) x 178 x 142.71mm

NOTE: Unit must be mounted at least 1 foot above ground level with knockout holes facing downward.

**MTA6 (OUTDOOR -REO)**

