



L.T.F.

Dimmable LED Driver - CLASS 2

60W DS60W-3002 120-277V UniDriver Series Constant Current & Constant Voltage

UNIDRIVER



Pictured: "BR2" Form Factor

Efficiency	> 84%
Power Factor	> 0.9
Case TC	90°C Max.
Protection	Input / Output
Storage	-30°C / +90°C
Humidity	95% RH Max.
IP Rating	IP67
Class	Class 2 Power Supply
Dimming	0-10V, TRIAC, ELV



RoHS



FEATURES

- Universal Input 120V-277V AC 50/60Hz
- Tri-Mode Dimming 0-10V, ELV & Triac type dimmers 0-100%
- Flicker free dimming
- Title 24 Compliant, AAA rating
- Aluminum casing for optimal heat dissipation
- Efficient, high power factor > 0.90
- Isolated output power per NEC and UL safety requirements
- UL & ETL recognized / listed, meets UL 8750, 1310 requirements
- Auto-reset; short circuit, overload and thermal protection
- Class 2 power supply



*Ask for more information

ELECTRICAL SPECIFICATIONS

Model #	Input Voltage	Wattage	Constant Current Output	Load	Form Factor
DS60W900C5263BR2UD-3002	120-277V AC, 0.7A, 50/60Hz	60W	900mA	52V - 63V DC LED	BR2
DS60W1000C4960BR2UD-3002			1000mA	49V - 60V DC LED	
DS60W1200C3950BR2UD-3002			1200mA	39V - 50V DC LED	
DS60W1400C3142BR2UD-3002			1400mA	31V - 42V DC LED	
DS60W1600C2637BR2UD-3002			1600 mA	26V - 37V DC LED	
DS60W1800C2233BR2UD-3002			1800mA	22V - 33V DC LED	
DS60W2100C1728BR2UD-3002			2100mA	17V - 28V DC LED	
DS60W2600C1223BR2UD-3002			2600mA	12V - 23V DC LED	
DS60W3000C0920BR2UD-3002			3000mA	9V - 20V DC LED	

L.T.F, L.L.C. PHONE: (847) 498-5832 FAX: (773) 337-5628 EMAIL: LTFsales@lfttechnology.com

Company's Address: 11966 Oak Creek Pkwy Unit H, Huntley, IL 60142 U.S.A. www.lfttechnology.com

© L.T.F, L.L.C. All rights reserved. L.T.F. reserves the right to change specification for product improvements without notification



L.T.F.

Dimmable LED Driver - CLASS 2

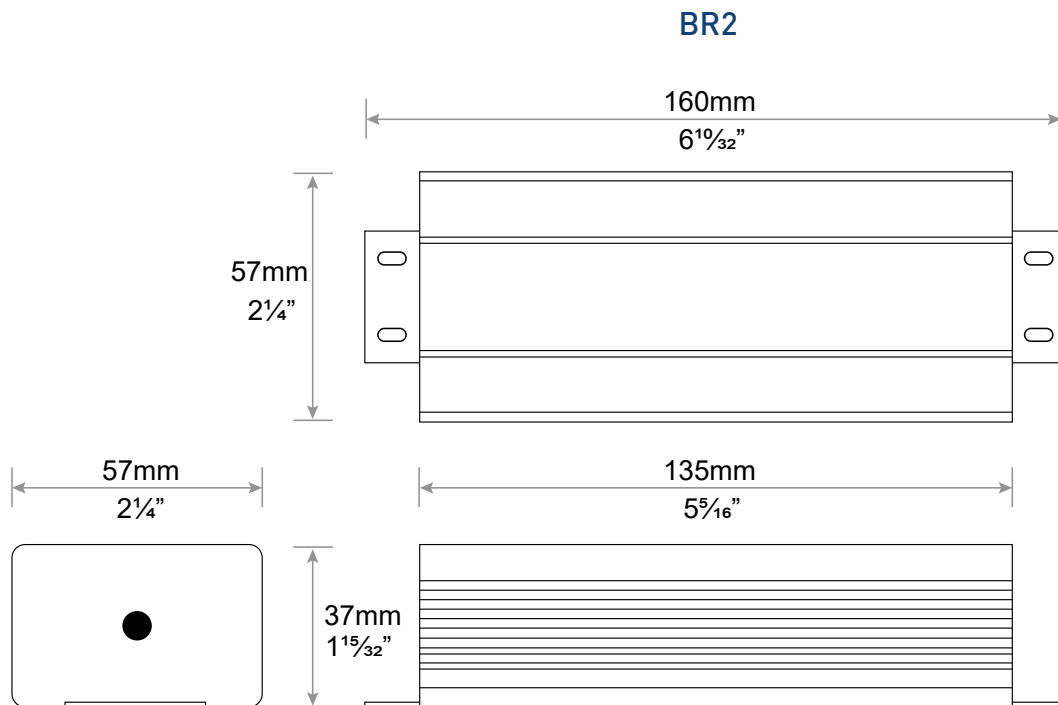
**60W DS60W-3002 120-277V UniDriver Series
Constant Current & Constant Voltage**

ELECTRICAL SPECIFICATIONS

Constant Voltage					
Model #	Input Voltage	Wattage	Output Voltage	Load	Form Factor
DS60W12VBR2UD-3002	120-277V AC, 0.7A, 50/60Hz	60W	12V DC	12V DC LED 5A Max.	BR2
DS60W24VBR2UD-3002			24V DC	24V DC LED 2.5A Max.	
DS60W36VBR2UD-3002			36V DC	36V DC LED 1.67A Max.	
DS60W48VBR2UD-3002			48V DC	48V DC LED 1.25A Max.	

MECHANICAL SPECS

Form Factor	Dimensions
"BR2"	160 (135) x 57 x 37mm





L.T.F.

Dimmable LED Driver - CLASS 2

**60W DS60W-3002 120-277V UniDriver Series
Constant Current & Constant Voltage**

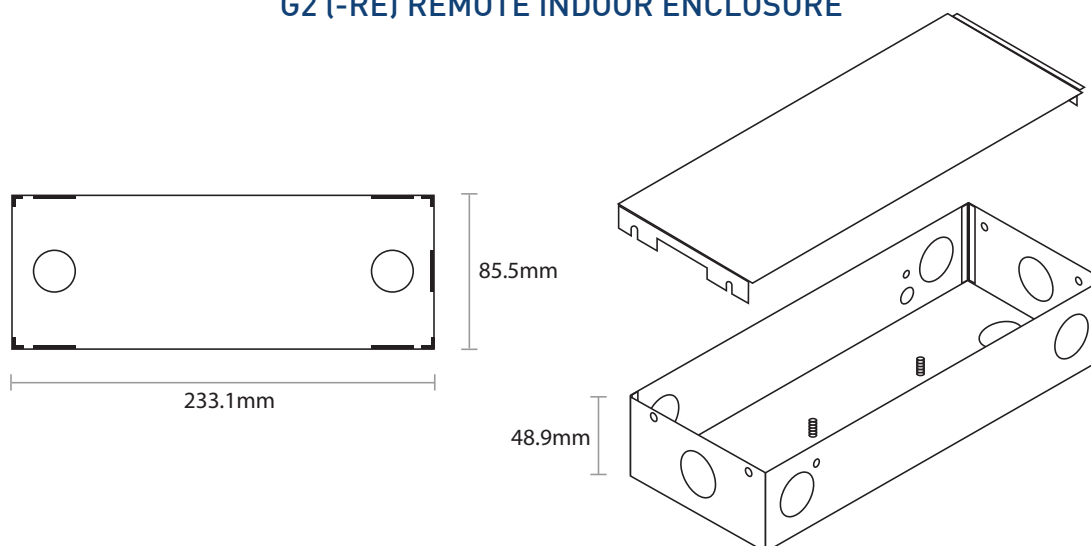


REMOTE ENCLOSURES - UL LISTED

Model	Enclosure Type	Enclosure Dimensions
LDS60W-XXXX-BR2UDRE-3002	G2 (Damp Rated)	233.1 x 85.5 x 48.9mm
LDS60W-XXXX-BR2UDREO-3002	G3 (Wet Rated)	280 (242) x 103 x 56mm



G2 (-RE) REMOTE INDOOR ENCLOSURE



G3 (-REO) REMOTE OUTDOOR ENCLOSURE

