



L.T.F

Dimmable LED Driver

15W DA15W-3001 Series 120V AC Constant Current & Constant Voltage



Efficiency	> 80%
Power Factor	> 0.90
Case TC	90°C Max.
Protection	Input / Output
Storage	-30°C / +90°C
Humidity	95% RH Max.
IP Rating	IP 44
Class	Class 2 Power Supply
Dimming	ELV, Triac



RoHS



FCC Part 15
Class B Compliant



* Ask for more information

FEATURES

- Fully dimmable with ELV & Triac dimmers
- Flicker free dimming
- Title 24 compliant
- Isolated output power per NEC and UL safety requirements
- UL & ETL recognized/ listed, meets UL 8750, 1310 requirements
- Aluminum casing for optimal heat dissipation
- Auto-reset; short circuit, overload and thermal protection
- Low profile, small form factor, junction box mountable
- Class 2 power supply
- Efficient, High power factor > 0.90

ELECTRICAL SPECIFICATIONS

Constant Current					
Model Number	Input	Wattage	Load	Output Current	Available Form Factors
DA15W200C3775-3001	120V AC 0.11A, 60Hz	15W	37-75V DC LED	200mA	T11, BF, BF1
DA15W250C2460-3001			24-60V DC LED	250mA	
DA15W300C1650-3001			16-50V DC LED	300mA	
DA15W350C1042-3001			10-42V DC LED	350mA	
DA15W400C0737-3001			7-37V DC LED	400mA	
DA15W450C0533-3001			5-33V DC LED	450mA	
DA15W500C0430-3001			4-30V DC LED	500mA	

Constant Voltage					
Model Number	Input	Wattage	Output Voltage	Load	Available Form Factors
DA15W12V-3001	120V AC 0.11A, 60Hz	15W	12V DC	12V DC LED 1.25A max.	T11, BF, BF1
DA15W24V-3001			24V DC	24V DC LED 0.625A max.	
DA15W48V-3001			48V DC	48V DC LED 0.313A max.	

**UL Listed Models Include External Remote Mount Case



L.T.F

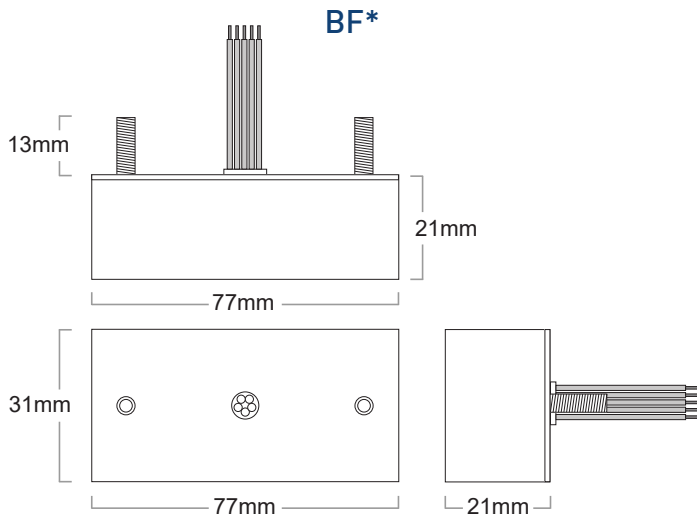
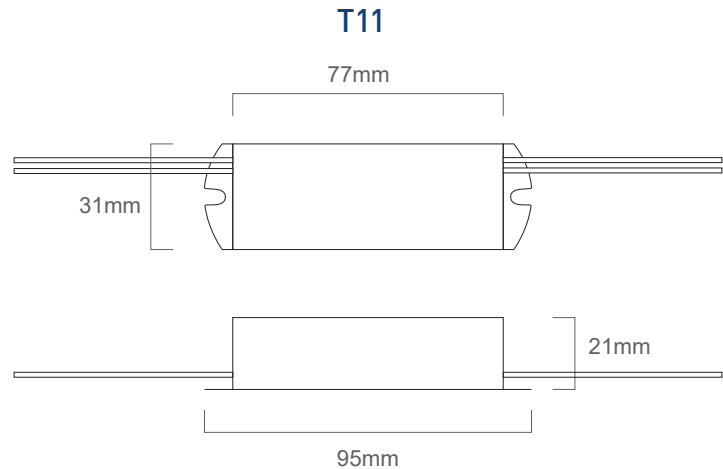
Dimmable LED Driver



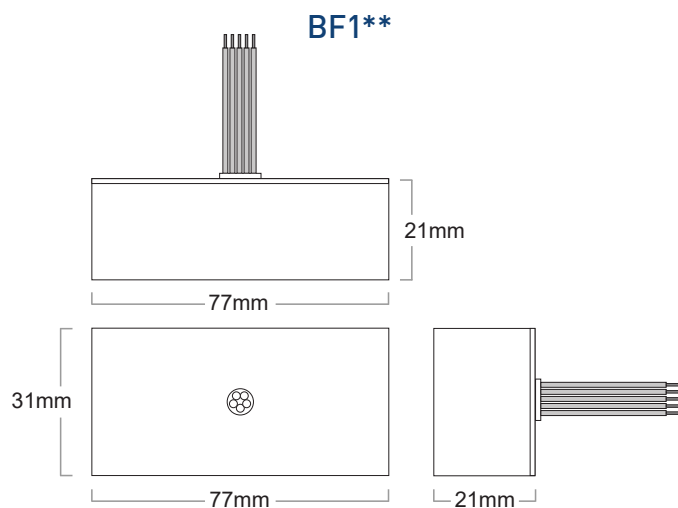
**15W DA15W-3001 Series 120V AC
Constant Current & Constant Voltage**

MECHANICAL SPECS

Available Form Factors	Dimensions
"T11"	95 (77) x 31 x 21mm
"BF"	77 x 31 x 21mm
"BF1"	77 x 31 x 21mm



*BF case includes 13mm mounting studs



**BF1 case does not include mounting studs

DA Series Dimmable LED Driver



L.T.F

Dimmable LED Driver

**15W DA15W-3001 Series 120V AC
Constant Current & Constant Voltage**

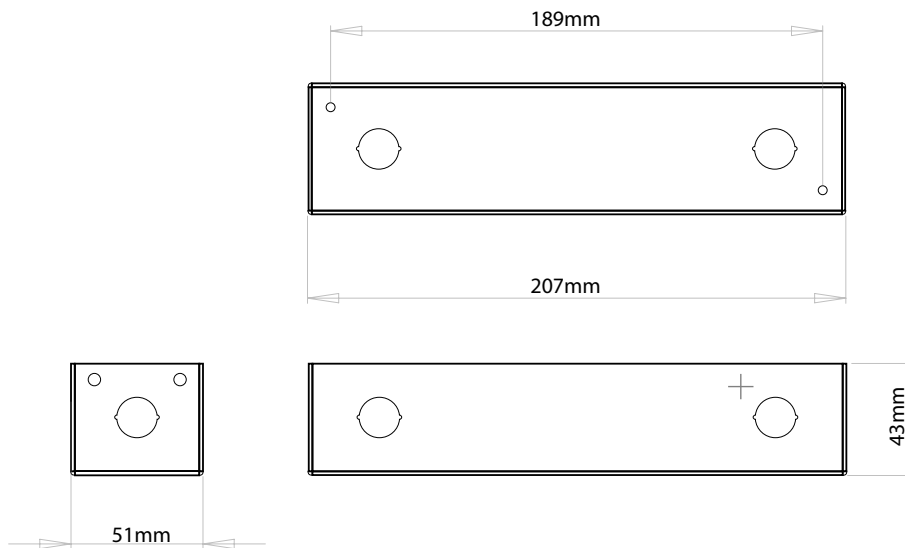


REMOTE ENCLOSURES - UL LISTED

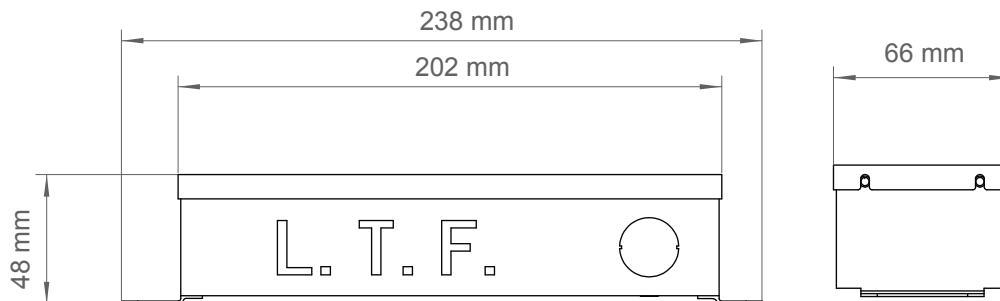
Model	Enclosure Type	Enclosure Dimensions
DA15W-XXXX-RE-3001	G1 (Damp Rated)	207 x 51 x 43mm
DA15W-XXXX-REO-3001	G4 (Wet Rated)	238 (202) x 66 x 48mm



G1 INDOOR REMOTE ENCLOSURE



G4 OUTDOOR REMOTE ENCLOSURE



DA Series Dimmable LED Driver